

DESCRIPTION

Special ceiling housing for Quiet Ceiling round trimless fixtures.
For 12V MR16 71 watts max.

For installation in non-plaster/drywall ceiling materials such as wood, marble or concrete. Insulation must be kept 3" from all sides and at least 1" above the housing.

Catalog #		Type
Project		
Comments		Date
Prepared by		

SPECIFICATION FEATURES

A...Housing

Housing and plaster frame: 18 gauge CRS with flat black powder coated internal finish. Aperture ring depth is factory configured to accommodate specified ceiling thickness.

B...System Protection:

Thermal protection provided to guard against overheating and misuse of insulation over and around fixture. Vent holes in housing provide cooler operation.

C...Electrical

Integral j-box and electronic or magnetic low voltage transformer. 120V or 277V input, 12V output. Junction box is U.L. listed for through branch wiring. Includes five 1/2 trade size knockouts (six knockouts when magnetic xfmr. is specified)

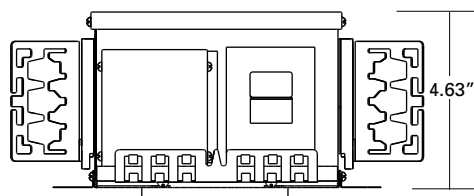
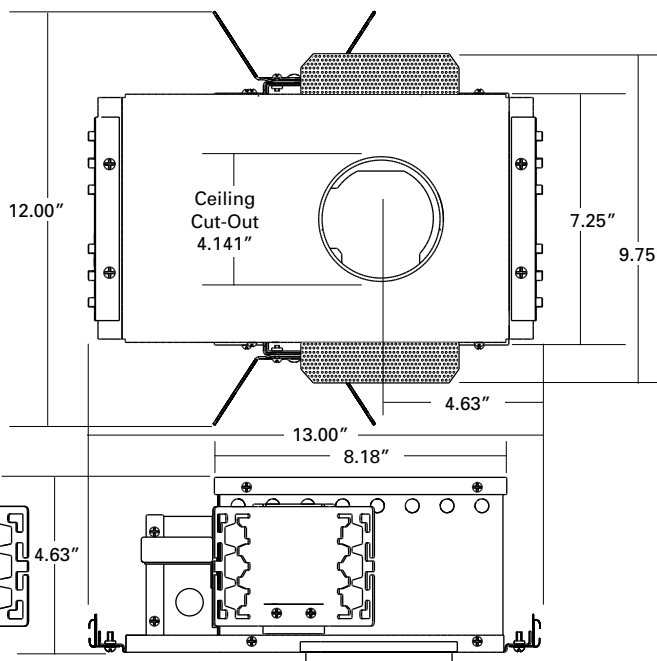
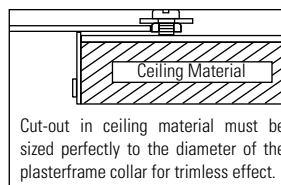
D...Lamp

12V MR16 71 watts max. (not included) Internal rotation ring with locking adjustment. Provides 360° rotation of trim and secures original trim position after relamping. "POSI-GRIP" bi-pin lamp socket for firm, mechanical lamp connection.

E...Mounting

Hanger Bars and Butterfly Brackets included for residential and commercial applications respectively. Perforated flaps for secure drywall installation.

Ceiling Cut-Out: 4.141" dia.



QUIET CEILING TRIMLESS

QCT906SP Special Ceiling Housing for Round Trim

FOR 12V MR16 71W max.



ORDERING INFORMATION

QCT906SP			
Housing QCT906SP = Quiet Ceiling Special Ceiling Housing for Round Trim w/ Integral Low Voltage Transformer	Transformer ELC = Electronic MAG = Magnetic	Voltage 120 = 120 volts primary 277 = 277 volts primary	Ceiling Thickness Specify - 2.25" max.