

PORTFOLIO

Installation Instructions for H17500QT4 and H17250QT4 Commercial Surface Cylinders and for H77500QT4 and H77250QT4 Wall Mount Cylinders

Figure 1

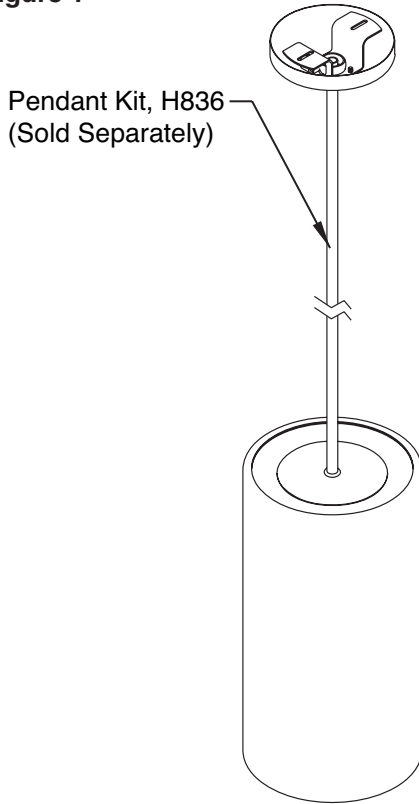
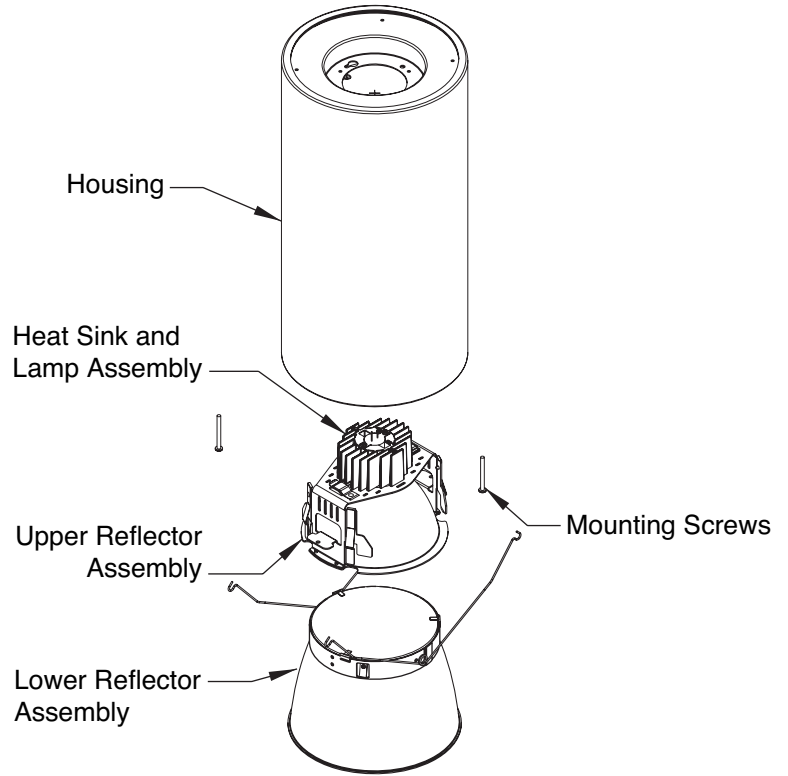


Figure 2



CAUTION: To avoid possible electrical shock, be sure that power supply is turned off before installing or servicing this fixture.

STEP 1:

STEM/CANOPY MOUNT (Figure 1)

- Secure canopy assembly to the outlet box with screws (included in the Pendant Kit).
- Attach stem to the canopy and to housing.
- Make wiring connections.

SURFACE MOUNT

- The cylindrical housing is attached to the outlet box (on ceiling) by using (2) mounting screws shown in **Figure 2**.
- Make wiring connections.

STEP 2: To Install Upper Reflector: Cut plastic tie wrap securing heat sink to bracket. Install quartz mini-can frosted lamp. Make sure the lamp wattage matches the markings on the heat sink.

WARNING: DO NOT handle quartz lamps with bare hands. Grease from fingerprints may cause premature end of life or shattering of lamp.

Install heat sink to upper reflector assembly carefully guiding lamp into reflector opening (**Figure 3**). Rotate heat sink until flanges are seated under retention springs (**Figure 4**). Insert this completed assembly into the cylindrical housing until seated securely.

Figure 3

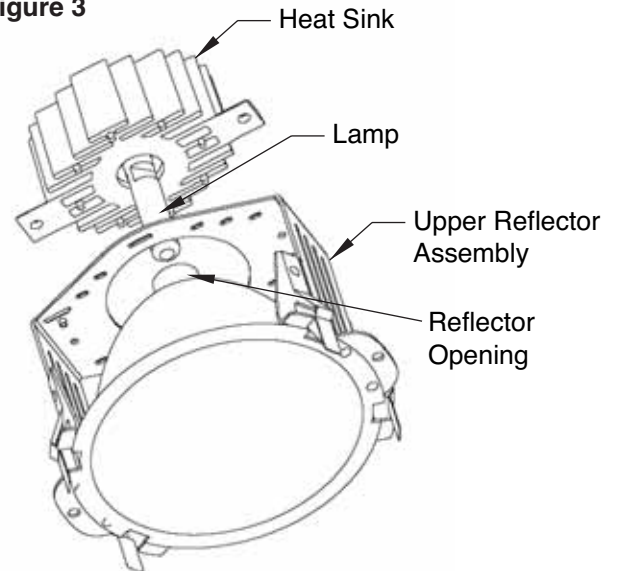
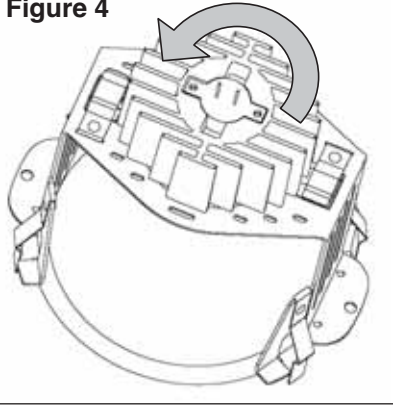


Figure 4



TO INSTALL LOWER REFLECTOR ASSEMBLY

STEP 3: Attach safety tether from lower reflector assembly to mounting bracket inside the can via clip. Reflector Assembly is held in place with torsion springs that pass through slots inside the can. (**Figure 5**)

WALL MOUNT ONLY

STEP 4: Install wall housing/wall bracket shown in **Figure 6** over the outlet box on the wall.

STEP 5: Using the (2) screws shown in **Figure 5**, secure the assembly to the outlet box.

STEP 6: Make wiring connections.

STEP 7: Follow steps 2-3 for trim installation.

RELAMPING: Allow sufficient time for the lamp to cool. Relamping can be performed from below the fixture.

To relamp from below the fixture: Remove lower trim and then remove upper reflector by pressing the four retention springs inward (**Figure 7**). Rotate heat sink to clear retention springs and carefully separate from reflector assembly. Replace lamp and reassemble as described in steps 1-4.

CLEANING: First, gently wipe with a soft, clean, dry lint-free cloth to remove loose dust. Then, use mild detergent solution on a soft cloth to remove finger prints and stains. Rinse with clean, soft water and dry with lint-free cloth.

Figure 5

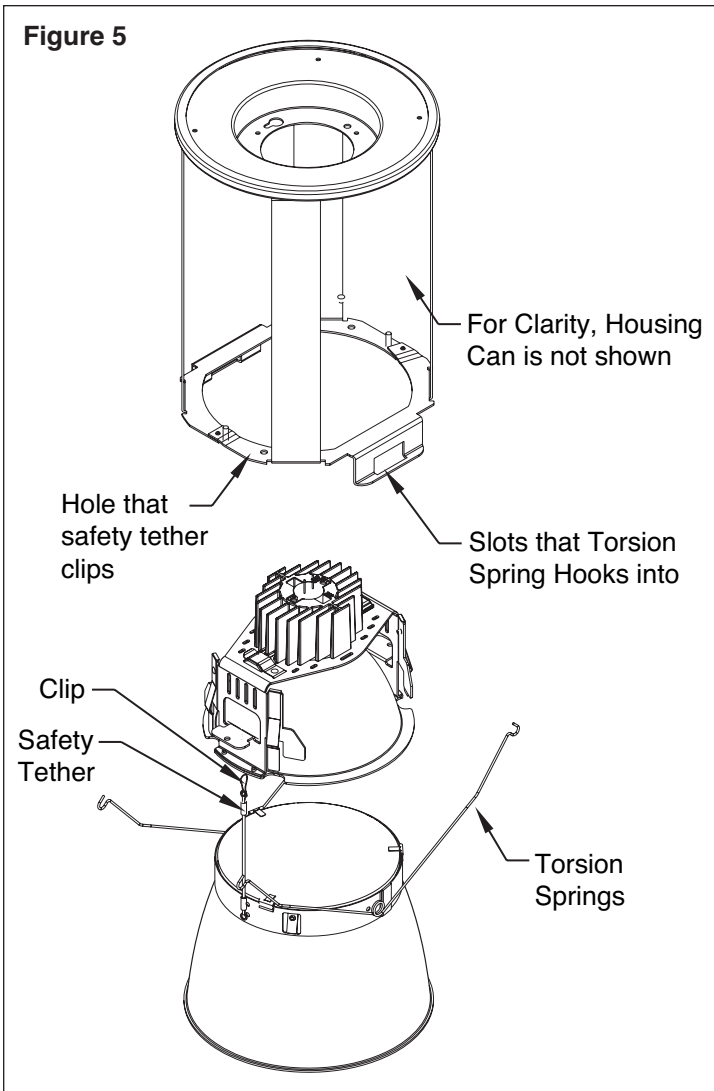


Figure 6

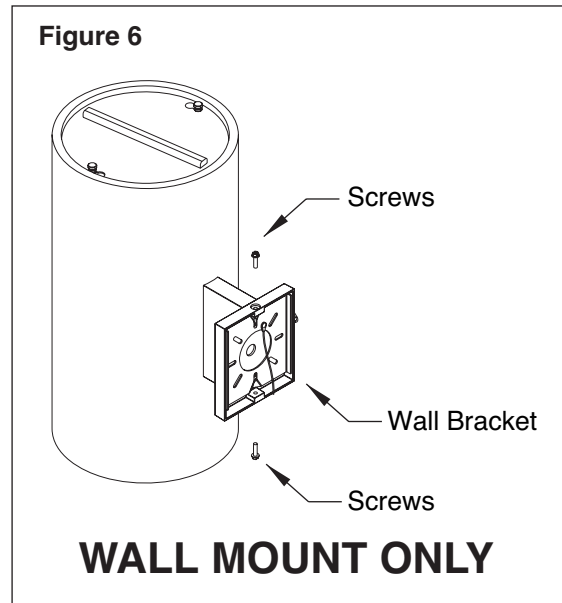


Figure 7

Depress these 4 retention springs to install/remove the upper trim.

