

DESCRIPTION

The Nimbus II Wall series offers simple design and flexibility without sacrificing performance. Multiple lamp configurations in T8 and T5 high output fluorescent provide maximum flexibility for the architectural environment. Nimbus II creates a comfortable and uniformly balanced environment. All of these elements combined make the Neoray Nimbus II an excellent selection for private offices, open office areas, VDT workspaces, classrooms and corridors.

Catalog #		Type
Project		
Comments		Date
Prepared by		

SPECIFICATION FEATURES

A ... Construction

Housing is one-piece, die-formed, cold rolled steel, forming a 7" x 2-1/2" architectural profile. Perforated sections are 33% open with .1563" staggered hole pattern and opal diffuser. Standard 4'-0" and 8'-0" luminaire lengths combine for continuous runs.

B ... End Caps

Standard end caps are precision die-cast aluminum mechanically attached without exposed fasteners.

C ... Reflectors

Reflector is die-formed, semi-specular anodized aluminum.

D ... Electrical

Luminaires are prewired with quick wire connectors and use UL list Class P, 265ma T8 electronic ballasts. Power factor of 95% with less than 20% THD. Fixtures and electrical components certified to UL and CUL standards.

E ... Finish

Luminaire housings are standard white using electrostatically applied acrylic powder coat paint.

Mounting

Fixture mounts directly to existing structure over a 2" x 4" standard electrical box mounted horizontally in the wall. Refer to installation section for details.

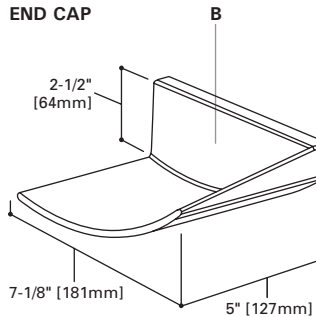
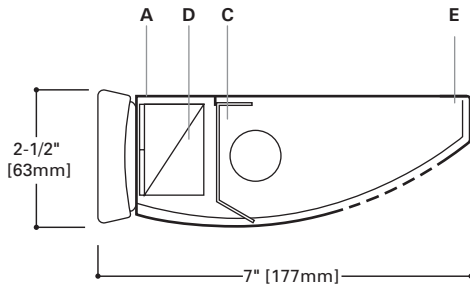


Nimbus II 701-IW

2T8

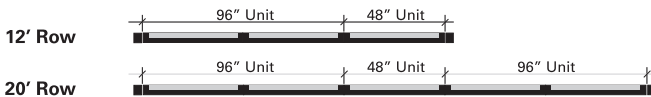
WALL-MOUNT
SEMI-INDIRECT

Light Distribution
Indirect - 95.7%
Direct - 4.3%

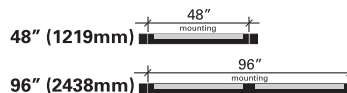


MODULAR ROW CONFIGURATION

- Standard length sections join easily to create rows.
- Sections align with T-grid.
- All sections prewired for through-wiring with quick connectors.



STANDARD LUMINAIRE LENGTHS



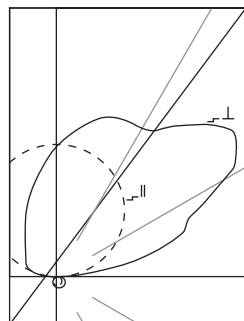
ORDERING INFORMATION

SAMPLE NUMBER: 701IW-SP-2T8-1C-1-SU-WA-24

701IW	S	P	2	T8	1		SU-WA	
Series 701IW=Nimbus II Wall Mount	Optics Up S=Specular	Optics Down P=Perforated	Number of Lamps (not included) 1=1 Lamp 2=2 Lamps	Lamp Type (Length) T8=32W (4' Unit)	Number of Circuits ¹ 1=1 Circuit	Voltage ¹ 1=120V 2=277V 3=347V U= Universal	SU-WA= Surface/Wall Mount	Run Length Individual or continuous runs will be configured with 4' and 8' sections only (see sample catalog #)
					Wiring ¹ C=Standard Circuit D=Dimming E=Emergency/Night Light B=Battery Pack			

¹ Due to various constraints, some options may not be combined with others. Please consult your Cooper Lighting Representative for availability.

PHOTOMETRICS



Coefficients of Utilization

rc	Effective floor cavity reflectance												0					
	80%				70%				20%									
rw	70	50	30	10	70	50	30	10	50	30	10	50	30	10	50	30	10	
0	60	60	60	60	52	52	52	52	36	36	36	22	22	22	09	09	09	03
1	55	52	50	48	47	45	43	41	31	30	29	19	18	18	08	07	07	02
2	49	45	42	39	43	39	36	34	27	26	24	17	16	15	07	06	06	02
3	45	40	36	32	39	34	31	28	24	22	20	15	14	13	06	06	05	02
4	41	35	31	27	35	30	27	24	21	19	17	13	12	11	05	05	04	01
5	38	30	26	23	32	27	23	20	19	16	15	12	10	09	05	04	04	01
6	35	28	23	20	30	24	20	17	17	14	13	10	09	08	04	04	03	01
7	32	25	20	17	27	21	18	15	15	13	11	09	08	07	04	03	03	01
8	29	22	18	15	25	19	15	13	14	11	09	09	07	06	03	03	02	01
9	27	20	16	13	23	17	14	11	12	10	08	08	06	05	03	03	02	01
10	25	18	14	11	22	16	12	10	11	09	07	07	06	05	03	02	02	01

Candela

Angle	Along II	45°	Across ⊥
0	28	28	28
5	27	29	30
15	26	32	35
25	23	33	37
35	20	29	36
45	15	29	35
55	11	24	32
65	3	20	27
75	0	12	24
85	0	6	13
90	0	3	7
95	16	58	34
105	101	323	352
115	187	536	518
125	266	611	773
135	334	569	778
145	391	560	658
155	435	579	615
165	464	563	597
175	478	505	516
180	473	473	473

701IW-SP-2T8
(1) F32T8/TL841
3000 Lumens

Efficiency 62.3%

Test Report
#LS116234

Zonal Lumen Summary

Zone	Lumens	%Lamp	%Fixture
0-30	21	.72	1.16
0-40	34	1.16	1.87
0-60	60	2.01	3.22
0-90	79	2.65	4.25
40-90	44	1.48	2.38
60-90	19	.64	1.03
90-180	1789	59.65	95.75
0-180	1868	62.29	100.00

Luminance Data

Angle in Deg	0-Deg cd/sm	45-Deg cd/sm	90-Deg cd/sm
45	373	554	592
55	337	504	610
65	125	488	577
75	0	371	590
85	0	242	388

STANDARD BATTERY AND EMERGENCY/NIGHTLIGHT LOCATIONS

