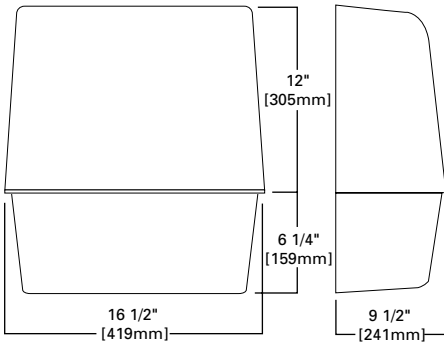


COOPER LIGHTING - LUMARK®

DIMENSIONS



DESCRIPTION

The Lumark MON-4 features a injection-molded polycarbonate housing / lens and a die-cast aluminum back plate for rugged durability. U.L. Listed for wet locations. CSA certified.



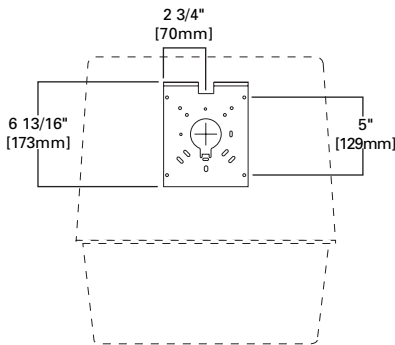
M4 MON-4

70 - 400 W

High Pressure Sodium
Pulse Start Metal Halide
Metal Halide

CUTOFF WALL MOUNT
LUMINAIRE

MOUNTING DETAILS



ORDERING INFORMATION

SAMPLE NUMBER: MHM4-P-400-MT-LL

Lamp Type MH=Metal Halide ¹ HP=High Pressure Sodium ² MP=(CWA) Pulse Start Metal Halide ^{2,3}	Product Family M4=Mon-4	Lens Type P=Polycarbonate ⁴ GL=Borosilicate Glass	Lamp Wattage 70=70W 100=100W 150=150W 175=175W 200=200W ⁵ 250=250W 320=320W ⁵ 350=350W ⁵ 400=400W	Voltage⁶ 120V 208V 240V 277V 347V 480V MT=Multi-Tap ⁷ TT=Triple-Tap ⁸ 5T=5-Tap ⁹	Options & Accessories (See Below)
--	-----------------------------------	---	--	--	---

Options¹⁰

Q=Quartz Restrike (Cold Start)
 EM=Quartz with Time Delay (Hot and Cold Start)
 F1=Single Fuse (120, 277 or 347V) Specify Voltage
 F2=Double Fused (208, 240 or 480V) Specify Voltage
 PE=Photocontrol (Specify Voltage)
 LL=Lamp Included¹¹
 QLL=Quartz Lamp Included

Accessories¹²

SD2925=Screwdriver for Tamper-resistant Screws

LAMP TYPE	WATTAGE
Metal Halide	70, 100, 175, 250, 400W
Pulse Start Metal Halide	175, 250, 320, 350, 400W
High Pressure Sodium	70, 100, 150, 250, 400W

NOTES: 1 All lamps are mogul-base except 150W Metal Halide and lower are medium-base. 2 Not available in 175W. 3 175, 200, 250, 320, 350 and 400W only. Limited lamp availability, consult factory. 4 Maximum lamp wattage, 250W High Pressure Sodium and 175W Pulse Start Metal Halide & Metal Halide. 5 Pulse Start Metal Halide only. 6 Product also available in non-US voltages and 50Hz for international markets. Consult factory for availability and ordering information. 7 Multi-Tap ballast is 120/208/240/277 wired 277V. 8 Triple-Tap ballast is 120/277/347V wired 347V. 9 5-Tap Ballast is 120/208/240/277/480V wired 480V. 400W Metal Halide only. 10 Add as suffix in the order shown. 11 Lamp is shipped separate from luminaire. Lamp is Cooper designated product based on luminaire requirements. Specified lamps must be ordered as a separate line item. 12 Order separately. 13 Consult your Cooper Lighting Representative for availability and ordering information. 14 Specifications and dimensions subject to change without notice.

- One-piece, heavy-duty, die-cast aluminum housing is finished in dark bronze polyester powder coat
- Normal or high power factor compact coil and core ballast with class H insulation
- Anodized aluminum reflector is designed for optimum light control and sharp cutoff (adjustable from 70° to 86°)
- Mogul-base porcelain enclosed screw-shell socket, except 150W MH and lower which is medium-base
- Closed-cell high-temperature silicone gasketing seals out external contaminants
- Lens lowers on spring-loaded retaining wires for quick access to internal components during relamping and maintenance
- U.L. listed for wet locations. CSA certified
- Approximate net weight: 47 lbs. (21 kgs.)