

DESCRIPTION

A series of understated, balanced lampholders that come in a variety of lamp types. The Stasis family of lampholders feature die cast bodies with elegant free flowing lines. This Ceramic Metal Halide T6 Wall Wash lampholder is perfect for those applications where performance is required from a discreet source.

Catalog #		Type
Project		
Comments		Date
Prepared by		

SPECIFICATION FEATURES

A ... Quick-Lock Adapter

Attaches electrically and mechanically anywhere along track. Includes discreet locking tab that locks lampholder on track and allows for easy removal and repositioning. Two position conductor allows use in single circuit and either circuit of two circuit track.

B ... Lockable Aiming

Lampholder tilt and rotation can be locked in place easily with the included 1.5mm allen wrench.

C ... Switch

On-off switch allows power to be turned off during lamp replacement on individual lampholders.

D ... Ballast Housing

Die cast and extruded aluminum housing incorporates the lamp control circuit.

E ... Lamp Housing

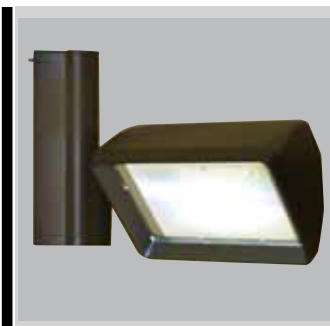
Aluminum die cast lamp housing has an integral reflector providing an even wash of illumination. Features decorative hinged bezel that swings open for easy lamping.

F ... Lampholder Arm

Arm allows the lamp housing tilt to adjust +/-90°. It also pivots +/-90° around the ballast housing. This enables the ballast housing to remain static on the track creating a clean look, while providing full aiming capabilities. The arm employs graduations every 15° for precise and repeatable tilt aiming. Indicator mark on the bottom ensures perfect lamp housing alignment with track.

Labels

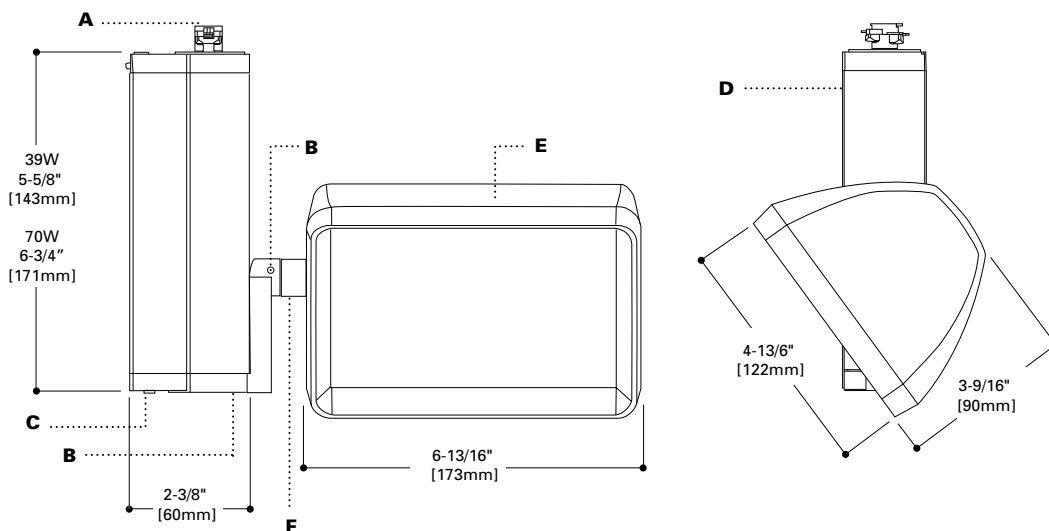
UL/c-UL Listed for use with Halo Power-Trac and Lazer Track.



L505WW6 Stasis

Wall Wash
39W and 70W
Ceramic Metal Halide T6

Power-Trac



Energy Data

Input Power: 39W: 45W
70W: 77W
Power Factor: >0.95
Input Current: 39W: 0.37A
70W: 0.65A
Harmonic Distortion: <10%

ORDERING INFORMATION

L	5	05	WW	6		
Track L=Halo Track	Lamp Type 5=Metal Halide	Series 05=Stasis	WW=Wall Wash	Lamp 6=T6 CMH (Lamp Not Included)	Wattage 39=39W T6 CMH 70=70W T6 CMH	Finish P=White MB=Black AH=Aluminum Haze
LVR505WW P, AH, MB=Louwer						

Test No. P10436
L505WW670
 Wall Wash
 Lamp=(1) 70W T6
 CMH
 Lumens=6600
 30° Aiming Angle

DD	Distance From Fixture Along Wall					
	1'	2'	3'	4'	5'	6'
1	88	77	51	25	8	4
2	90	82	62	36	17	8
3	84	80	65	53	21	12
4	74	73	62	54	39	15
5	53	54	49	41	40	23
6	33	33	30	27	24	22
7	21	21	20	18	16	15
8	14	14	13	12	11	10
9	9	9	9	8	7	6
10	6	6	6	6	5	4

DD	Spacing Between Fixtures					
	4'	5'	6'	7'	8'	9'
1	104	105	104	95	74	95
2	126	133	126	107	108	107
3	132	144	132	109	123	109
4	158	145	158	107	122	107
5	143	121	143	102	102	102
6	92	86	92	81	70	81
7	61	67	61	55	47	55
8	43	48	43	37	35	37
9	32	33	32	25	27	25
10	25	24	25	18	20	18

DD	Distance From Fixture Along Wall					
	1'	2'	3'	4'	5'	6'
1	34	32	25	17	8	3
2	54	51	41	32	18	10
3	50	48	40	33	24	11
4	48	46	41	35	30	16
5	45	45	41	35	32	25
6	35	35	33	30	26	25
7	27	27	27	24	21	20
8	18	18	18	17	15	14
9	13	13	13	12	11	10
10	10	10	10	9	8	7

DD	Spacing Between Fixtures					
	4'	5'	6'	7'	8'	9'
1	52	53	51	41	43	41
2	93	93	93	76	76	76
3	103	99	103	74	80	74
4	116	102	116	82	86	82
5	120	108	120	98	88	98
6	100	107	100	92	77	92
7	82	97	82	74	66	74
8	62	70	62	52	54	52
9	50	50	50	38	43	38
10	39	38	39	29	33	29

Test No. P10436
L505WW670
 Wall Wash
 Lamp=(1) 70W T6
 CMH
 Lumens=6600
 40° Aiming Angle

DD	Distance From Fixture Along Wall					
	1'	2'	3'	4'	5'	6'
1	116	103	73	33	15	6
2	129	118	91	55	21	12
3	124	121	99	87	32	18
4	79	79	68	59	47	18
5	44	44	39	33	30	17
6	23	23	21	18	16	14
7	13	13	12	11	10	9
8	9	8	8	7	6	5
9	6	6	6	5	5	4
10	5	4	4	4	3	3

DD	Spacing Between Fixtures					
	4'	5'	6'	7'	8'	9'
1	148	152	148	129	111	129
2	174	194	174	154	168	154
3	194	220	194	162	191	162
4	181	162	181	118	132	118
5	112	97	112	80	80	80
6	62	59	62	54	47	54
7	39	42	39	34	30	34
8	27	29	27	23	22	23
9	20	21	20	16	17	16
10	16	15	16	12	13	12

DD	Distance From Fixture Along Wall					
	1'	2'	3'	4'	5'	6'
1	67	63	48	33	17	8
2	69	65	53	42	22	12
3	75	73	63	53	39	15
4	70	70	62	53	49	24
5	53	54	49	43	41	34
6	33	33	31	28	24	23
7	21	21	20	18	16	15
8	13	13	12	11	10	9
9	9	9	8	8	7	6
10	6	6	6	5	5	4

DD	Spacing Between Fixtures					
	4'	5'	6'	7'	8'	9'
1	104	104	104	84	85	84
2	118	123	118	95	101	95
3	160	148	160	109	122	109
4	180	154	180	122	130	122
5	150	131	150	126	109	126
6	94	99	94	84	72	84
7	62	70	62	56	50	56
8	43	47	43	36	36	36
9	32	32	32	25	27	25
10	24	23	24	18	19	18

Notes:

- Illuminance values for multiple fixtures are based upon the center two units of a four unit array. Footcandle values are centerline of fixtures and centered between fixtures. 1 footcandle = 10.76 lux. 1 foot(°) = 304.8mm.
- Illuminance values are cosine corrected initial values with no contribution from inter reflections from other room surfaces. Total illumination may increase from contributions from other surfaces.
- Changing fixture spacing will affect illuminance level.

$$\frac{\text{Existing Spacing}}{\text{New Spacing}} \times \text{Average Table Fc Level}$$
- 39W Multiplier = .5

