

DESCRIPTION

The Fail-Safe Harmony VR Oval series provides exceptional aesthetics with remarkable strength. The wide variety of products allows an interior and exterior theme throughout the entire facility. ADA COMPLIANT is available up to 42W maximum. Die-cast extra-heavy aluminum walls of the housings offer rugged durability and afford efficient heat dissipation. The combination of narrow prismatic blondels on the interior and a prescription texture on the exterior of the lens provides exceptional lamp obscuration. The Eyelid option provides an excellent cutoff for the luminaire. The Harmony VR family carries a Lifetime Warranty against breakage.

| | | |
|-------------|--|------|
| Catalog # | | Type |
| Project | | |
| Comments | | Date |
| Prepared by | | |

SPECIFICATION FEATURES

Reflectors

All Harmony VR Oval luminaires are provided with a white polyester powder coat reflector with 94% total reflectivity. 70W and higher HID lamps use highly specular aluminum material.

Housing

Precision .125" thick heavy-duty die-cast aluminum housing promotes durability and efficient heat dissipation through integral ballast heat sinks. Marine-grade low copper alloy aluminum resists corrosion. Back casting in 3 sizes to accommodate high wattage HID and CFL lamp capabilities.

Lens

One-piece injection molded polycarbonate, .125" thick or optional .250" thick borosilicate glass. In clear prismatic or opal (polycarbonate only), the lens is scientifically designed to obscure lamp image while maintaining efficiency. The state-of-the-art design consists of an internal prism designed to spread the light evenly, in combination with a texture prescription on the exterior of the polycarbonate lens. This new design concept substantially reduces glare. Attached with 4 recessed stainless-steel tamper resistant center pin reject TORX® fasteners.

Sockets/Ballasts

HID and incandescent sockets are porcelain medium base sockets with nickel-plated brass screw shell. HID ballasts are standard magnetic HPF, with a minimum starting temperature of -40°C (-40°F) for HPS and -30°C (-20°F) for MH. Electronic ballast with universal voltage 120-277V standard with T6 MH lamps and are optional for 50W and 70W MH ED17 lamps. Compact fluorescent sockets are polycarbonate and incorporate 26-watt GX24q3; 32-watt GX24q3; 42-watt GX 24q4; 57-watt GX24q5; or 70-watt GX24q6 base with a 2-pin reject that ensures proper lamping. Compact Fluorescent ballasts are electronic, universal voltage 120-277V less than 10% harmonic distortion, with minimum starting temperatures of 0°C (32°F) for 26, 32, 42W and -18°C (0°F) for 57 and 70W.

Decorative Faces

Border, Vertical Eyelid, Horizontal Eyelid, Short Band, Long Band and Four Quadrant faces consist of high-impact, injection molded, .125" minimum thickness, polycarbonate overlay attached to the lens with stainless steel fasteners. Polycarbonate lens and overlay

attach to housing with four recessed TORX® fasteners. Custom faces available-consult Cooper Lighting Representative.

Finish

Injection molded color is matte black standard or matte white painted. The VariColor option is available on all decorative faces. VariColor paint option allows perfect matching to official organizational color(color chip requested for correct match).

Die-cast Housing Finish

Polyester-powder coat paint is applied in a five-stage process at 2.0-mil thickness and baked to 400°F. The finish is TGIC, textured, thermoset, and polyester powder coat. Finish is 500-hour-salt-spray test rated and has an impact rating of 160 inch-pounds.

Gasket

Extruded silicone O ring gasket provided on die-cast components to provide additional sealing against entry of water and bugs. On Borosilicate Glass lens a one-piece molded silicone gasket is mechanically fastened to lens assembly to provide consistent seal between lens and housing. Die-cut sponge gasket provided for seal against wall and connector box. Fully gasketed assembly is IP66 rated for maximum protection from dirt and water.

Lamps

All metal halide fixtures with polycarbonate lenses will be shipped with UV-Guard lamps-standard. All other units supplied less lamp unless specified with "L" option.

Labels

UL and CUL listed for wet location standard. High Pressure hose down rated for 200 PSI. Available to mount on combustible or non-combustible surfaces. See notes for maximum lamp wattages and mountings.



Oval SERIES HARMONY VR 15"

50W - 100W

High Pressure Sodium
Metal Halide
ADA COMPLIANT
42W MAX

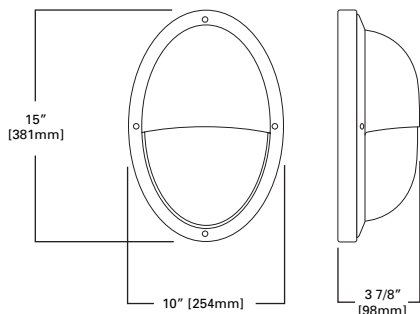
40W - 75W

Incandescent

26W - 70W

Compact Fluorescent

HARMONY™
Vandal Resistant





Border



**Four
Quadrant**



**Vertical
Eyelid**

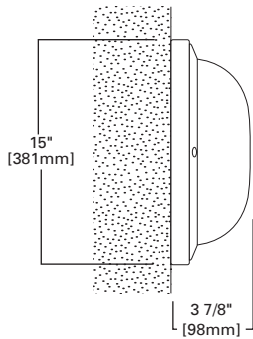


Long Band

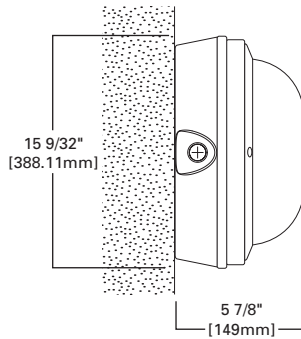


**Short
Band**

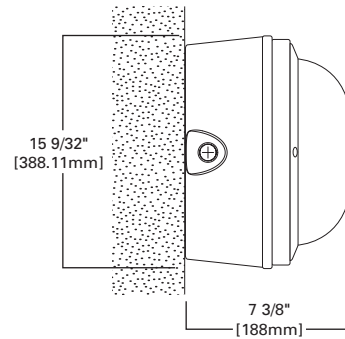
MOUNTING OPTIONS + DIMENSIONS



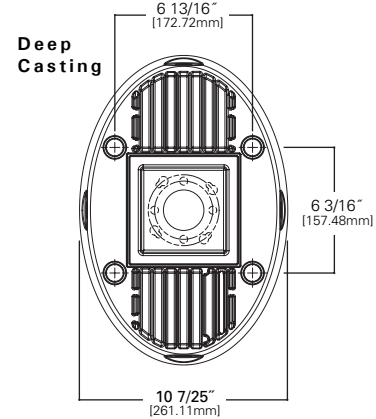
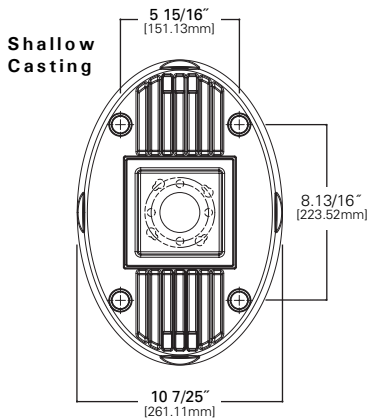
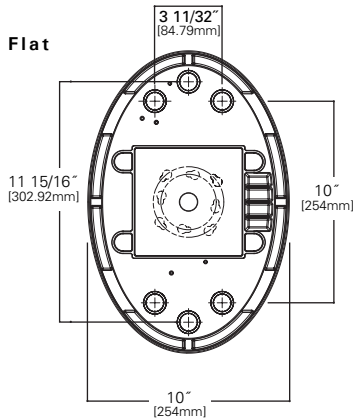
Flat (Compact Fluorescent & Incandescent Units)



Shallow Casting (Compact Fluorescent & Electronic HID)



Deep Casting (Magnetic HID)



Lifetime Warranty

Fail-Safe will repair or provide a replacement fixture for any VR architectural luminaire found to be inoperative due to physical abuse for the duration of the installation*. This includes all VR polycarbonate lens luminaires. This warranty is only valid relative to proper installation of the luminaire, using the four-point mounting method for all luminaires.

Furthermore, Fail-Safe cannot warranty product against some forms of anti-social human behavior involving corrosive chemicals, fire, paint or gunfire. Yellowed lenses from ultraviolet radiation/heat are excluded from this warranty.

** To make a claim, contact your Cooper Lighting Agent to arrange a RMA (Return Material Authorization) for the claimed product. Upon receipt and verification of the defect, Cooper Lighting will return to you a repaired or, at Cooper Lighting's sole option, replacement fixture.

50W MH HVOV15-G-150MH-DT-BK-DPTG
Wall Mounted

42W CT HVOB15-G-142CT-DT-BK
Wall Mounted

ENERGY DATA

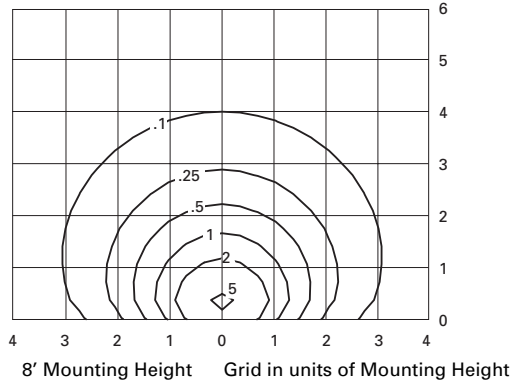
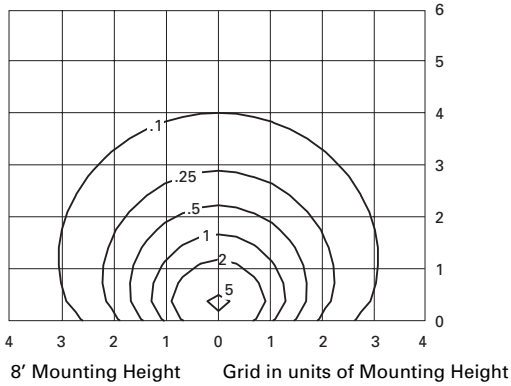
For Energy Management related technical data to support the performance of this fixture series, refer to the ordering information for input wattage.

Maximum Input Watts:

| Electronic | |
|-----------------------------|----------|
| (1) 26W Compact Fluorescent | 27 Watts |
| (1) 32W Compact Fluorescent | 37 Watts |
| (1) 42W Compact Fluorescent | 47 Watts |
| (1) 57W Compact Fluorescent | 59 Watts |
| (1) 60W Compact Fluorescent | 70 Watts |
| (1) 70W Compact Fluorescent | 75 Watts |
| (1) 50W Metal Halide | 56 Watts |
| (1) 70W Metal Halide | 82 Watts |

Magnetic High Power

| | |
|--------------|-----------|
| (1) 50W HPS | 60 Watts |
| (1) 70W HPS | 93 Watts |
| (1) 100W HPS | 130 Watts |
| (1) 50W MH | 72 Watts |
| (1) 70W MH | 94 Watts |
| (1) 100W MH | 132 Watts |



ORDERING INFORMATION

SAMPLE NUMBER: HVOV15-C-142CT-DT-BK

| | | | | |
|----------------------------------------------------------------------------------------------------------------------------------------------------------------------------------------------------------------------------------------------------------------------------------------------------------------------------------------------------------------|------------------------------------------------------------------------------------------------------------------------------------------------------------------------------------------------------------------------------------------------------------------------------------------------------------------------------------------------------------------------------------------------------------------------------------------------------------------------------------------------------------------------|--------------------------------------------------------------------------------------------------------------------------------------------------------------------------------------------------------------------------------------------------------------------------------------------------------------------------------------|-------------------------------------------------------------------------------------------------------------------------------------------------------------------------------------------------------------------------------------------------------------------------|---------------------------------------------------------------------------------------------------------------------------------------------------------------------------------------------------------|
| <p>Product HV = Harmony VR</p> <p>Shape O = Oval</p> <p>Style B = Border V = Vertical Eyelid H = Horizontal Eyelid¹ S = Short Band L = Long Band F = Four Quadrant</p> <p>Size 15 = 15"</p> <p>Lens C = Clear prismatic O = Opal G = Glass^{2,3}</p> | <p>Lamp Qty/Type <u>Compact Fluorescent</u></p> <p>1/26CT 1/32CT 1/42CT 1/57CT⁶ 1/60CT^{3,5} 1/70CT^{3,5} <u>HID</u></p> <p>1/70TGME^{3,4} 1/50ME⁴ 1/50MH⁶ 1/70ME^{2,4} 1/70MH^{2,6} 1/100MH^{2,6,8} 1/50HPS⁶ 1/70HPS^{2,6} 1/100HPS^{2,6,8}</p> <p><u>Incandescent</u></p> <p>1/40IN 1/60IN³ 1/75IN²</p> | <p>Voltage <u>Compact Fluorescent</u></p> <p>DT = Universal 120-277V 347 = 347V</p> <p><u>HID</u></p> <p>120V = 120V 208V = 208V 240V = 240V 480V = 480V DT = 120/277V 347V = 347V MT = Multi-Tap UNV = Universal 120-277V (Electronic)</p> <p><u>Incandescent</u></p> <p>120V = 120V</p> | <p>Options</p> <p>EM = Emergency Battery Pack^{5,7} F1 = Single Fuse F2 = Double Fuse L = Lamp CSTG = Shallow Casting^{4,9,10} DPTG = Deep Casting^{6,9,10}</p> <p>Color</p> <p>BK = Black WH = White</p> | <p>Accessories</p> <p>QMKIT = Quick Mount Kit (For J-Box Mounting) VRSD = TORX[®] screwdriver VRSB = VRS Driver Bit PB-120V = Photocell Kit PB-277V = Photocell Kit</p> |
|----------------------------------------------------------------------------------------------------------------------------------------------------------------------------------------------------------------------------------------------------------------------------------------------------------------------------------------------------------------|------------------------------------------------------------------------------------------------------------------------------------------------------------------------------------------------------------------------------------------------------------------------------------------------------------------------------------------------------------------------------------------------------------------------------------------------------------------------------------------------------------------------|--------------------------------------------------------------------------------------------------------------------------------------------------------------------------------------------------------------------------------------------------------------------------------------------------------------------------------------|-------------------------------------------------------------------------------------------------------------------------------------------------------------------------------------------------------------------------------------------------------------------------|---------------------------------------------------------------------------------------------------------------------------------------------------------------------------------------------------------|

Notes:

Specifications and dimensions subject to change without notice. Products also available in non-US voltages and 50Hz for international markets.

¹ Units with eyelid faces must mount with the Eyelid in the up position.

² 70-100 Watt ED-17 HID, 75 Watt Incandescent require a glass lens.

³ Wall mounted 60-Watt Incandescent, 60 and 70 Watt CFL, 70 Watt MHT6 require a glass lens.

⁴ HID units with electronic ballast come standard with shallow casting (CSTG).

⁵ Requires Shallow Casting (CSTG).

⁶ HID units with Magnetic ballast come standard with deep casting (DPTG).

⁷ CFL not available with Quick Kit accessory.

⁸ 100 Watt ED17 HID lamps must mount on non-combustible material only.

⁹ Surface conduit requires shallow casting (CSTG).

¹⁰ Surface conduit applications must mount on non-combustible material only.

TORX[®] is a registered trademark of Camcar Division of Textron, Inc.