

Component Ordering

Specify housings, electrical assemblies or lamp assemblies as separate line items to enable "quick-ship".

The configuration code should precede each component number. Choose your configuration and add the code to the beginning of each housing, electrical or trim insert part number to indicate lamp quantity and configuration.

HOUSING



- Lightweight frameless construction
- Integral electrical enclosure with through branch wiring access
- Butterfly brackets for commercial applications
- Hidden vent holes for cooler operation
- One or two circuit
- Integral thermal protection

NOTE: Housing finish (1C) should match interior finish (3C). Consult factory for special finish specifications.

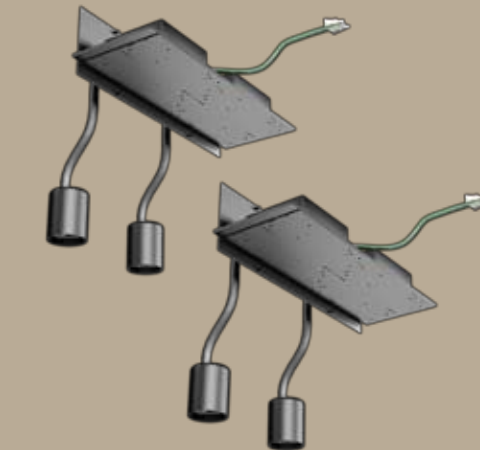
Ordering Example (Precede with Configuration Code)
Four (4) Light COMBOLIGHT Recessed, New Construction Housing Component, 120V, Black Finish

C1	C2	C3	C4	C5	C6	CX
One Lamp	Two Lamps	Three Lamps	Four Lamps	Five Lamps	Six Lamps	Four Lamp SQUARE
□	□	□	□	□	□	□

1A HOUSING CONSTRUCTION	N	New Construction
	C	Chicago Plenum
1B HOUSING GROUP SIZE (see page 5 for explanation)	3	Housing Group 3
1C PRIMARY VOLTAGE	1	120 Volts
	2	277 Volts
1D HOUSING FINISH	B	Black Powder Coat
	W	White Powder Coat
	S	Industrial Silver Powder Coat

C4	N	3	1	B
-----------	----------	----------	----------	----------

ELECTRICAL



- Individually removable for easy maintenance
- Integral electronic metal halide ballasts
- Quickconnect wiring
- Includes lamp sockets
- De-rated wattage labeling available



NOTE: Electrical platform finish (2E) should match Housing finish (1C). Consult factory for special finish specifications.

Ordering Example (Precede with Configuration Code)
Four (4) Light 39W PAR30MH Electrical Component, Electronic Metal Halide Ballasts, 120V Primary, Black

2A ASSEMBLY TYPE	N	New Construction / Chicago Plenum
2B LAMP WATTAGE / TYPE	075P30	75 Watt Max. PAR30 120V
	039M30	39 Watt PAR30 Metal Halide
	070M30	70 Watt PAR30 Metal Halide
2C POWER SUPPLY	E	Electronic Ballast
	N	None - Line Voltage Lamp
2D PRIMARY VOLTAGE	1	120 Volts
	2	277 Volts
2E ELECTRICAL PLATFORM FINISH	B	Black Powder Coat
	W	White Powder Coat
	S	Industrial Silver Powder Coat

C4	N	039M30	E	1	B
-----------	----------	---------------	----------	----------	----------

TRIM INSERT



- 0.75" trim flange or trimless
- 45° x 45° lockable aiming
- Gimbals are interchangeable
- Two-position gimbal mounting provides optional 1" regress
- Threadless lamp bezels
- Spring-loaded lamps and accessories
- Optional retractable arm

NOTE: Housing Interior, Gimbals and Inner Trim Sleeve share the same finish. Custom combinations are available upon request. Consult factory for special finish specifications.

Ordering Example (Precede with Configuration Code)
Four (4) Light Insert with Trim Flange, Double Gimbals, Black Interior / White Trim Finish

3A LAMP GROUP / TRIM INSERT (see page 5 for explanation)	4T	Lamp Group 4 - 0.75" Trim Flange
	4N	Lamp Group 4 - Trimless (no flange)
3B GIMBAL MECHANISM	G	Standard Double Gimbal
	R	Retractable Arm Double Gimbal
3C INTERIOR / GIMBAL / TRIM SLEEVE FINISH	B	Black Powder Coat
	W	White Powder Coat
	S	Industrial Silver Powder Coat
3D TRIM FINISH	B	Black Powder Coat
	W	White Powder Coat
	S	Industrial Silver Powder Coat
	N	None (Trimless)

C4	4	T	G	B	W
-----------	----------	----------	----------	----------	----------

By following the steps below, you may specify a complete COMBOLIGHT fixture including housing, electrical and trim insert in one complete number. Numbers are built using sub-sets of the component numbers from the previous page.

1 LAMP QUANTITY / CONFIGURATION	C1	One (1) Light Housing
	C2	Two (2) Light Housing
	C3	Three (3) Light Housing
	C4	Four (4) Light Housing
	C5	Five (5) Light Housing
	C6	Six (6) Light Housing
	CX	Four (4) Light SQUARE Housing
HOUSING CONSTRUCTION	N	New Construction
	C	Chicago Plenum
2 LAMP WATTAGE / TYPE	075P30	75 Watt Max. PAR30 120V
	039M30	39 Watt PAR30 Metal Halide
	070M30	70 Watt PAR30 Metal Halide
POWER SUPPLY	E	Electronic Transformer / Ballast
	N	None - Line Voltage Lamp
PRIMARY VOLTAGE	1	120 Volts
	2	277 Volts
NOTE: De-rated wattage labeling available.		
3 TRIM INSERT	T	0.75" Trim Flange
	N	Trimless (no flange)
GIMBAL MECHANISM	G	Standard Double Gimbal
	R	Retractable Arm Double Gimbal
INTERIOR / GIMBAL / TRIM SLEEVE FINISH	B	Black Powder Coat
	W	White Powder Coat
	S	Industrial Silver Powder Coat
TRIM FINISH	B	Black Powder Coat
	W	White Powder Coat
	S	Industrial Silver Powder Coat
	N	None (Trimless)
NOTE: Housing Interior, Gimbals and Inner Trim Sleeve share the same finish. Custom combinations are available upon request. Consult factory for special finish specifications.		

C4	N	039M30	E	1	T	G	B	W
-----------	----------	---------------	----------	----------	----------	----------	----------	----------

Complete Fixture Ordering

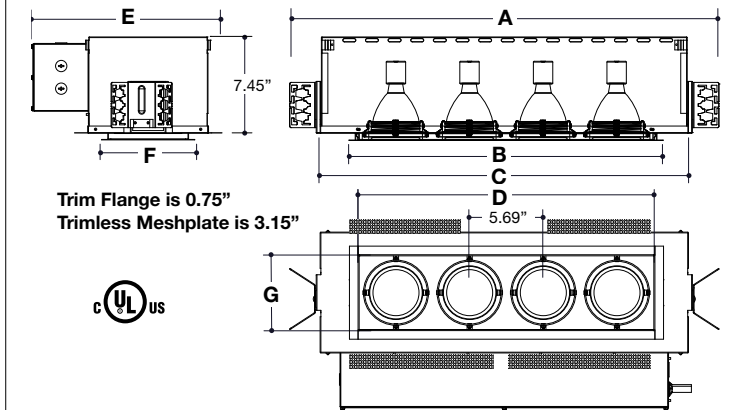
Specify complete fixtures in one ordering number.



WITH 0.75" TRIM INSERT



WITH TRIMLESS INSERT



NEW CONSTRUCTION - Dimensions in inches

Config.	A	B	C	D	E	F	G
C1	16.14	7.19	12.01	5.69	15.01	7.19	5.69
C2	21.83	12.88	17.70	11.38	15.01	7.19	5.69
C3	27.52	18.57	23.39	17.07	15.01	7.19	5.69
C4	33.21	24.26	29.08	22.76	15.01	7.19	5.69
C5	38.90	29.95	34.77	28.45	15.01	7.19	5.69
C6	44.59	35.64	40.46	34.14	15.01	7.19	5.69
CX	22.88	12.88	18.74	11.38	22.82	12.88	11.38

Ordering Example
Four (4) Light 39W PAR30MH COMBOLIGHT New Construction, Electronic Metal Halide Ballasts 120V Primary, Trim Flange Insert, Double Gimbals, Black Interior Finish, White Trim Finish

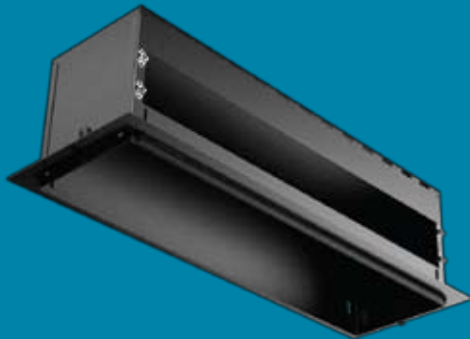


Component Ordering

Specify housings, electrical assemblies or lamp assemblies as separate line items to enable "quick-ship".

The configuration code should precede each component number. Choose your configuration and add the code to the beginning of each housing, electrical or trim insert part number to indicate lamp quantity and configuration.

HOUSING



- Lightweight frameless construction
- Adjustable plasterframe accommodates various ceiling thickness
- Hidden vent holes for cooler operation

NOTE: Housing finish (1C) should match interior finish (3C). Consult factory for special finish specifications.

Ordering Example (Precede with Configuration Code)
Four (4) Light COMBOLIGHT Recessed, Remodel Housing Component, Black Finish

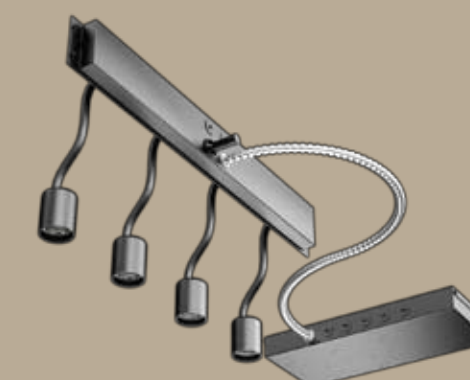
- Remote power supply enclosure connected to housing via flexible conduit
- Integral electrical enclosure with through branch wiring access
- Removable for easy maintenance
- Integral electronic metal halide ballasts
- Includes sockets
- De-rated wattage labeling available



NOTE: Electrical platform finish (2E) should match Housing finish (1C). Consult factory for special finish specifications.

Ordering Example (Precede with Configuration Code)
Four (4) Light 39W PAR30MH Electrical Component, Electronic Metal Halide Ballasts, 120V Primary, Black

ELECTRICAL



TRIM INSERT



- 0.75" trim flange or trimless
- 45° x 45° lockable aiming
- Gimbals are interchangeable
- Two-position gimbal mounting provides optional 1" regress
- Threadless lamp bezels
- Spring-loaded lamps and accessories
- Optional retractable arm

NOTE: Housing Interior, Gimbals and Inner Trim Sleeve share the same finish. Custom combinations are available upon request. Consult factory for special finish specifications.

Ordering Example (Precede with Configuration Code)
Four (4) Light Insert with Trim Flange, Double Gimbals, Black Interior / White Trim Finish

CONFIGURATION CODE

C1	C2	C3	C4	C5	C6	CX
One Lamp	Two Lamps	Three Lamps	Four Lamps	Five Lamps	Six Lamps	Four Lamp SQUARE

1A HOUSING CONSTRUCTION
R Remodel

1B HOUSING GROUP SIZE (see page 5 for explanation)
3 Housing Group 3

1C HOUSING FINISH
B Black Powder Coat
W White Powder Coat
S Industrial Silver Powder Coat

C4	R	3	B
----	---	---	---

2A ASSEMBLY TYPE
R Remodel

2B LAMP WATTAGE / TYPE
075P30 75 Watt Max. PAR30 120V
039M30 39 Watt PAR30 Metal Halide
070M30 70 Watt PAR30 Metal Halide

2C POWER SUPPLY
E Electronic Ballast
N None - Line Voltage Lamp

2D PRIMARY VOLTAGE
1 120 Volts
2 277 Volts

2E ELECTRICAL PLATFORM FINISH
B Black Powder Coat
W White Powder Coat
S Industrial Silver Powder Coat

C4	R	039M30	E	1	B
----	---	--------	---	---	---

3A LAMP GROUP / TRIM INSERT (see page 5 for explanation)
4T Lamp Group 4 - 0.75" Trim Flange
4N Lamp Group 4 - Trimless (no flange)

3B GIMBAL MECHANISM
G Standard Double Gimbal
R Retractable Arm Double Gimbal

3C INTERIOR / GIMBAL / TRIM SLEEVE FINISH
B Black Powder Coat
W White Powder Coat
S Industrial Silver Powder Coat

3D TRIM FINISH
B Black Powder Coat
W White Powder Coat
S Industrial Silver Powder Coat
N None (Trimless)

C4	4	T	G	B	W
----	---	---	---	---	---

By following the steps below, you may specify a complete COMBOLIGHT fixture including housing, electrical and trim insert in one complete number. Numbers are built using sub-sets of the component numbers from the previous page.

1 LAMP QUANTITY / CONFIGURATION

C1	One (1) Light Housing
C2	Two (2) Light Housing
C3	Three (3) Light Housing
C4	Four (4) Light Housing
C5	Five (5) Light Housing
C6	Six (6) Light Housing
CX	Four (4) Light SQUARE Housing

HOUSING CONSTRUCTION
R Remodel

2 LAMP WATTAGE / TYPE

075P30	75 Watt Max. PAR30 120V
039M30	39 Watt PAR30 Metal Halide
070M30	70 Watt PAR30 Metal Halide

POWER SUPPLY
E Electronic Ballast
N None - Line Voltage Lamp

PRIMARY VOLTAGE
1 120 Volts
2 277 Volts

NOTE: De-rated wattage labeling available.

3 TRIM INSERT
T 0.75" Trim Flange
N Trimless (no flange)

GIMBAL MECHANISM
G Standard Double Gimbal
R Retractable Arm Double Gimbal

INTERIOR / GIMBAL / TRIM SLEEVE FINISH
B Black Powder Coat
W White Powder Coat
S Industrial Silver Powder Coat

TRIM FINISH
B Black Powder Coat
W White Powder Coat
S Industrial Silver Powder Coat
N None (Trimless)

NOTE: Housing Interior, Gimbals and Inner Trim Sleeve share the same finish. Custom combinations are available upon request. Consult factory for special finish specifications.

C4	R	039M30	E	1	T	G	B	W
----	---	--------	---	---	---	---	---	---

Complete Fixture Ordering

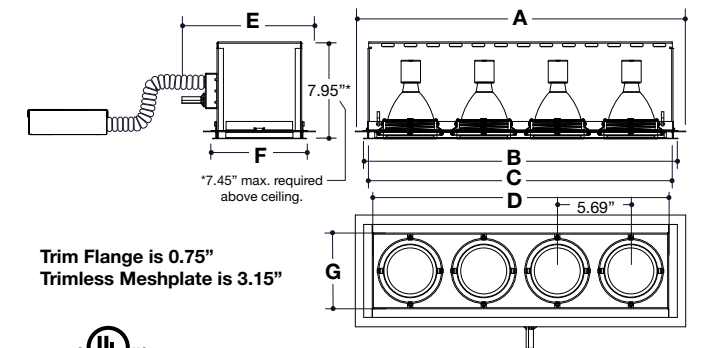
Specify complete fixtures in one ordering number.



WITH 0.75" TRIM INSERT



WITH TRIMLESS INSERT



Trim Flange is 0.75"
Trimless Meshplate is 3.15"



REMODEL - Dimensions in inches

Config.	A	B	C	D	E	F	G
C1	8.49	7.19	6.52	5.69	10.31	7.19	5.69
C2	14.18	12.88	12.21	11.38	10.31	7.19	5.69
C3	19.87	18.57	17.90	17.07	10.31	7.19	5.69
C4	25.56	24.26	23.59	22.76	10.31	7.19	5.69
C5	31.25	29.95	29.28	28.45	10.31	7.19	5.69
C6	36.94	35.64	34.97	34.14	10.31	7.19	5.69
CX	12.21	12.88	12.21	11.38	16.00	12.88	11.38

Ordering Example
Four (4) Light 39W PAR30MH COMBOLIGHT Remodel, Electronic Metal Halide Ballasts 120V Primary, Trim Flange Insert, Double Gimbals, Black Interior Finish, White Trim Finish

