

RECESSED PAR38 LV TRIMLESS

DESCRIPTION:

An adjustable PAR38 fixture suitable for multiple downlighting applications with one point of electrical entry. Powder coat finish on housing & lamp assembly. Housing suitable for new construction applications.

CONSTRUCTION:

All aluminum construction. Perforated mesh plaster frame adheres to ceiling compound for seamless trimless mounting. Beveled fixture opening provides easy mudding compound application. Can accommodate 0.50" or 0.625" drywall. Includes butterfly brackets for black iron commercial mounting.

LAMP ASSEMBLY:

6 - PAR38 lamps mounted in adjustable bezels. Each lamp can accept up to two optical accessories. 380° x 45° locking adjustment. Fixture provides 45° visual cut-off. Lamp holders retract for added internal adjustment.

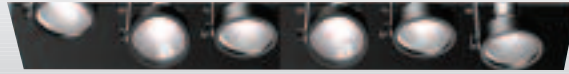
SYSTEM PROTECTION:

Thermal protection provided to guard against overheating, and misuse of insulation over and around fixture. Vent holes in housing provide cooler operation

ELECTRICAL:

Junction box is UL listed for through branch wiring, (access above ceiling not required) for 8 #12, 90°C supply conductors or 60°C for end of run. J-Box and wiring accessible through ceiling opening via access door on housing sidewall.

ALL RSA COMBOLIGHT PRODUCTS ARE MADE IN THE U.S.A.



Catalog #

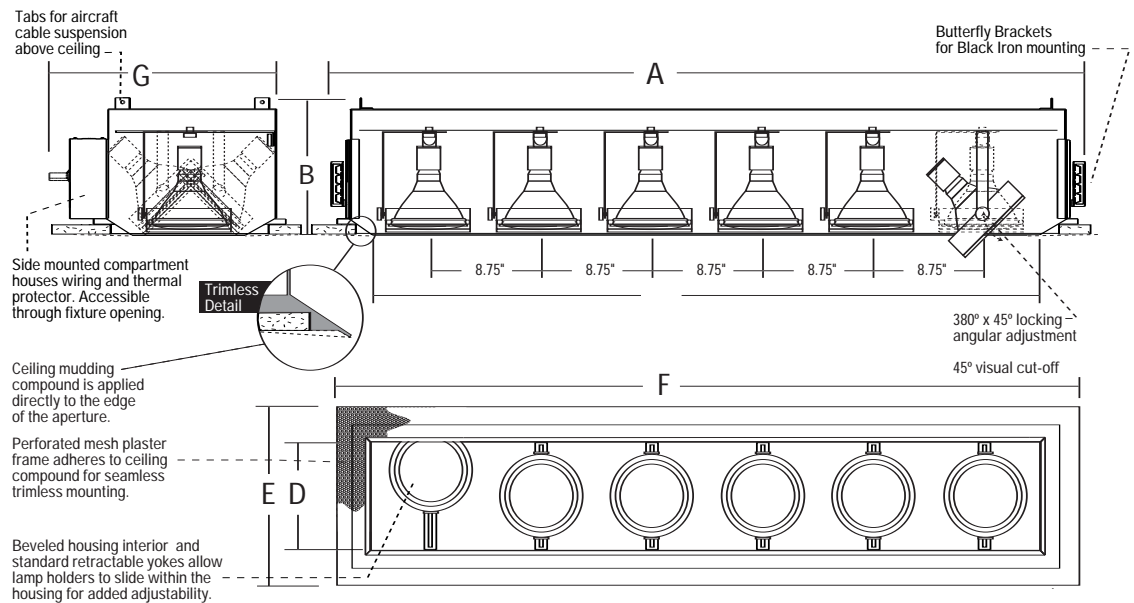
Type

Project

COMBOLIGHT® LV Series

SIX (6) Light Recessed
Next Generation Trimless
Multi-Lamp Luminaire
PAR38 Line Voltage

Dimensions	A Housing Length	B Housing Height	C Aperture Length	D Aperture Width	E Plaster Frame Width	F Plaster Frame Length	G Above Ceiling Width	Ceiling Cut-Out
	59.10"	9.02"	53.33"	8.90"	14.65"	59.08"	16.85"	56.42" x 12.10"



Other Adders
CC - Two Circuit
CP - Chicago Plenum

ORDERING EXAMPLE: **LV3860IS WH**

= Six Light Trimless Recessed PAR38 - White Interior

Optional Accessories - Details on Other Side			
Baffle	Snoots	Louvers	Lenses

Cat. # / Description	Interior Finish
LV3860IS : 6 Light Recessed Next Generation Trimless Combo Fixture 120V PAR38	BK - Black
	WH - White
	S - Silver
	PT - Custom (Specify)

SPECIFY -

LV3860IS