

COMBO MINI - Low profile recessed architectural fixtures



One, Two or Three light adjustable fixtures with housings

COMBO MINI

Combo Mini™ fixtures are low profile recessed architectural trims for downlighting and wall wash lighting applications.

A full range of fixture types are offered including a one light downlight, one light wall wash, and two and three light multi-lamp adjustable configurations.

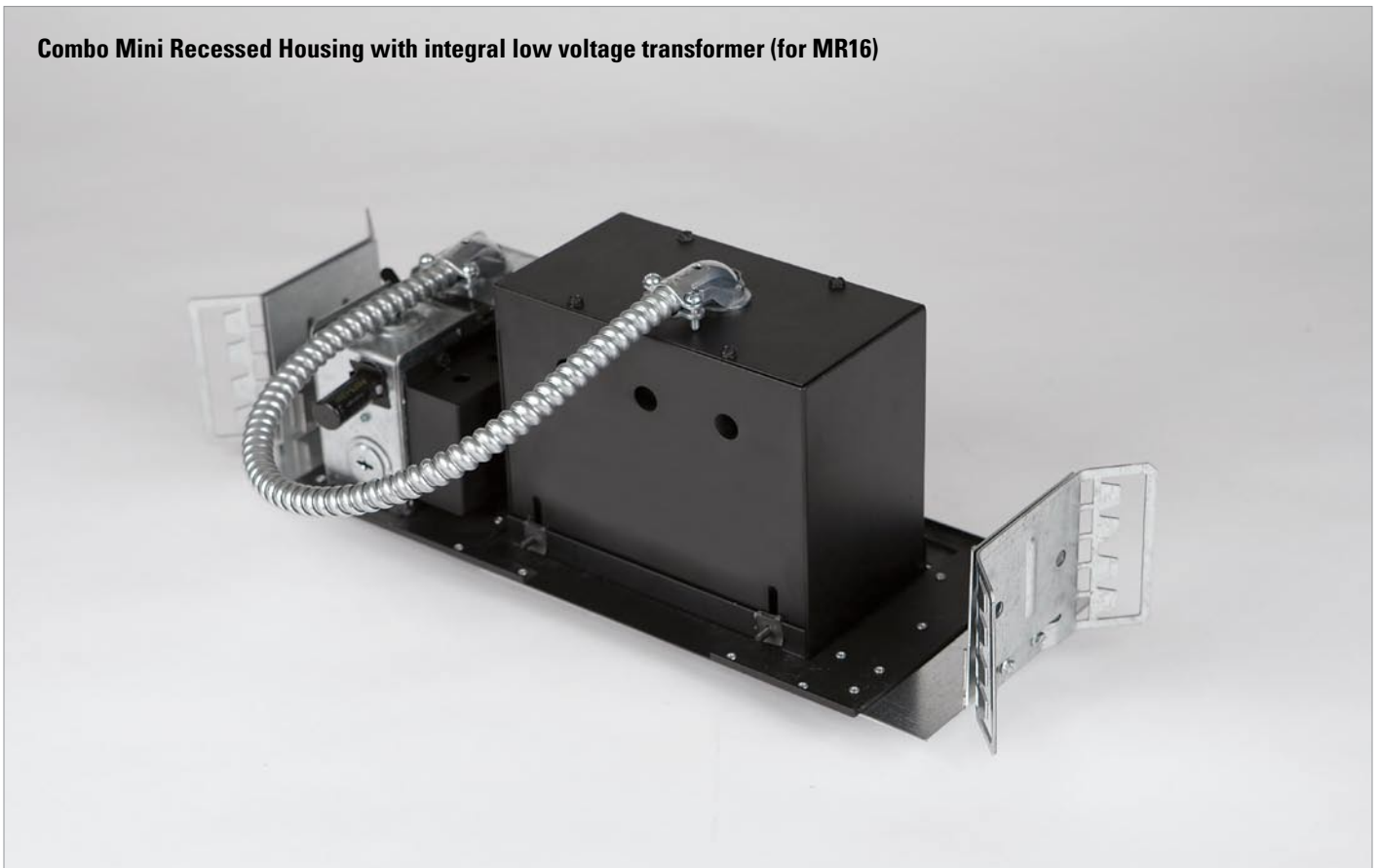
Each Combo Mini fixture includes RSA's rugged Combo Recessed new construction housing with integral low voltage transformer and j-box and adjustable plaster frame for ceiling thicknesses up to 1".

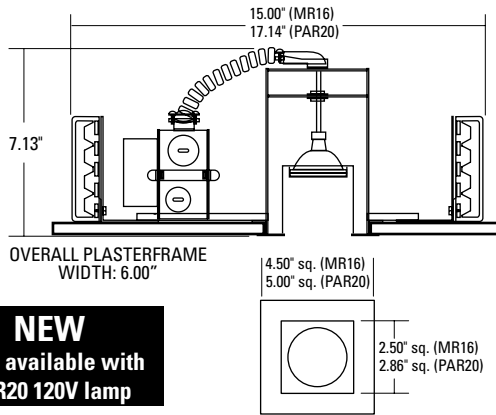
Combo Mini utilizes low voltage MR16 lamps and each lamp holder can accommodate up to two (2) optical accessories. The fixed downlight trim is also available with a 120V PAR20 lamp.

Combo Mini is suitable for a wide range of retail, commercial, hospitality and residential lighting applications.



Combo Mini Recessed Housing with integral low voltage transformer (for MR16)





NEW
Now available with
PAR20 120V lamp



MR16



PAR20

ONE LIGHT DOWNLIGHT TRIM

Ultra Low Profile Square Fixed Downlight
12V Halogen MR16 12 volts 71 watts max. or 120V PAR20

Item #

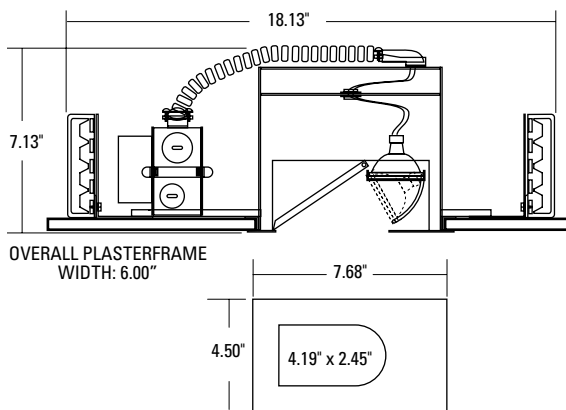
- CM0W** One light fixed downlight - MR16 - White
- CM0B** One light fixed downlight - MR16 - Black
- CM0S** One light fixed downlight - MR16 - Silver (shown)

- CM0W-P** One light fixed downlight - PAR20 - White
- CM0B-P** One light fixed downlight - PAR20 - Black
- CM0S-P** One light fixed downlight - PAR20 - Silver (shown)

Voltage (for MR16 only)

120	120V (Standard)
277	277V

- 4.5" sq. (MR16) or 5" sq. (PAR20) trim secured in housing with torsion spring retainers
- Flat black internal finish
- Housing adjusts vertically in plaster frame to accommodate various ceiling thicknesses.
- Integral electronic transformer (MR16 only) accessible through the ceiling opening.
- Transformers have thermal protection and operate at 11.5 volts nominal.
- Primary leads: 120 volts.
- Transformer rated 180° Class H.
- Socket is pre-wired to the j-box with 18AWG SF-1 leads.
- J-box U.L. listed for through branch wiring for eight #12, 90°C supply wires or 60°C supply wires for end of run.
- Includes butterfly brackets for black iron installations



MR16

ONE LIGHT ADJUSTABLE WALL WASH TRIM

Ultra Low Profile Adjustable Wall Wash
12V Halogen MR16 12 volts 71 watts max.

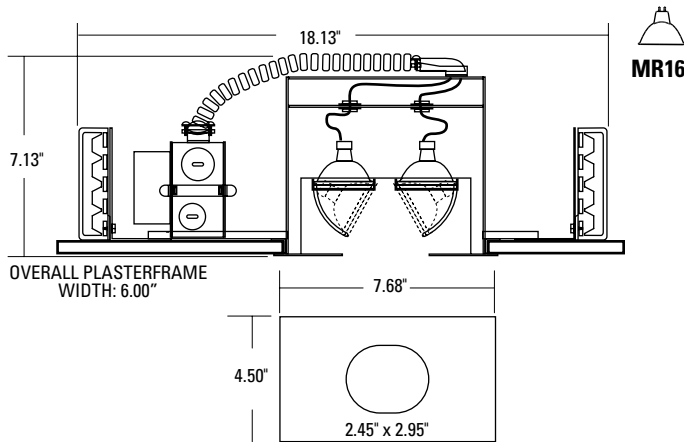
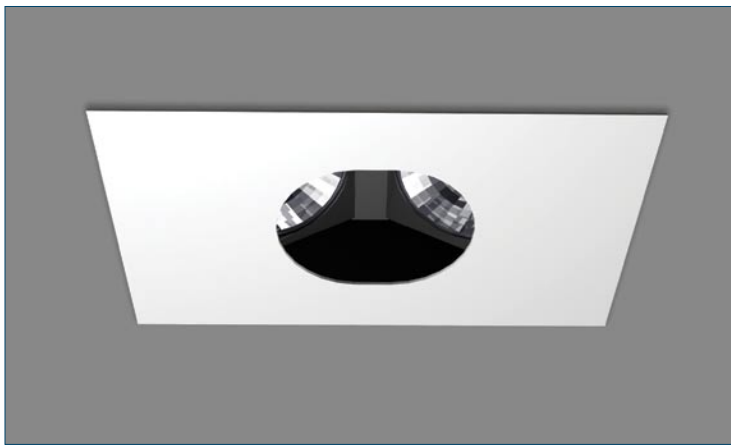
Item #

- CM1W** One light wall wash - White
- CM1B** One light wall wash - Black
- CM1S** One light wall wash - Silver (shown)

Voltage

120	120V (Standard)
277	277V

- 4.5" x 7.68" trim secured in housing with torsion spring retainers
- Flat black internal finish
- Lamp holder adjusts 0° to 60° tilt
- Housing adjusts vertically in plaster frame to accommodate various ceiling thicknesses.
- Integral electronic transformer accessible through the ceiling opening.
- Transformers have thermal protection and operate at 11.5 volts nominal.
- Primary leads: 120 volts.
- Transformer rated 180° Class H.
- Socket is pre-wired to the j-box with 18AWG SF-1 leads.
- J-box U.L. listed for through branch wiring for eight #12, 90°C supply wires or 60°C supply wires for end of run.
- Includes butterfly brackets for black iron installations



TWO LIGHT ADJUSTABLE TRIM

Ultra Low Profile Two Light Adjustable
12V Halogen MR16 12 volts 71 watts max.

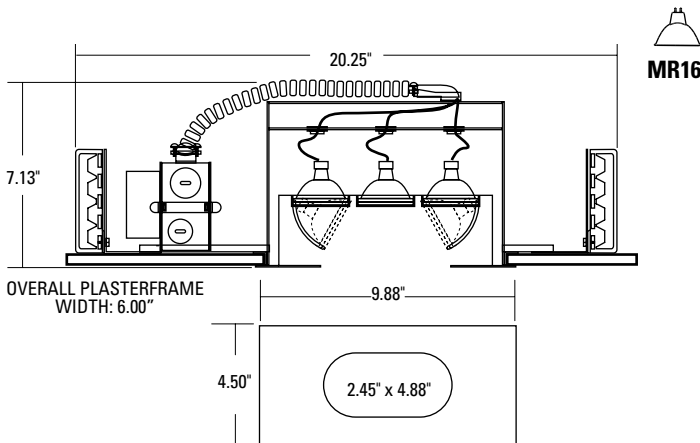
Item #

- CM2W** Two light adjustable - White (shown)
- CM2B** Two light adjustable - Black
- CM2S** Two light adjustable - Silver

Voltage

- 120** 120V (Standard)
- 277** 277V

- 4.5" x 7.68" trim secured in housing with torsion spring retainers
- Flat black internal finish
- Lamp holders adjust 0° to 60° tilt
- Housing adjusts vertically in plaster frame to accommodate various ceiling thicknesses.
- Integral electronic transformer accessible through the ceiling opening.
- Transformers have thermal protection and operate at 11.5 volts nominal.
- Primary leads: 120 volts.
- Transformer rated 180° Class H.
- Socket is pre-wired to the j-box with 18AWG SF-1 leads.
- J-box U.L. listed for through branch wiring for eight #12, 90°C supply wires or 60°C supply wires for end of run.
- Includes butterfly brackets for black iron installations



THREE LIGHT ADJUSTABLE TRIM

Ultra Low Profile Three Light Adjustable
12V Halogen MR16 12 volts 71 watts max.

Item #

- CM3W** Three light adjustable - White
- CM3B** Three light adjustable - Black (shown)
- CM3S** Three light adjustable - Silver

Voltage

- 120** 120V (Standard)
- 277** 277V

- 4.5" x 9.88" trim secured in housing with torsion spring retainers
- Flat black internal finish
- Outside lamp holders adjust 0° to 60° tilt. Center lamp is fixed position.
- Housing adjusts vertically in plaster frame to accommodate various ceiling thicknesses.
- Integral electronic transformer accessible through the ceiling opening.
- Transformers have thermal protection and operate at 11.5 volts nominal.
- Primary leads: 120 volts.
- Transformer rated 180° Class H.
- Socket is pre-wired to the j-box with 18AWG SF-1 leads.
- J-box U.L. listed for through branch wiring for eight #12, 90°C supply wires or 60°C supply wires for end of run.
- Includes butterfly brackets for black iron installations