

MODULE SINKS

Stainless Steel

These instructions are for installing Blanco Module stainless steel sinks. If you are installing another type of sink, such as a Drop-In or Undermount design please refer to instructions specifically for those sinks.

Templates are supplied only as a guide. The physical use of the sink will ensure a more accurate cutout.

Before installing, inspect the sink for damage. Do not install a damaged unit.

Remember, it is your responsibility to follow all local plumbing and building codes.

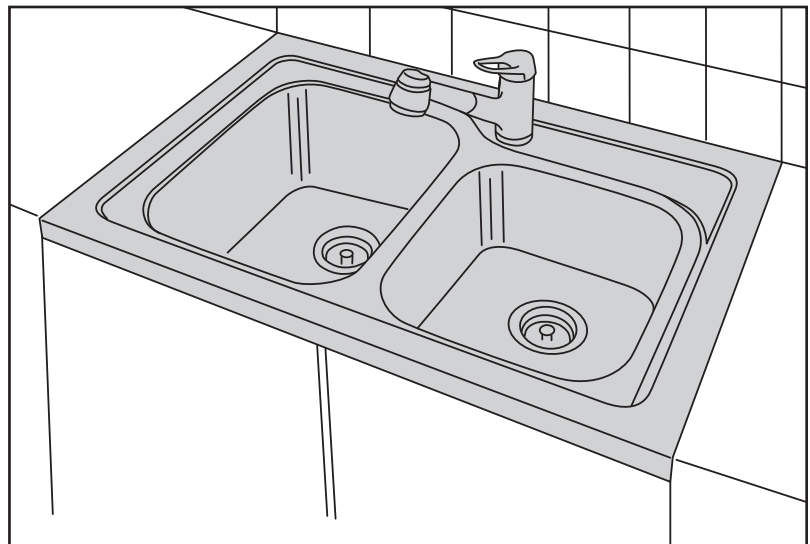
The warranty will be voided if these installation instructions are not followed.

TOOLS AND MATERIALS YOU WILL NEED

Eye protection (safety glasses/goggles) strongly recommended	Silicone adhesive sealant
	Rags
Ear protection strongly recommended	Denatured alcohol
	Wood braces

BLANCO MODULE designs integrate a stainless steel sink with a deck and squared front apron. The countertop features a squared front edge that is designed to fit flush with the adjoining countertop.

The integrated design eliminates a traditional countertop sink cut-out, as BLANCO MODULE designs are intended to fit flush with the back wall surface, the adjoining countertop sides, and the front countertop edge treatment.



BLANCO MODULE designs are available with or without an integrated raised 4" backsplash. Check with your installer or kitchen designer for proper consideration of other complementing backsplash materials, such as tile, granite, or solid surfacing.

INSTALLATION INSTRUCTIONS • MODULE SINKS

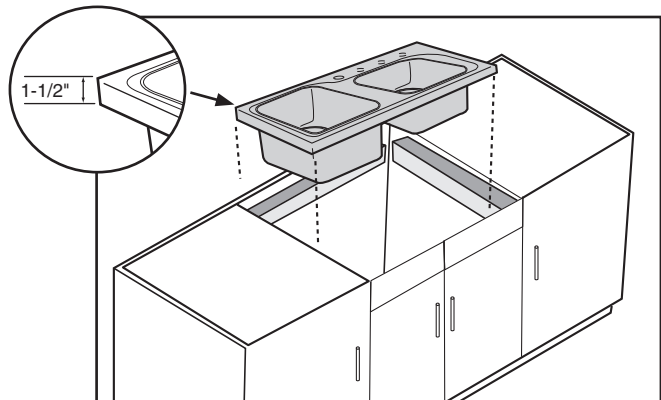
STEP 1 (Recommended for professional installers only.)

BLANCO MODULE designs are to be supported by braces installed on the sides and back of the sink base cabinet.

The height of these braces will vary, depending on the overall thickness of the countertop.

The height of the MODULE is 1-1/2" (see diagram).

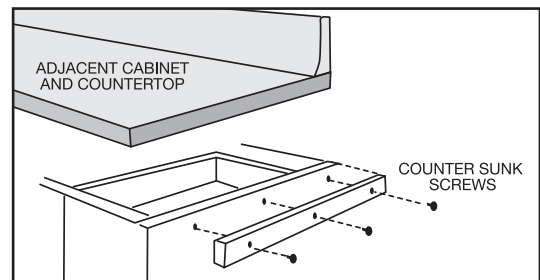
Install the braces to place the top of the MODULE unit even with the top of the countertop.



STEP 2 (Recommended for professional installers only.)

BLANCO MODULE units feature a squared front edge that is designed to fit flush with the adjoining countertop.

The countertop front edge should be specified to align with the MODULE height (1-1/2") and front-to-back depth (25-1/4").



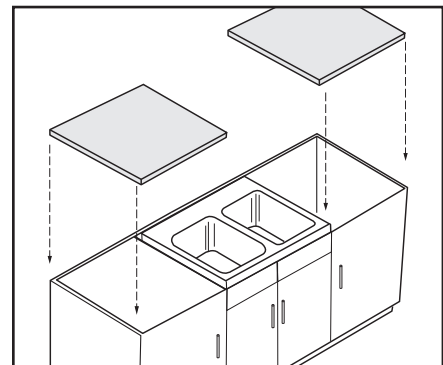
STEP 3 (Recommended for professional installers only.)

Place the sink in place.

Before hooking-up plumbing supplies and drains, set the countertop in place to confirm top, side, and front alignment.

Upon confirmation of alignment, install the plumbing supplies and drains. The weight of the MODULE unit is designed to hold it in place.

Install the countertop.



LEGAL DISCLAIMER

All technical data and information provided in this publication is done as a public service to customers of Blanco America, Inc. ("Blanco") and consumers of our products. All names, designs, and model numbers of products are trademarks of Blanco. Prices and specifications of Blanco's products are subject to change without notice or obligation. Blanco may also change or discontinue models of its products without notice or obligation. While Blanco endeavors to provide you with accurate information and descriptions of its products, accuracy and completeness cannot be guaranteed. Blanco is not responsible for, nor does it have any liability for any mistakes or typographical errors, including liability for incidental, consequential, or special damages. All products should be inspected and measured promptly upon delivery and certainly before any improvements or alterations are done in anticipation of or preparation for installation. Blanco assumes no liability for the use of such information or for any damages incurred through its use or application.

Nothing contained in this publication is to be construed as contractual or providing any form of warranty or representation on the part of Blanco. **BLANCO MAKES NO WARRANTIES, EXPRESS OR IMPLIED, INCLUDING BUT NOT LIMITED TO ANY WARRANTY OF MERCHANTABILITY OR OF FITNESS FOR A PARTICULAR PURPOSE, AS TO THE INFORMATION CONTAINED HEREIN OR THE PRODUCTS DESCRIBED HEREIN.**

BLANCO

THE CORNERSTONE OF EVERY GREAT KITCHEN

Stainless Steel Sinks • Silgranit® Sinks • Kitchen Faucets • Bar Sinks & Faucets • Custom Sink Accessories

BLANCO AMERICA, INC.

www.blancoamerica.com

© 2004 Blanco America, Inc. All Rights Reserved.

3/2004 #000000