

FEATURED MODEL

511-782 White, 7-1/4" & 5-1/8" bowl depths

ADDITIONAL MODELS

511-790 Anthracite, 7-1/4" & 5-1/8" bowl depths

FEATURES

- Sliding safety glass cutting board and multifunctional colander included.
- 80% rock hard granite
- Color all the way through
- Highly resistant to scratching, staining and all household acids and alkali solutions
- Non-porous, easy-to-clean
- Heat resistant to 536° F
- Extremely hygienic, does not absorb odors or bacteria

CODE/STANDARDS COMPLIANCE

ASME 112.19.3-00

IAPMO/UPC listed

WARRANTY

Blanco America's SILGRANIT® sinks feature a "NO HASSLE" LIMITED LIFETIME WARRANTY to be free of all manufacturing defects under normal use. See our complete warranty for details.

While Blanco America endeavors to provide accurate information, all dimensions are nominal, cannot be guaranteed, and are subject to change or cancellation. Blanco America assumes no responsibility for use of superseded or voided specifications.

PRODUCT SPECIFICATION

Drop-in sink to be 39-3/8" in length and 20-1/16" in front-to-back depth. Sink to be made from Silgranit® hard composite material. Sink to feature rear drain placement and straight bowl sides with 5/8" cutout corner radius. Sink to be Blanco (Check one)

Model 511-782 Model 511-790
with large bowl depth of 7-1/4" and small bowl depth of 5-1/8".

White 511-782

Anthracite 511-790

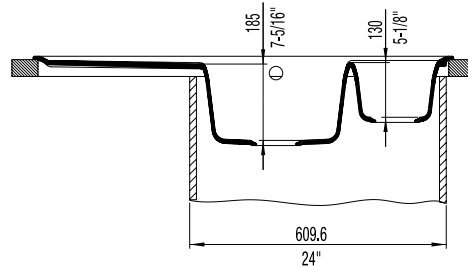
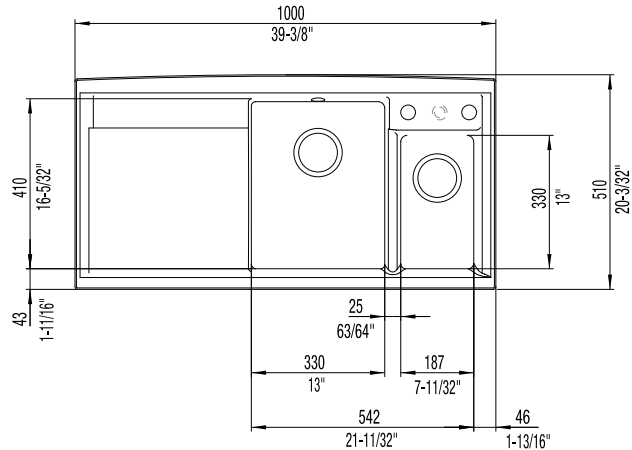


MODEL 511-782

NOMINAL DIMENSIONS

MODEL	OVERALL	CUTOUT SIZE	BOWL DEPTH LEFT	BOWL DEPTH RIGHT	DRAIN DIAMETER
511-782	39-3/8 x 20-1/16	38-3/8 x 19-1/16	7-1/4	5-1/8	3-1/2

DXF cutout templates available on our web site or this specification CD.



JOB INFORMATION

Job Name: _____

Contact: _____

Date Specified: _____

Specifier: _____

Contractor: _____

KNOCKOUT HOLE LOCATIONS
Pre-drilled for single-hole faucet
and remote drain operation.
No additional holes available.

BLANCO AMERICA
800.451.5782
www.blancoamerica.com

© 2006 BLANCO AMERICA
05/06

SPEC-003