

#### FEATURED MODEL

441002 Medium, 10" & 9" bowl depths

#### ADDITIONAL MODELS

441003 Medium Reverse, 9" & 10" bowl depths

513-635 Large, 10" & 9" bowl depths

513-636 Large Reverse, 9" & 10" bowl depths

#### FEATURES

- 18 gauge, 304 series stainless steel
- 18/10 chrome/nickel content
- Long-lasting, easy-to-clean, satin polished finish
- Sound deadening insulation
- Rear drain placement

#### CODE/STANDARDS COMPLIANCE

ASME 112.19.3-00

IAPMO/UPC listed

#### OPTIONAL ACCESSORIES

Sink Grids: 220-577, 220-580

Cutting Board: 513-141

Colander: 514-015, 222-401

#### WARRANTY

Blanco America's BLANCO PERFORMA sinks feature a LIMITED LIFETIME WARRANTY to be free of all manufacturing defects under normal use. See our complete warranty for details.

While Blanco America endeavors to provide accurate information, all dimensions are nominal, cannot be guaranteed, and are subject to change or cancellation. Blanco America assumes no responsibility for use of superseded or voided specifications.

#### PRODUCT SPECIFICATION

Undermount medium sink to be 1-3/4 bowl design, 33-1/8" in length and 20" in front-to-back depth. Sink to be made from 18 gauge, 304 series stainless steel, with 18/10 chrome/nickel content and long-lasting, easy-to-clean satin polished finish. Sink to feature rear drain placement. Sink to be Blanco Model 441002, with left bowl depth of 10" and right bowl depth of 9".

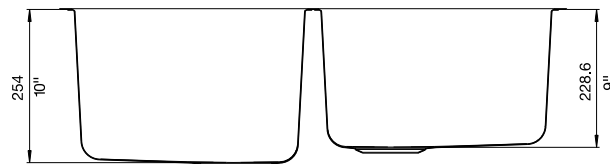
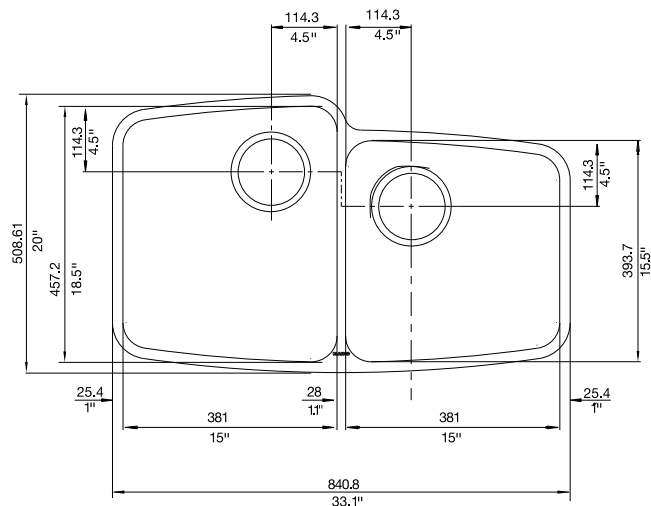


MODEL 441002

#### NOMINAL DIMENSIONS

MODEL	OVERALL	CUTOUT SIZE	BOWL DEPTH		DRAIN DIAMETER
			LEFT	RIGHT	
441002	33-1/8 x 20	Template provided with approximate 1/8" reveal	10	9	3-1/2

DXF cutout templates available on our web site.



#### JOB INFORMATION

Job Name: \_\_\_\_\_

Contact: \_\_\_\_\_

Date Specified: \_\_\_\_\_

Specifier: \_\_\_\_\_

Contractor: \_\_\_\_\_