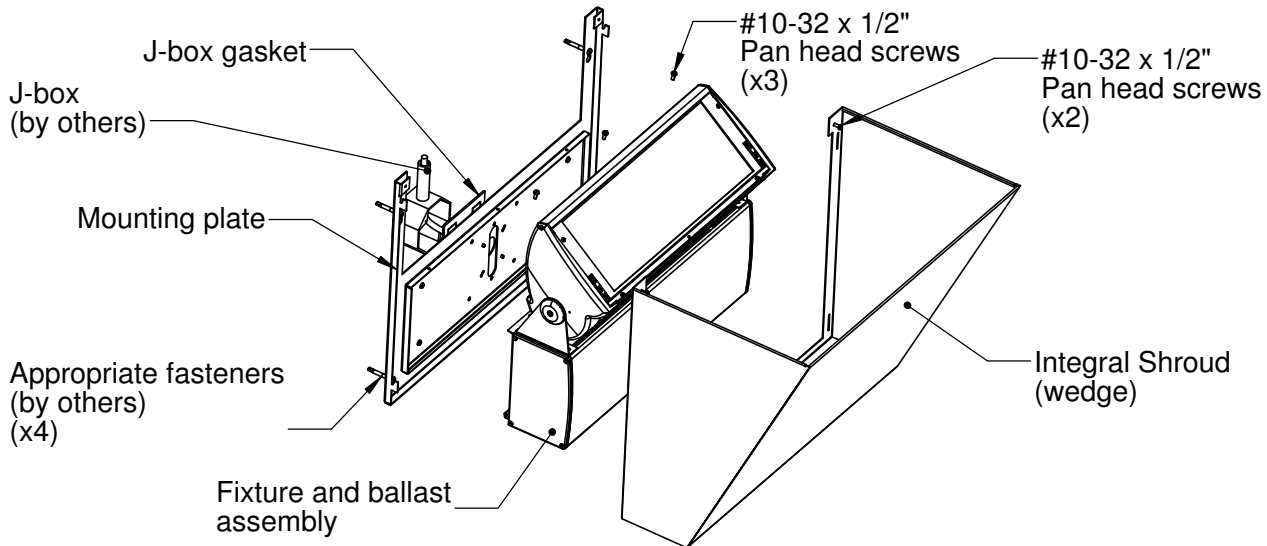


**22 1/2"**  
**Large, OUTDOOR**  
**SSixx**  
(Shroud, Integral)

**Warning:** Before starting any work ensure that all sources of power are turned off. All work must meet local/national codes and be performed by a certified electrician.

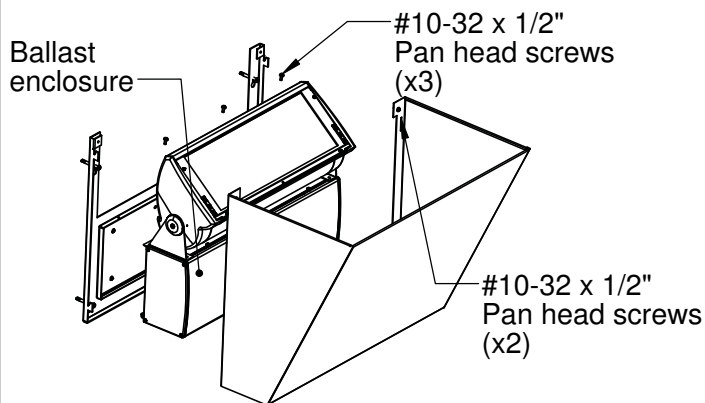
These installation instructions valid with the above Ametrix styles.

**Exploded View and Part Call-out**



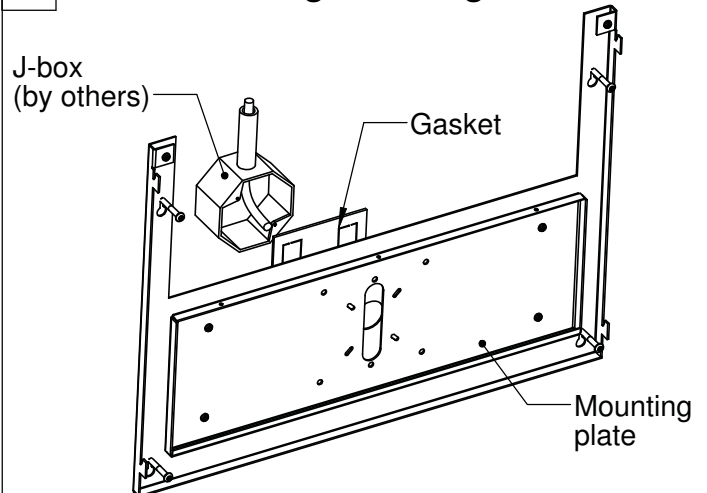
**Attention:**  
Additional bracing/ structure may be required to support fixture.

**1 Preparing Fixture for Mounting**

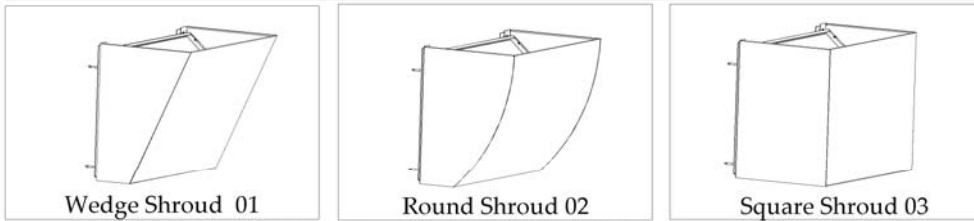


1. To mount fixture, begin by removing both #10-32 x 5/8" pan head screws and remove shroud.
2. While supporting fixture, remove all three #10-32 x 1/2" Pan head screws from behind ballast enclosure.
3. Pull fixture from mounting plate and store in a safe place.

**2 Installing Mounting Plate**



1. Using dimensions provided on page 3, install mounting plate over j-box using appropriate fasteners (by others).
2. Ensure gasket seals J-box.

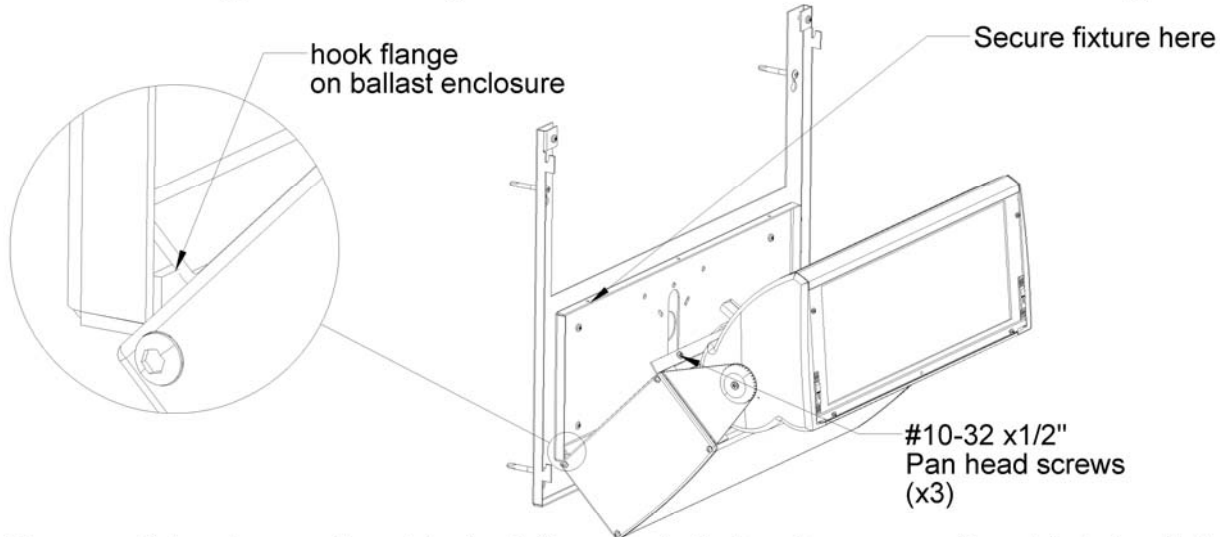


**22 1/2"**  
**Large, OUTDOOR**  
**SSlxx**  
(Shroud, Integral)

**Warning:** Before starting any work ensure that all sources of power are turned off. All work must meet local/national codes and be performed by a certified electrician. Do not mount fixtures vertically.

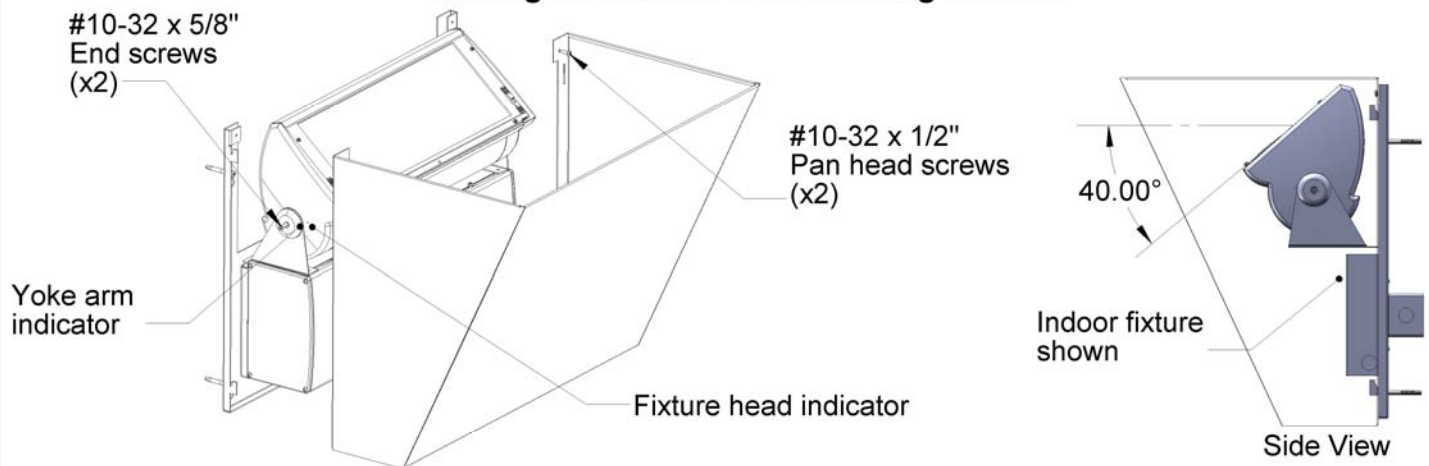
These installation instructions are valid with the above Ametrix styles

**Wiring and Securing Fixture and Ballast Enclosure to Mounting Plate**

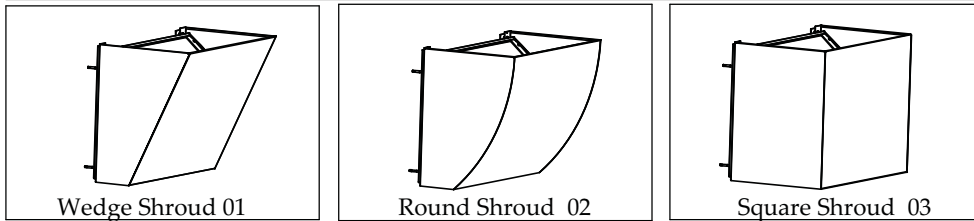


1. To secure fixture to mounting plate, hook flange on ballast enclosure mounting plate to bracket as shown in detail view. Allow fixture to hang.
2. Attach appropriate wires ensuring all connections are properly matched.
3. Swing fixture and ballast up and secure to mounting plate using all three(3) #10-32 x 1/2" pan head screws.

**Aiming the Fixture and Securing Shroud**



1. To aim fixture, loosen both #10-32 x 5/8" end screws. When the PointGrab™ system indicators are lined up, the slope of the lens face is 40-degrees. Each subsequent notch is an additional 10-degrees.
2. When the fixture head is adjusted to the desired angle, re-tighten end screws to secure the position.
3. To secure shroud, lift shroud onto mounting plate hooks and secure with 1/2" Pan head screws.

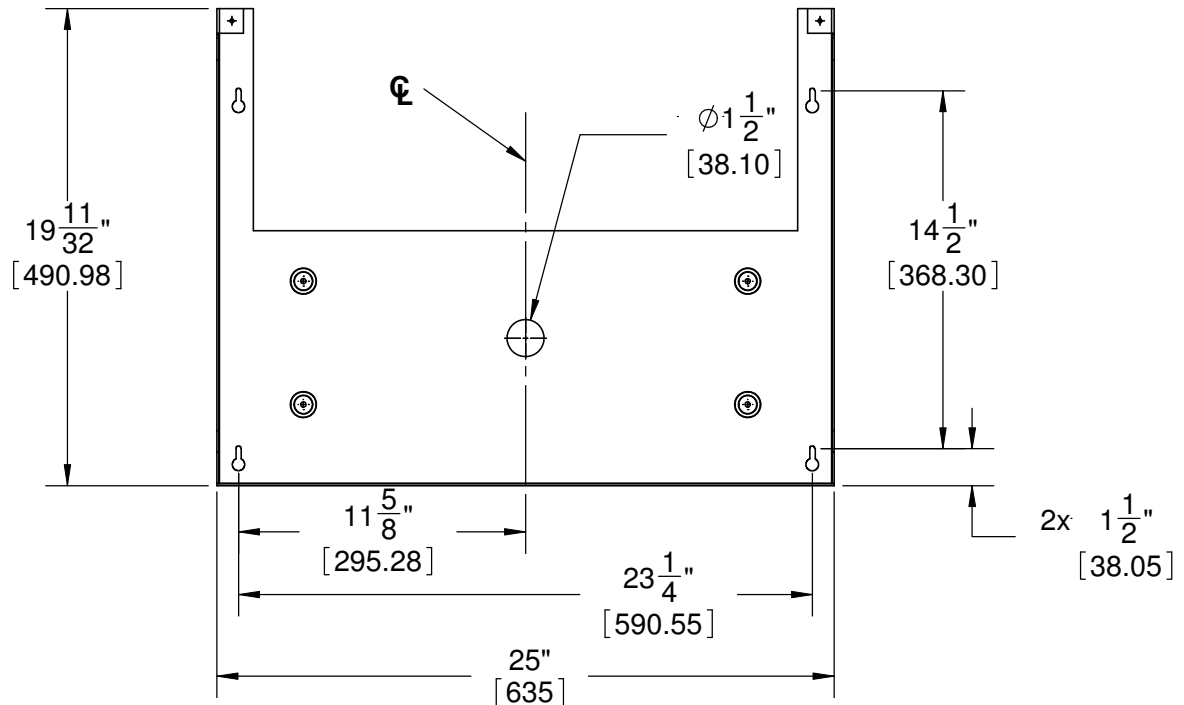


**22 1/2"**  
**Large, OUTDOOR**  
**SSlxx**  
(Shroud, Integral)

**Warning:** Before starting any work ensure that all sources of power are turned off. All work must meet local/national codes and be performed by a certified electrician. **Do not** mount fixtures vertically.

These installation instructions are valid with the above Ametrix styles

**Mounting Plate Dimensions (In and mm)**



**Lamping Size Chart**  
(lamps provided by others)

FIXTURE SIZE (inches/ mm)	WATTAGE	# OF LAMPS	LAMP TYPE	LAMP DESCRIPTION	LAMP (not to scale)
22 1/2 /571.5 mm	250 W	1	ET18	Metal Halide	
22 1/2 /571.5 mm	400 W	1	ET18	Metal Halide	
22 1/2 /571.5 mm	150 W	2	T6	Ceramic Metal Halide	
22 1/2 /571.5 mm	32 W	2	T4	Compact Fluorescent	
22 1/2 /571.5 mm	42 W	2	T4	Compact Fluorescent	
22 1/2 /571.5 mm	250 W	1	ET18	Metal Halide	
22 1/2 /571.5 mm	400 W	1	ET18	Metal Halide	
22 1/2 /571.5 mm	150 W	2	T6	Ceramic Metal Halide	
22 1/2 /571.5 mm	350 W	1	T3	Halogen(Double Ended)	
22 1/2 /571.5 mm	500 W	1	T3	Halogen(Double Ended)	