



Type:

Project:

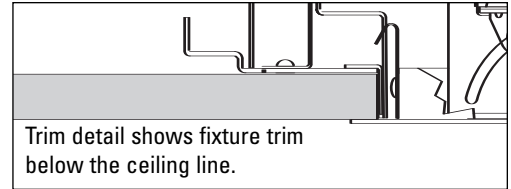
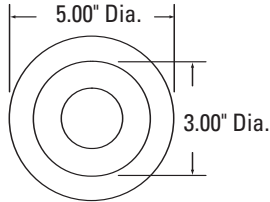


**5" Adjustable Downlight Trim
w/ Internal Specular Reflector
New Construction Housing - 4.75" Height
12V Bi-Pin Base MR16 Lamp 75 Watts Max.**

- ACT-1985WH
 - ACT-1985BK
 - ACT-1985S
 - ACT-1985SS
 - ACT-1985PM
- w/ ACT-950 Housing**

DESCRIPTION:

Recessed downlight Trim. 360° rotational and 30° (+/- 15°) angle adjustability with angle locking mechanism in trim. Housing accommodates various ceiling thicknesses.



ELECTRICAL:

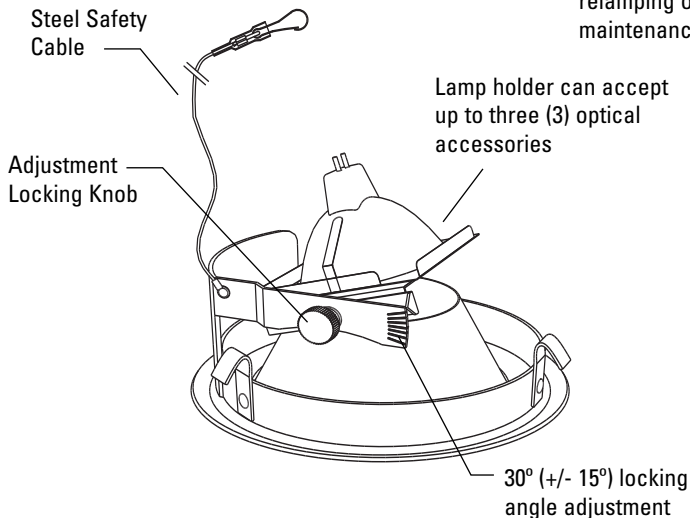
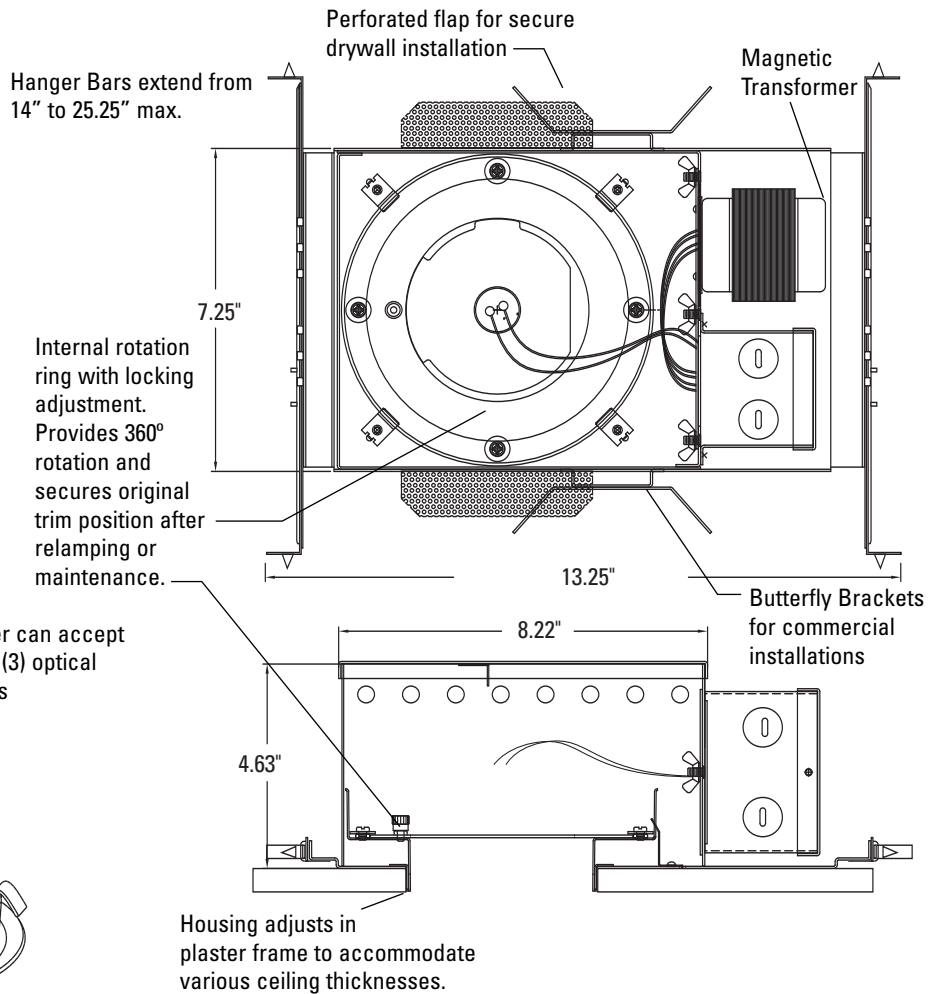
120V input, 12V output. Junction box is U.L. listed for through branch wiring.

CONSTRUCTION:

Housing and plaster frame: 18 gauge CRS
Trim ring, j-box and hanger assemblies: 16 gauge CRS.

SYSTEM PROTECTION:

Thermal protection provided to guard against overheating and misuse of insulation over and around fixture. Vent holes in housing provide cooler operation.



Item #	Description	Finish	Voltage / Wattage
ACT-1985WH / ACT-950	Accurus Series Adjustable Downlight Trim with New Construction Housing w/ Magnetic Transformer	White	12V / 75W Max.
ACT-1985BK / ACT-950		Black	
ACT-1985S / ACT-950		Silver	
ACT-1985SS / ACT-950		Stainless Steel	
ACT-1985PM / ACT-950			



For 277 volt transformer add "277" to end of item #.