

DESCRIPTION

An adjustable Single-lamp Recessed fixture with a 0.75" trim flange suitable for downlighting and accent applications. Utilizes ONE (1) 12V AR70 lamp.

For new construction applications. Insulation must be kept 3" from all sides and at least 1" above the housing.

Catalog #		Type
Project		
Comments		Date
Prepared by		

SPECIFICATION FEATURES

A... Housing

Housing, junction box & trim assembly are all steel construction. Fixture utilizes a removable trim sleeve to provide a 0.75" flange around the ceiling opening and to help conceal the inner hardware of the fixture from sight below the ceiling. Can accommodate 0.50" to 1.25" ceiling thickness. Optional Chicago Plenum configuration available.

B... System Protection:

Thermal protection provided to guard against overheating and misuse of insulation over and around fixture. Vent holes in housing provide cooler operation.

C... Junction Box

Junction Box is UL listed for through branch wiring, 6 #12 90° C supply conductors or 60° C for end of run. The fixture

is also UL listed as 'access above ceiling not required'.

D... Electrical

Electrical accessible through ceiling opening. J-Box located on the side wall of the housing behind removable access doors. Integral electronic or magnetic low voltage transformers on individually removable "trays" for easy maintenance. May also be configured for remote power.

E... Lamps

One (1) 12V AR70 lamp mounted in adjustable double gimbal. Lamp holder is individually removable and may be regressed 1" for additional cut-off. Lamp can accept up to three optical accessories (i.e. lens + hex louver + snoot). 45° x 45° locking lamp adjustment. Beveled-edge lamp ring is secured with threadless, bayonet action.

Optional retractable arm is available for lamp pull-down and extreme aiming. Double contact bayonet base sockets included.

F... Mounting

Butterfly Brackets accept 1/2" EMT, C Channel, Tbar fasteners, and bar hangers. Four tabs on housing for securing to structure.

G... Labels

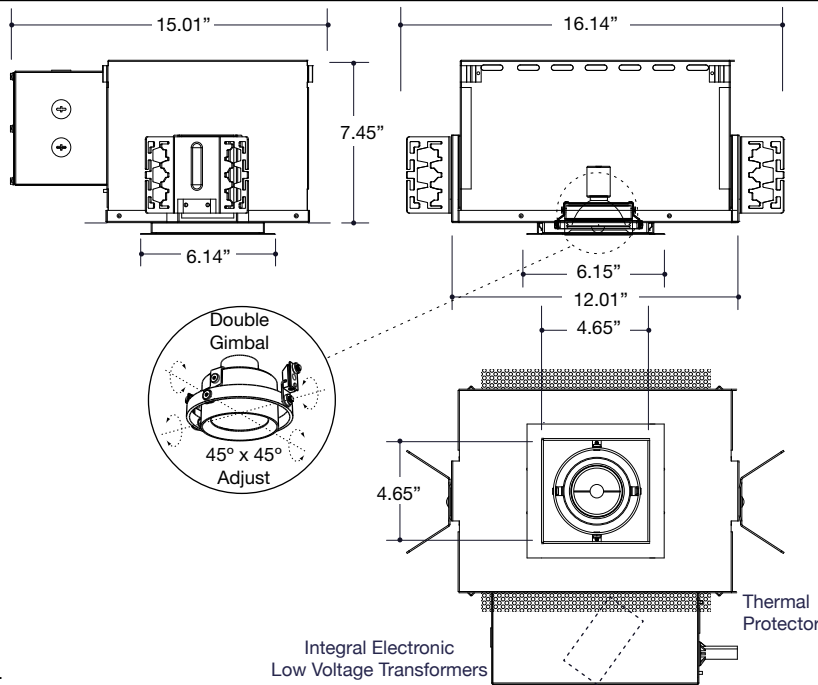
cULus listed for non-type IC applications, suitable for use in damp locations.

Ceiling Cut-Out: 5.44" x 5.44"

COMBOLIGHT® Next Generation Recessed Single-Lamp Fixture

One (1) Light
12V AR70

New Construction
Housing
w/ 0.75" Trim Flange



NOTES:
De-Rated wattage labels are available.
12V Primary voltage is available.

ORDERING INFORMATION



C1				T		
Configuration C1 = COMBOLIGHT Recessed One (1) Light	Lamp Type / Wattage Label 050A70 = 50 Watt max. AR70 12V	Power Supply Voltage 1 = 120V 2 = 277V	Lamp Mechanism G = Double Gimbal R = Retractable Double Gimbal	Trim Flange T = 0.75" Trim Flange	Trim Finish W = White B = Black S = Industrial Silver	
Housing N = New Construction C = Chicago Plenum	Power Supply E = Electronic Low Voltage Transformer M = Magnetic Low Voltage Transformer	Housing Interior/Electrical Door/Sleeve Finish W = White B = Black S = Industrial Silver				