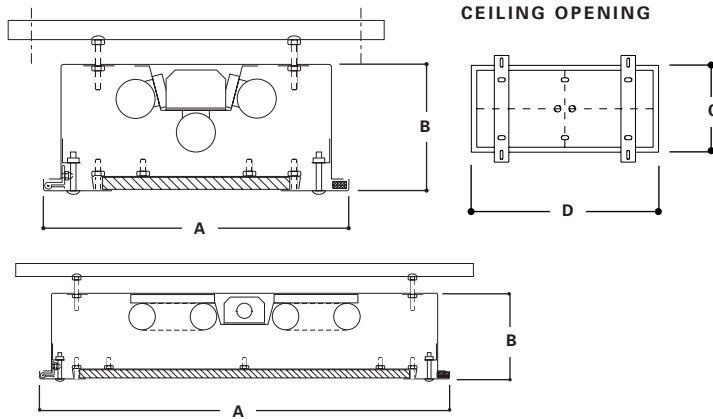


DIMENSIONS



	A	B	C	D
FMR12	12"	5"	11"	12-3/8"
1' x 1'	(305mm)	(127mm)	(279mm)	(314mm)
FMR12	12"	5"	11"	24-3/4"
1' x 2'	(305mm)	(127mm)	(279mm)	(629mm)
FMR12	12"	5"	11"	48-3/4"
1' x 4'	(305mm)	(127mm)	(279mm)	(1238mm)
FMR24	24"	5"	23"	24-3/4"
2' x 2'	(610mm)	(127mm)	(584mm)	(629mm)
FMR24	24"	5"	23"	48-3/4"
2' x 1'	(610mm)	(127mm)	(584mm)	(1238mm)

ORDERING INFORMATION

SAMPLE NUMBER: FMR-D12-340-120-80/86-LE3-GLR

Product Family FMR	Voltage 120=120V 277=277V UNV=120V through 277V	Lens Type Inner Layer (optional) 90=.005 UV Absorbing Overlay Fixture Side 80=.125 Prismatic Acrylic 81=.156 Prismatic Polycarbonate 82=.187 Prismatic Polycarbonate 93=.156 Prismatic Tempered Glass	Environmental Side 84=.125 Clear Polycarbonate 85=.187 Clear Polycarbonate 86=.250 Clear Polycarbonate 87=.375 Clear Polycarbonate 88=.500 Clear Polycarbonate 94=.187 Clear Tempered Glass 96=.250 Clear Tempered Glass 97=.375 Clear Tempered Glass 98=.500 Clear Tempered Glass	Options EBP=Emergency Battery Pack FNL=Fluorescent Night Light (Lamp by others.) GLR=Fuse and Holder ISH=Internal Security Hinge (doubles the number of fasteners) RIF=Radio Interference Filter SPK=Speaker Housing Compartment (extends housing) Auto Control Modules ACM/FNL=for FNL Stainless Steel Door SSN=Natural Brushed Finish SSP=Polyester Powder Coat Finish Fasteners SF3=Allen-Head (center pin reject)
Housing S=12 ga. (Ultimax) X=14 ga. (Maximum) D=16 ga. (Medium) N=18 ga. (Minimum)	Lamp Type 1' Nom. Length Compact Fluorescent³ 113=(1) 13W Lamp 126=(1) 26W Lamp 213=(2) 13W Lamps 226=(2) 26W Lamps 313=(3) 13W Lamps 2' Nom. Length T8 Fluorescents 117=(1) 17W Lamp 217=(2) 17W Lamps 317=(3) 17W Lamps 417=(4) 17W Lamps ⁴ T12 Fluorescents² 120=(1) 20W Lamp 220=(2) 20W Lamps 320=(3) 20W Lamps 420=(4) 20W Lamps ⁴ Biaxial Fluorescents 140BX=(1) 40W Lamp 240BX=(2) 40W Lamps 340BX=(3) 40W Lamps ⁴ 440BX=(4) 40W Lamps ⁴	T8 U-Lamp 1U6T8=32W Lamp 1U 1 5/8=31W Lamp 2U6T8=(2) 32W Lamps ⁴ 2U15/8=(2) 31W Lamps 3U15/8=(3) 31W Lamps ⁴ 4' Nom. Length T8 Fluorescents 132=(1) 32W Lamp 232=(2) 32W Lamps 332=(3) 32W Lamps 432=(4) 32W Lamps ⁴ T12 Fluorescents 140=(1) 40W Lamp 240=(2) 40W Lamps 340=(3) 40W Lamps 440=(4) 40W Lamps ⁴	Ballast Blank=Magnetic Ballast (Standard) ⁵ LECO8=T8 Energy Saving Ballast LE3=40W T12 Energy Saving Ballast Electronic Ballast¹ EBT1=(1) Ballast for use with Compact Fluorescent Lamp ³ EBT2=(2) Ballasts for use with Compact Fluorescent Lamp ³ EB81=(1) Ballast for use with T8 Lamp EB82=(2) Ballasts for use with T8 Lamp EB21=(1) Ballast for use with T12 Lamp ² EB22=(2) Ballasts for use with T12 Lamp ² EBX1=(1) Ballast for use with Biaxial Lamp EBX2=(2) Ballasts for use with Biaxial Lamp	Accessories (Order Separately) 9306=Allen-Head Wrench MF12-2FT ³ =Plaster Frame and Yoke Assembly MF12-4FT ³ =Plaster Frame and Yoke Assembly MF24-2FT ⁴ =Plaster Frame and Yoke Assembly MF24-4FT ⁴ =Plaster Frame and Yoke Assembly VRSD=TORX®-Head Vandal Resistant Screwdriver

DESCRIPTION

The Fail-Safe FMR Series combines maximum security construction features with energy saving technology. This recessed luminaire is designed for applications utilizing solid ceiling plaster or drywall construction. Luminaire utilizes a one-piece overlapping door frame, security lensing and tamper resistant fasteners to maximize impact resistance and prevent contraband concealment and unauthorized fixture penetration. U.L. listed and C.S.A. certified for wet locations.



FMR

1 3 W - 1 6 0 W
Fluorescent

**MAXIMUM SECURITY
RECESSED LUMINAIRE
SOLID CEILING
PLASTER OR DRYWALL**

- Lens choice of prismatic acrylic, prismatic polycarbonate or prismatic tempered glass on fixture side, clear polycarbonate or clear tempered glass on environmental side
- Stainless steel tamper-resistant TORX® screws with center pin reject are standard. Allen-head screws with center pin reject are optional
- Die-formed 12 ga.–18 ga. CRS body with welded corners. Standard white high reflectance polyester powder coat finish
- Lens secured by thru-studs and vertically adjustable internal CRS hold-downs
- Continuous, concealed piano hinge
- One-piece, CRS door frame with die-formed edges and tightly closed corners
- Standard Class P, CBM/ETL ballast
- Polyurethane gasketing surrounds door frame
- 16 ga., galvanized steel mounting channels and plaster frame assembly (order as accessory)
- U.L. listed, C.S.A. certified, standard wet label

Notes: For additional options, consult your Cooper Lighting Representative. Specifications and Dimensions subject to change without notice. Electronic ballast may cause interference with other electronic devices. If interference occurs, move the device away from the product or plug/connect into a different circuit/outlet.

¹ For specific electronic ballast, specify brand and catalog number. ² Electronic ballast not available for F20T12 lamps. ³ 12" width only. ⁴ 24" width only. ⁵ For use with Compact Fluorescent, Biaxial, and 20W T12 lamps. ⁶ For additional information about the TCS option see pages 1106 and 1107.