

FEATURED MODEL

515-546 Metallic Gray, 10" and 10" bowl depths

ADDITIONAL MODELS

515-547 White, 10" and 10" bowl depths

515-549 Biscuit, 10" and 10" bowl depths

515-550 Anthracite, 10" and 10" bowl depths

515-551 Café Brown, 10" and 10" bowl depths

FEATURES

- 80% rock hard granite
- Color all the way through
- Highly resistant to scratching, staining and all household acids and alkali solutions
- Non-porous, easy-to-clean
- Heat resistant to 536° F
- Extremely hygienic, does not absorb odors or bacteria

CODE/STANDARDS COMPLIANCE

ANSI Z124.6-97

IAPMO/UPC listed

OPTIONAL ACCESSORIES

Sink Grids: 222-469 (Right Bowl)

222-429 (Left Bowl)

Cutting Board: 222-587

WARRANTY

Blanco America's SILGRANIT® Series sinks feature a LIMITED LIFETIME WARRANTY to be free of all manufacturing defects under normal use. See our complete warranty for details.

While Blanco America endeavors to provide accurate information, all dimensions are nominal, cannot be guaranteed, and are subject to change or cancellation. Blanco America assumes no responsibility for use of superseded or voided specifications.

PRODUCT SPECIFICATION

Undermount sink to be equal double bowl design, 33" in length and 20" in front-to-back depth. Sink to be made from Silgranit® hard composite material. Sink to feature rear drain placement with left bowl depth of 10" and right bowl depth of 10". Sink to be Blanco (Check one)

- Model 515-546 Model 515-547
 Model 515-549 Model 515-550
 Model 515-551

Metallic Gray 515-546

White 515-547

Biscuit 515-549

Anthracite 515-550

Café Brown 515-551

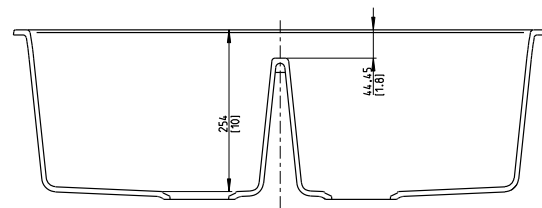
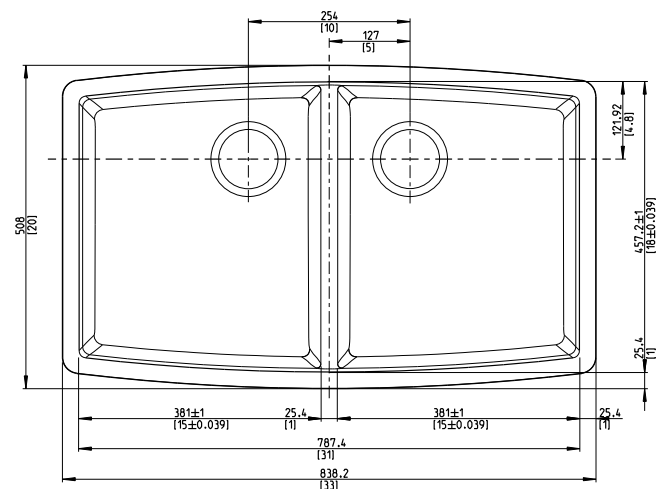


MODEL 515-546

NOMINAL DIMENSIONS

| OVERALL | CUTOUT SIZE | BOWL DEPTH | | DRAIN DIAMETER |
|---------|--|------------|-------|----------------|
| | | LEFT | RIGHT | |
| 33 x 20 | Template provided with approximate 1/8" reveal | 10 | 10 | 3-1/2 |

DXF cutout templates available on our web site.



JOB INFORMATION

Job Name: _____

Contact: _____

Date Specified: _____

Specifier: _____

Contractor: _____