

FEATURED MODEL

513-827 Metallic Gray, 8" & 5-1/8" bowl depths

ADDITIONAL MODELS

513-828 White 8" & 5-1/8" bowl depths

513-829 Biscuit, 8" & 5-1/8" bowl depths

513-830 Anthracite, 8" & 5-1/8" bowl depths

FEATURES

- 80% rock hard granite
- Color all the way through
- Highly resistant to scratching, staining and all household acids and alkali solutions
- Non-porous, easy-to-clean
- Heat resistant to 536° F
- Extremely hygienic, does not absorb odors or bacteria

CODE/STANDARDS COMPLIANCE

ANSI Z124.6-97

IAPMO/UPC listed

OPTIONAL ACCESSORIES

Colander: 215-651

WARRANTY

Blanco America's SILGRANIT® Series sinks feature a "NO HASSLE" LIMITED LIFETIME WARRANTY to be free of all manufacturing defects under normal use. See our complete warranty for details.

While Blanco America endeavors to provide accurate information, all dimensions are nominal, cannot be guaranteed, and are subject to change or cancellation. Blanco America assumes no responsibility for use of superseded or voided specifications.

PRODUCT SPECIFICATION

Undermount sink to be 1-1/2 prep bowl design, 21-7/8" in length and 18-1/8" in front-to-back depth. Sink to be made from Silgranit® hard composite material. Sink to feature rear drain placement and straight bowl sides with 5/8" cutout corner radius. Sink to be Blanco (Check one)

Model 513-828 Model 513-829

Model 513-830 Model 513-827

with left bowl depth of 8" and right bowl depth of 5-1/8".

White 513-828

Biscuit 513-829

Anthracite 513-830

Metallic Gray 513-827

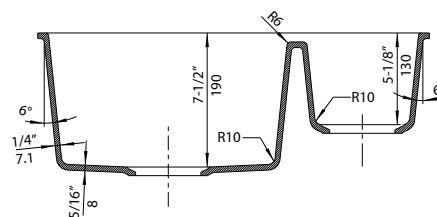
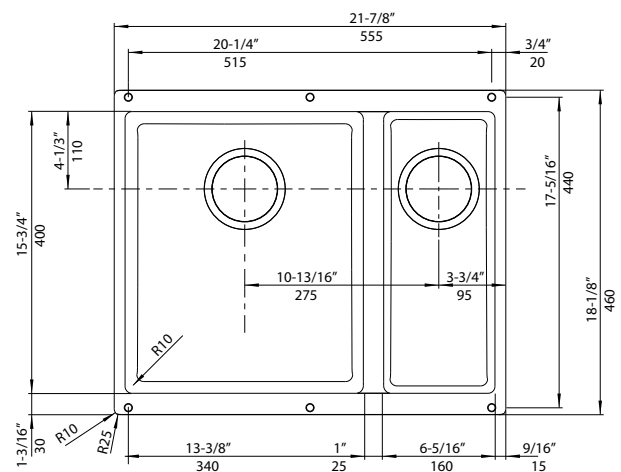


MODEL 513-827 Shown

NOMINAL DIMENSIONS

OVERALL	CUTOUT SIZE	BOWL DEPTH		DRAIN DIAMETER	
		LEFT	RIGHT	LEFT	RIGHT
21-7/8 x 18-1/8	Template provided with approximate 1/8" reveal	8	5-1/8	3-1/2	3-1/2

DXF cutout templates available on our web site.



JOB INFORMATION

Job Name: _____

Contact: _____

Date Specified: _____

Specifier: _____

Contractor: _____

BLANCO AMERICA

800.451.5782

www.blancoamerica.com

© 2007 BLANCO AMERICA

04/07

SPEC-003