

#### FEATURED MODEL

513-642 Medium, 10" bowl depth

#### ADDITIONAL MODELS

513-641 Large, 10" bowl depth

513-644 Super Single, 10" bowl depth

#### FEATURES

- 18 gauge, 304 series stainless steel
- 18/10 chrome/nickel content
- Long-lasting, easy-to-clean, satin polished finish
- Sound deadening insulation
- Rear drain placement

#### CODE/STANDARDS COMPLIANCE

ASME 112.19.3-00

IAPMO/UPC listed

#### OPTIONAL ACCESSORIES

Sink Grid: 220-584

Cutting Board: 513-141

Colander: 514-015

#### WARRANTY

Blanco America's BLANCOPERFORMA sinks feature a "NO HASSLE" LIMITED LIFETIME WARRANTY to be free of all manufacturing defects under normal use. See our complete warranty for details.

While Blanco America endeavors to provide accurate information, all dimensions are nominal, cannot be guaranteed, and are subject to change or cancellation. Blanco America assumes no responsibility for use of superseded or voided specifications.

#### PRODUCT SPECIFICATION

Undermount medium sink to be single bowl design, 20" in length and 17" in front-to-back depth. Sink to be made from 18 gauge, 304 series stainless steel, with 18/10 chrome/nickel content and long-lasting, easy-to-clean, satin polished finish. Sink to feature rear drain placement. Sink to be Blanco Model 513-642, with bowl depth of 10".

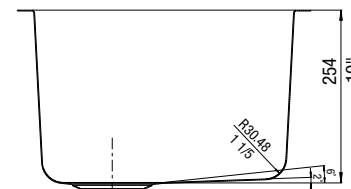
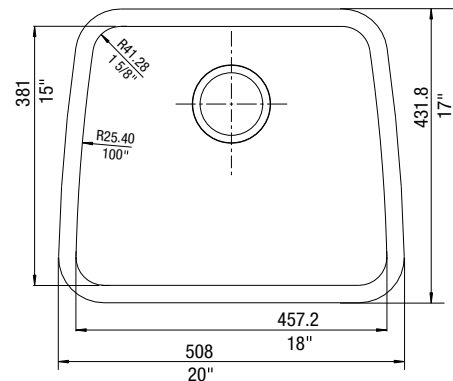


MODEL 513-642

#### NOMINAL DIMENSIONS

MODEL	OVERALL	CUTOUT SIZE	BOWL DEPTH	DRAIN DIAMETER
513-642	20 x 17	Template provided with approximate 1/8" reveal	10	3-1/2

DXF cutout templates available on our web site.



#### JOB INFORMATION

Job Name: \_\_\_\_\_

Contact: \_\_\_\_\_

Date Specified: \_\_\_\_\_

Specifier: \_\_\_\_\_

Contractor: \_\_\_\_\_