

FEATURED MODEL

513-611 7" & 8" bowl depths

FEATURES

- 18 gauge, 304 series stainless steel
- 18/10 chrome/nickel content
- Easy-to-clean, Silver Ease™ matte finish
- Rear drain placement

CODE/STANDARDS COMPLIANCE

ASME 112.19.3-00

IAPMO/UPC listed

OPTIONAL ACCESSORIES

Sink Grid: 510-901, 512-944

Colanders: 215-651, 510-889, 508-803

WARRANTY

Blanco America's BLANCONORSTAR™ sinks feature a "NO HASSLE" LIMITED LIFETIME WARRANTY to be free of all manufacturing defects under normal use. See our complete warranty for details.

While Blanco America endeavors to provide accurate information, all dimensions are nominal, cannot be guaranteed, and are subject to change or cancellation. Blanco America assumes no responsibility for use of superseded or voided specifications.

PRODUCT SPECIFICATION

Undermount sink to be 1-3/4 bowl design, 35-7/16" in length and 20-7/8" in front-to-back depth. Sink to be made from 18 gauge, 304 series stainless steel, with 18/10 chrome/nickel content and Silver Ease™ matte finish. Sink to feature rear drain placement. Sink to be Blanco Model 513-611, with left bowl depth of 7" and right bowl depth of 8".

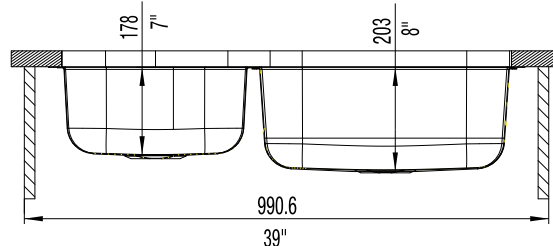
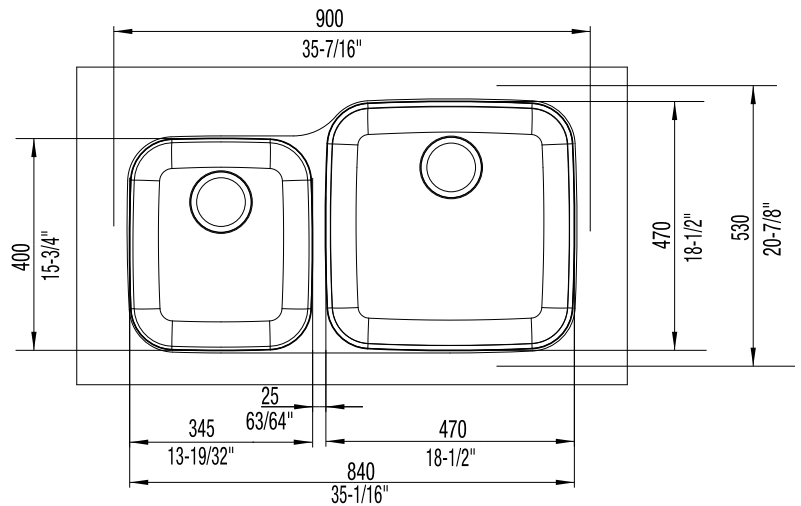


MODEL 513-611

NOMINAL DIMENSIONS

MODEL	OVERALL	CUTOUT SIZE	BOWL DEPTH		DRAIN DIAMETER
			LEFT	RIGHT	
513-611	35-7/16 x 20-7/8	Template provided with approximate 1/8" reveal	7	8	3-1/2

DXF cutout templates available on our web site or this specification CD.



JOB INFORMATION

Job Name: _____

Contact: _____

Date Specified: _____

Specifier: _____

Contractor: _____