

FEATURED MODEL

511-660 Biscuit, 8" & 6" bowl depths

ADDITIONAL MODELS

511-661 White, 8" & 6" bowl depths

511-662 Anthracite, 8" & 6" bowl depths

511-663 Metallic Gray, 8" & 6" bowl depths

511-664 Café Brown, 8" & 6" bowl depths

FEATURES

- Flat sink deck allows for both drop-in and undermount installation
- 80% rock hard granite
- Color all the way through
- Highly resistant to scratching, staining and all household acids and alkali solutions
- Non-porous, easy-to-clean
- Heat resistant to 536° F
- Extremely hygienic, does not absorb odors or bacteria

CODE/STANDARDS COMPLIANCE

ANSI Z124.6-97

IAPMO/UPC listed

OPTIONAL ACCESSORIES

Sink Grid: 221-012 (Formerly 511-936)

Cutting Board: 511-137

Deluxe Strainers: 950-224, 950-225

WARRANTY

Blanco America's SILGRANIT® Series sinks feature a LIMITED LIFETIME WARRANTY to be free of all manufacturing defects under normal use. See our complete warranty for details.

While Blanco America endeavors to provide accurate information, all dimensions are nominal, cannot be guaranteed, and are subject to change or cancellation. Blanco America assumes no responsibility for use of superseded or voided specifications.

PRODUCT SPECIFICATION

Drop-In/Undermount sink to be 1-1/2 bowl design, 20-1/2" in length and 15" in front-to-back depth. Sink to be made from Silgranit® hard composite material. Sink to feature straight bowl sides with 5/8" cutout corner radius. Sink to be Blanco (Check one)

- Model 511-660 Model 511-661
 Model 511-662 Model 511-663
 Model 511-664

with left bowl depth of 8" and right bowl depth of 6".
 Additional knockout hole location: _____.

White 511-661

Biscuit 511-660

Anthracite 511-662

Metallic Gray 511-663

Café Brown 511-664

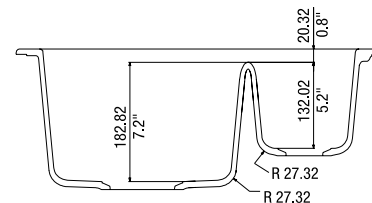
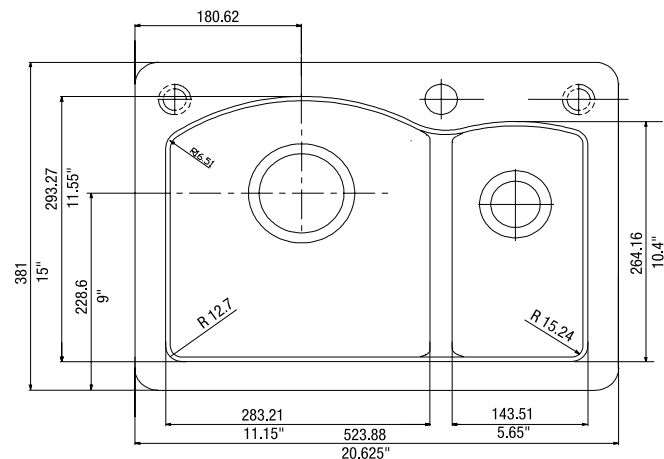


MODEL 511-660 Shown

NOMINAL DIMENSIONS

OVERALL	CUTOUT SIZE	BOWL DEPTH		DRAIN DIAMETER	
		LEFT	RIGHT	LEFT	RIGHT
20-1/2 x 15	19-3/4 x 14-1/4	8	6	3-1/2	2

DXF cutout templates (Undermount and Drop-In versions) available on our web site.



JOB INFORMATION

Job Name: _____

Contact: _____

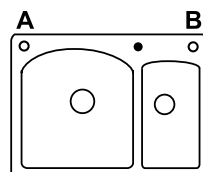
Date Specified: _____

Specifier: _____

Contractor: _____

KNOCKOUT HOLE LOCATIONS

Pre-drilled for single-hole faucet.



BLANCO AMERICA
800.451.5782
www.blancoamerica.com