

FEATURED MODEL

509-303 6" bowl depth

FEATURES

- 18 gauge, 304 series stainless steel
- 18/10 chrome/nickel content
- Long-lasting, easy-to-clean, satin polished finish
- Rear drain placement

CODE/STANDARDS COMPLIANCE

ASME 112.19.3-00
 IAPMO/UPC listed

WARRANTY

Blanco America's Platinum Series sinks feature a "NO HASSLE" LIMITED LIFETIME WARRANTY to be free of all manufacturing defects under normal use. See our complete warranty for details.

While Blanco America endeavors to provide accurate information, all dimensions are nominal, cannot be guaranteed, and are subject to change or cancellation. Blanco America assumes no responsibility for use of superseded or voided specifications.

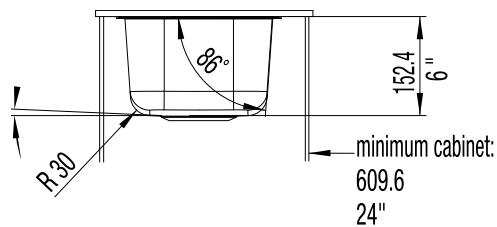
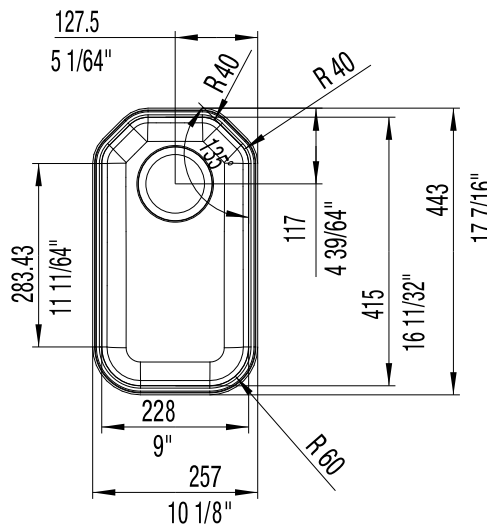


MODEL 509-303

NOMINAL DIMENSIONS

| MODEL | OVERALL | CUTOUT SIZE | BOWL DEPTH | DRAIN DIAMETER |
|---------|------------------|--|------------|----------------|
| 509-303 | 10-1/8 x 17-7/16 | Template provided with approximate 1/8" reveal | 6 | 3-1/2 |

DXF cutout templates available on our web site or this specification CD.



PRODUCT SPECIFICATION

Undermount sink to be 1/2 bowl design, 10-1/8" in length and 17-7/16" in front-to-back depth. Sink to be made from 18 gauge, 304 series stainless steel, with 18/10 chrome/nickel content and satin polished finish. Sink to feature rear drain placement. Sink to be Blanco Model 509-303, with bowl depth of 6".

JOB INFORMATION

Job Name: _____

Contact: _____

Date Specified: _____

Specifier: _____

Contractor: _____