

FEATURED MODEL

157-149-ST BLANCOBISTRO™ One Handle in
Stainless (Satin Nickel)

ADDITIONAL MODELS

157-149-CR Polished Chrome

FEATURES

- Solid brass body
- Ceramic disc cartridge
- Reversible mounting hardware adapts to thick or thin mounting surfaces
- 2.2 G.P.M. flow rate
- Installation in a 1-3/8" hole
- Cold water only

CODE/STANDARDS COMPLIANCE

ASME A112.18.1-2005

IAPMO Listed

WARRANTY

Blanco America's Bar faucets feature a "NO HASSLE" LIMITED LIFETIME WARRANTY to be free of all manufacturing defects under normal use. See our complete warranty for details.

While Blanco America endeavors to provide accurate information, all dimensions are nominal, cannot be guaranteed, and are subject to change or cancellation. Blanco America assumes no responsibility for use of superseded or voided specifications.

PRODUCT SPECIFICATION

Decorative bar faucet to include single lever handle with solid brass body and ceramic disc cartridge. Faucet dimensions to be as follows: Reach: 5-1/2"; Spout Height: 5-7/8". Cold water use only. Reversible mounting hardware to adapt to thick or thin mounting surfaces. Decorative bar faucet to be BLANCOBISTRO™ One Handle, Model 157-149-_____ in _____ finish.

Polished Chrome 157-149-CR

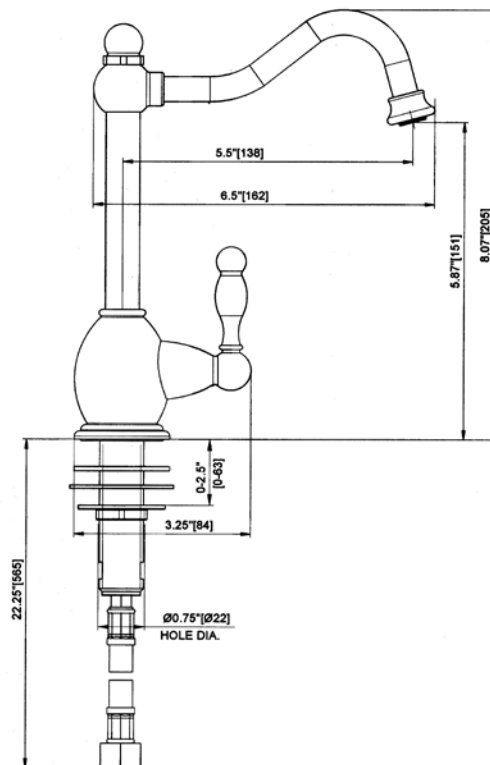
Stainless (Satin Nickel) 157-149-ST



MODEL 157-149

NOMINAL DIMENSIONS

MODEL	REACH	SPOUT HEIGHT	FAUCET HEIGHT
157-149	5-1/2	5-7/8	7-3/4



See next page for exploded parts drawing and parts list.

JOB INFORMATION

Job Name: _____

Contact: _____

Date Specified: _____

Specifier: _____

Contractor: _____

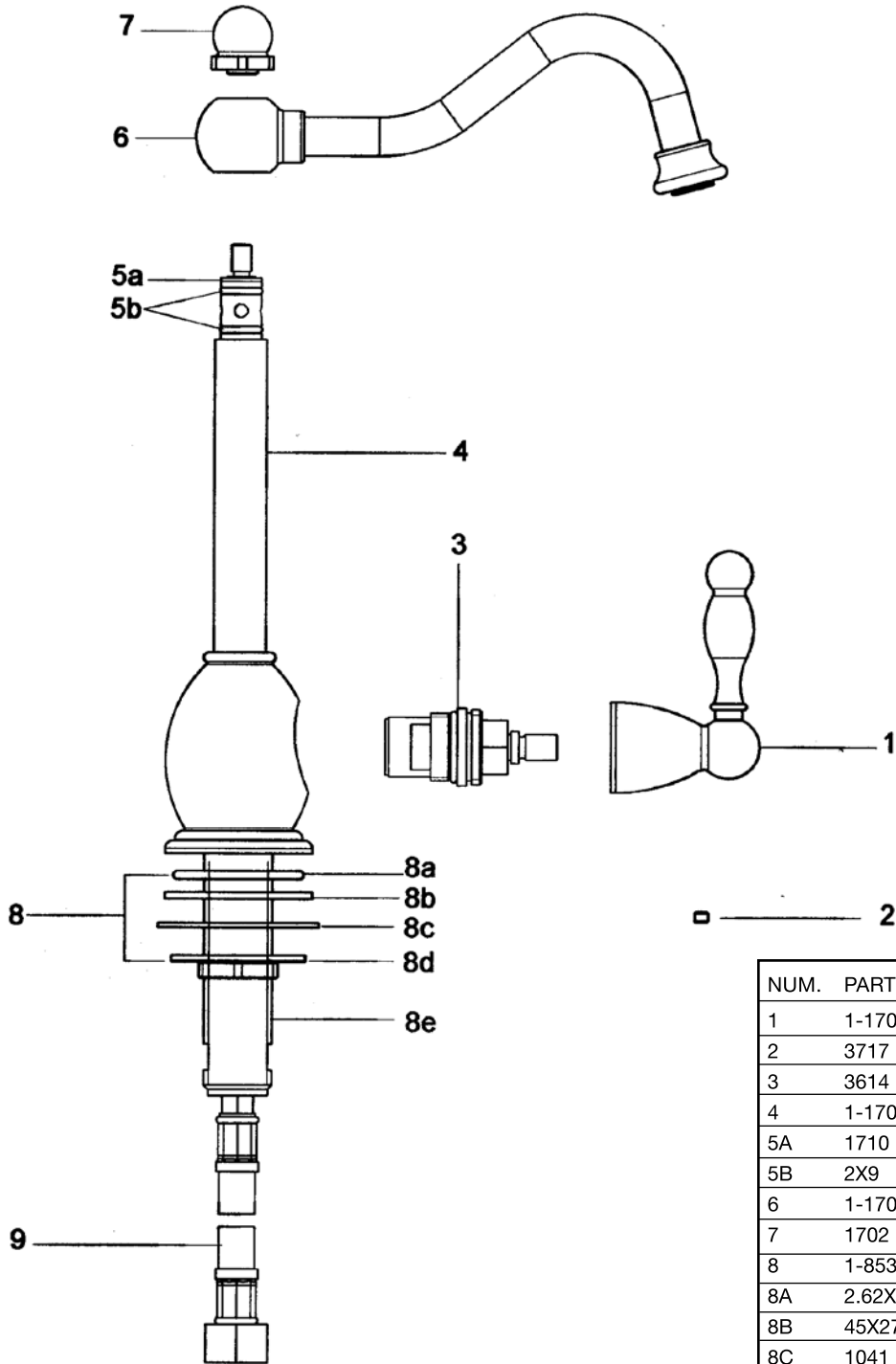
BLANCO AMERICA

800.451.5782

www.blancoamerica.com

BLANCOBISTRO™ ONE HANDLE

MODEL 157-149



NUM.	PART #	DESCRIPTION
1	1-1706	HANDLE ASSY
2	3717	SCREW
3	3614	CERAMIC HEAD WORK
4	1-1700	BODY ASSY
5A	1710	TEFLON WASHER
5B	2X9	O-RING
6	1-1704	SPOUT ASSY
7	1702	KNOB
8	1-853	MOUNTING NUT ASSY
8A	2.62X34.59	O-RING
8B	45X27.5X2	RUBBER WASHER
8C	1041	S.S. WASHER
8D	853	NUT
8E	1709	SLEEVE
9	2350	INLET HOSE