

FEATURED MODEL

157-011-CR BLANCOMILANO™ Bar Faucet in Polished Chrome

ADDITIONAL MODELS

157-011-ST Stainless (Satin Nickel)

157-011-ANTH Anthracite

FEATURES

- Solid brass body
- Ceramic disc cartridge
- Reversible mounting hardware adapts to thick or thin mounting surfaces
- 2.2 G.P.M. flow rate
- Installation in a 1-3/8" hole

CODE/STANDARDS COMPLIANCE

ASME A112.18.1M-2003

IAPMO Listed

WARRANTY

Blanco America's Bar faucets feature a "NO HASSLE" LIMITED LIFETIME WARRANTY to be free of all manufacturing defects under normal use. See our complete warranty for details.

While Blanco America endeavors to provide accurate information, all dimensions are nominal, cannot be guaranteed, and are subject to change or cancellation. Blanco America assumes no responsibility for use of superseded or voided specifications.

PRODUCT SPECIFICATION

Bar faucet to include decorative lever handle with solid brass body and ceramic disc cartridge. Faucet dimensions to be as follows: Reach: 7-1/4"; Spout Height: 7-3/16". Reversible mounting hardware to adapt to thick or thin mounting surfaces. Bar faucet to be BLANCOMILANO™, Model 157-011-_____ in _____ finish.

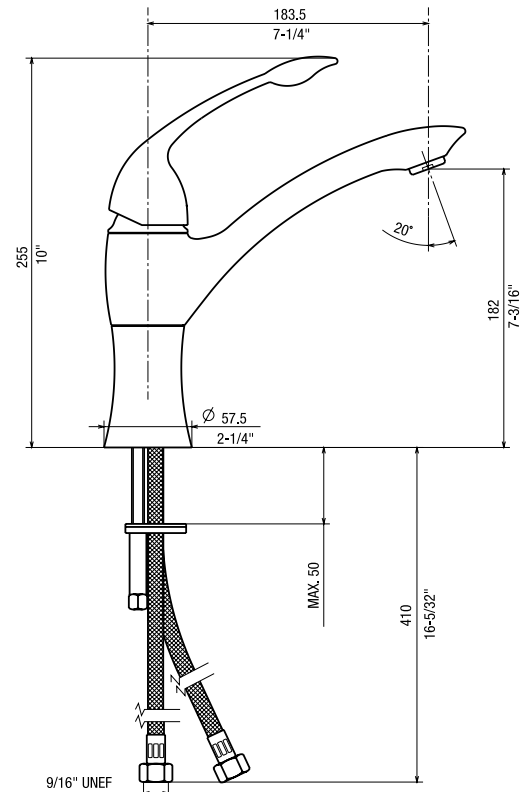
- Polished Chrome 157-011-CR
- Stainless (Satin Nickel) 157-011-ST
- Anthracite 157-011-ANTH



MODEL 157-011

NOMINAL DIMENSIONS

MODEL	REACH	SPOUT HEIGHT	FAUCET HEIGHT
157-011	7-1/4"	7-3/16"	10"



JOB INFORMATION

Job Name: _____

Contact: _____

Date Specified: _____

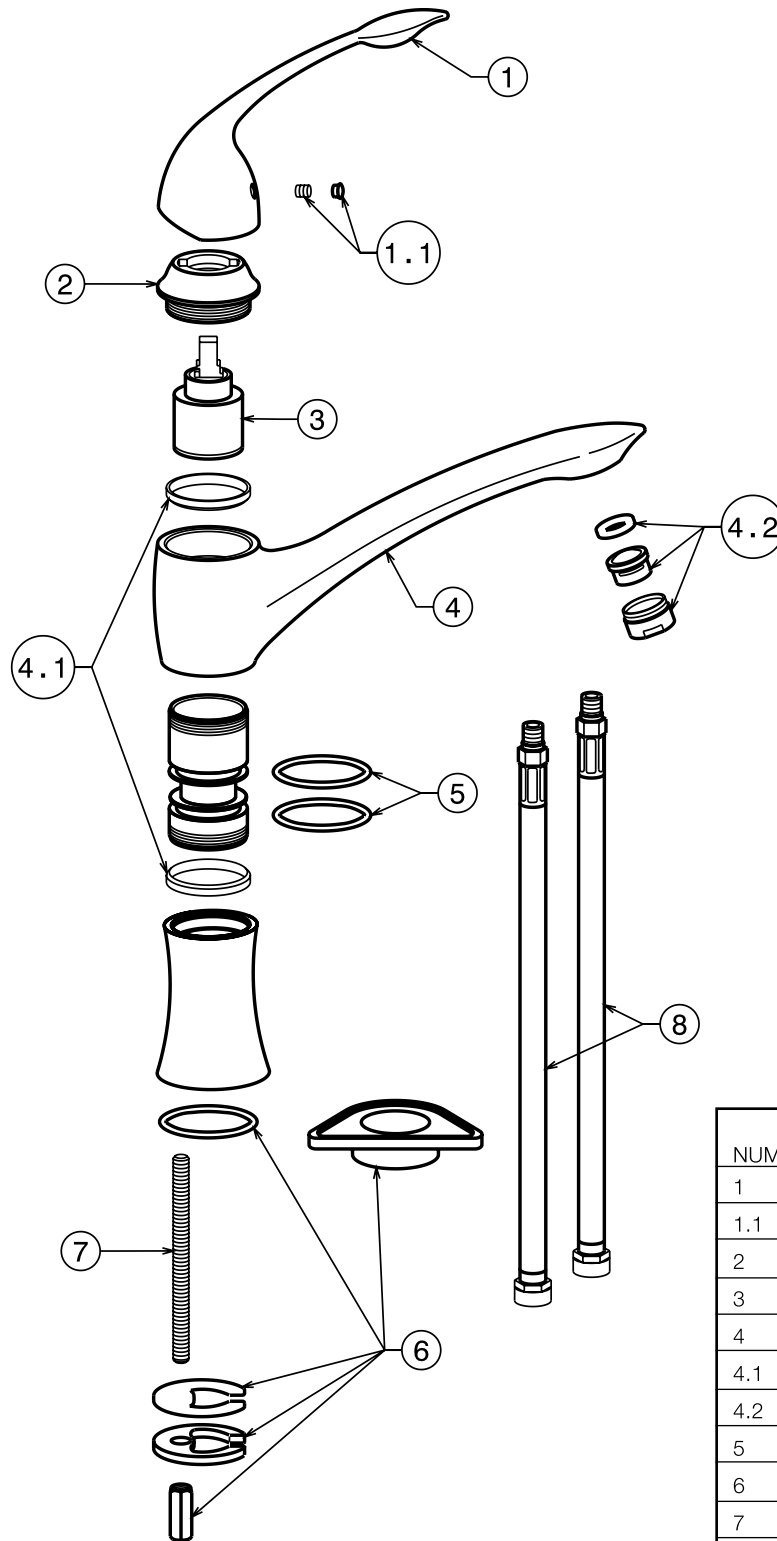
Specifier: _____

Contractor: _____

See next page for exploded parts drawing and parts list.

BLANCO AMERICA
800.451.5782
www.blancoamerica.com

BLANCOMILANO™ MODEL 157-011



NUM.	DOC. PART #
1	16200
1.1	14538
2	16201
3	14720
4	16280
4.1	16281
4.2	89
5	15608
6	17929
7	16992
8	15007