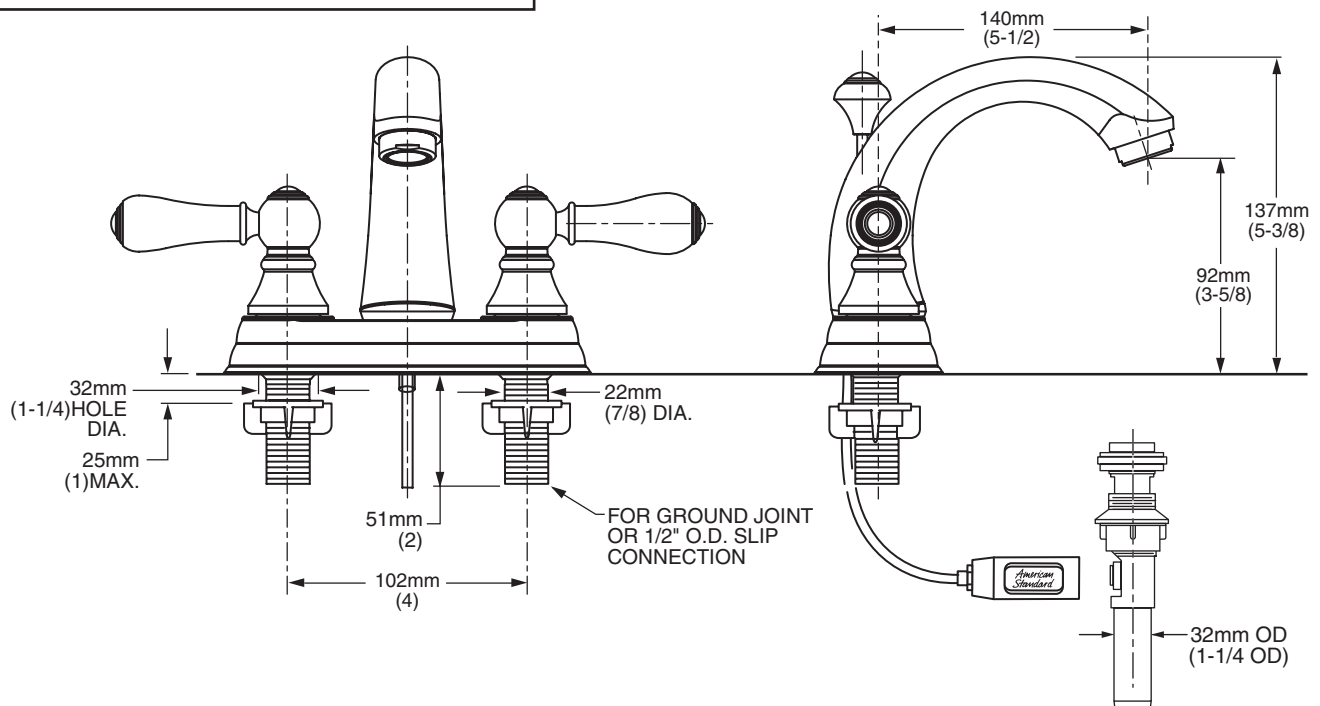




MODEL NUMBER:

- ❑ **2904.222.099 Centerset Lavatory**
Speed Connect™ drain. 2 sets of handles included (Metal levers and Porcelain levers). Polished Brass (PVD) finish.



GENERAL DESCRIPTION:

Durable cast brass spout and metal lever handles. Cast brass waterway with one-half inch male inlet shanks. 1/4 turn washerless ceramic disc valve cartridges. 20 inch (500 mm) long flexible stainless steel drain cable is pre-assembled to faucet body. Non-Metallic Speed Connect™ drain body with 1-1/4" (32 mm) tail piece. 1.5 gpm / 5.7 L/min maximum flow rate.

PRODUCT FEATURES:

Exclusive Speed Connect™ Drain

- 1/3 the parts, installs in 1/3 the time.
- No tools or plumbers putty required for installation.
- No adjustments required - seals the first time, every time.
- Flexible stainless steel cable - installs effortlessly in tight spaces.

Ceramic Disc Valve Cartridges: Provide a lifetime of smooth handle operation and drip-free performance

Cast Brass Spout and Waterway: For durability and long life. Easy to clean, seamless design.

Lifetime Warranty: On function and finish

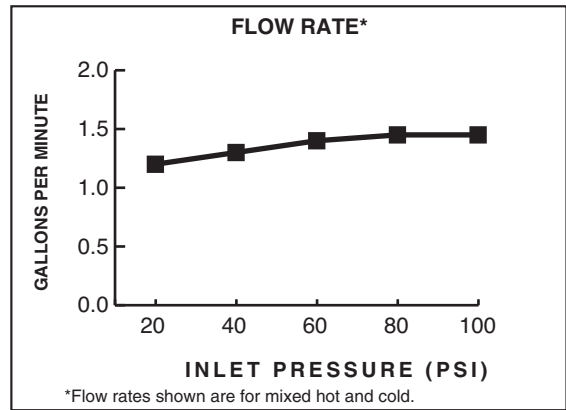
SUGGESTED SPECIFICATION:

4" centerset lavatory faucet shall feature cast brass construction with 1/2" male inlet shanks. Shall also feature 1/4 turn washerless ceramic disc valve cartridges. Shall also feature the Speed Connect™ Drain with stainless steel cable actuation. Shall include 2 sets of handles (metal levers and porcelain levers). Fitting shall be American Standard Model # 2904.222.099.

CODES AND STANDARDS

These products meet or exceed the following codes and standards:

- ASME A112.18.1M**
- CSA B 125**
- NSF 61/Section 9**



Product Number	Description
2904.222.099	Lavatory faucet with Non-Metallic Speed Connect™ pop-up drain. 2 sets of handles included (metal levers and porcelain levers). Polished Brass (PVD) finish.



Meets the American Disabilities Act Guidelines and **ANSI A117.1** Requirements for the physically challenged.