

American Standard

Williamsburg™

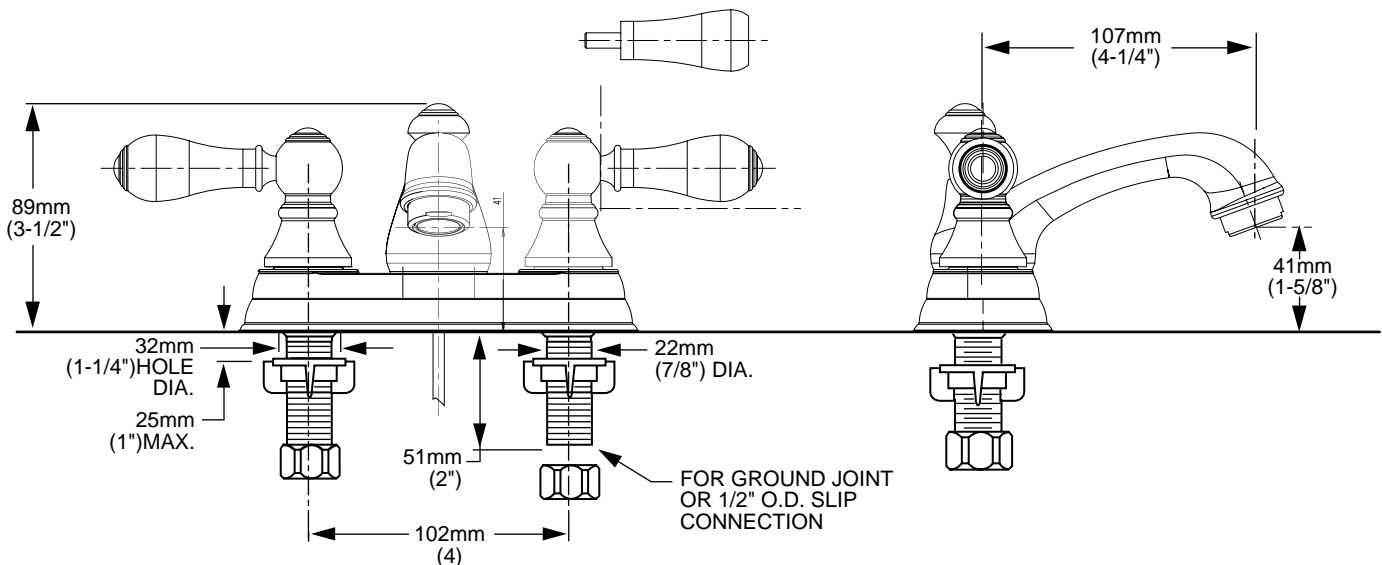
TWO-HANDLE CENTERSET LAVATORY FAUCET WITH BRASS TRADITIONAL SPOUT

MODEL NUMBER:

- 2804.222 Centerset Lavatory**
Pop-up drain. 2 sets of handles included (metal levers and porcelain levers).
- 2804.224 Centerset Lavatory**
Pop-up drain. Metal Lever handles.



2804.224 Shown



GENERAL DESCRIPTION:

Durable cast brass construction. 1/4 turn washerless ceramic disc valve cartridges - reversible for use with either lever or cross handles. One-half inch male inlet shanks. 50/50 drain body with 1-1/4" (32mm) tailpiece. 2.2 gpm/8.3L/min. maximum flow rate.

PRODUCT FEATURES:

Cast Brass Construction: Durable - Excellent in high use applications. Ideal for prolonged contact with water. Provides the finest surface for application of all colors and finishes.

Ceramic Disc Valve Cartridges: Assures a lifetime of smooth handle operation and drip-free performance.

Low Lead: Meets NSF Standard 61/Section 9 & Prop 65 lead requirements.

Exclusive Handle Alignment System: Allows fine tuning of handle position.

Choice of Finishes: Wide range of durable finishes.

Lifetime Warranty

SUGGESTED SPECIFICATION:

4" centerset lavatory faucet shall feature cast brass construction. Shall also feature 1/4 turn washerless ceramic disc valve cartridges that are reversible for use with cross or lever handles. Fitting shall be American Standard Model # 2804.22_._.

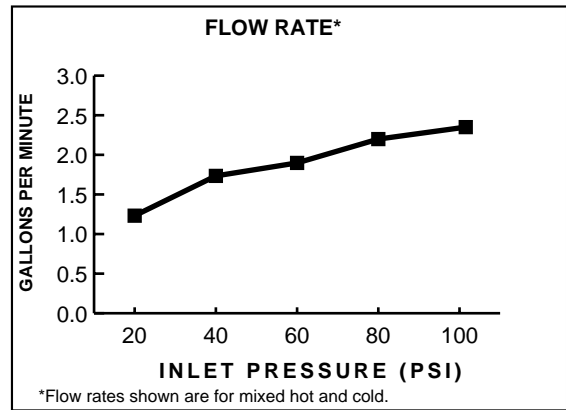


**TWO-HANDLE CENTERSET
LAVATORY FAUCET
WITH BRASS TRADITIONAL SPOUT**

CODES AND STANDARDS

These products meet or exceed the following codes and standards:

- ASME A112.18.1M**
- CSA B 125**
- NSF 61/Section 9**



Product Number	Description	Finish Options					
		Polished Chrome	PVD Polished Brass	PVD Satin/Chrome Mix	PVD Satin	PVD Satin/Brass	P. Chrome /PVD Brass Mix
		002	099	221	295	297	299
2804.222	Lavatory faucet with pop-up drain. 2 sets of handles included (metal levers and porcelain levers)			N/A	N/A	N/A	N/A
2804.224	Lavatory faucet with pop-up drain. Metal Lever handles.	N/A	N/A				

N/A = NOT AVAILABLE

Meets the American Disabilities Act Guidelines and **ANSI A117.1** Requirements for the physically challenged.