

**WASHBROOK™ FloWise® 0.125 GPF
ULTRA HIGH EFFICIENCY PINT URINAL SYSTEM**

**Design Matched Urinal & Flush Valve Provide
Optimal Performance with Only 1 Pint of Water**

- 6590.525** 0.125 gpf Exposed Top Spud Urinal with Selectronic™ Urinal Flush Valve

URINAL:

- Vitreous china
- Ultra High Efficiency (0.5 Lpf/0.125gpf)
- Flushing rim
- Elongated 14" rim from finished wall
- Washout flush action
- Extended sides for privacy
- Outlet connection threaded 2" inside (NPTF)
- 2 wall hangers and strainer included
- Meets ASME flush requirements at 0.125 gpf

SELECTRONIC FLUSH VALVE:

- Hygienic, touch-free operation
- Operates on DC Power (battery included)
- Self-Cleaning piston prevents clogging and greatly reduces maintenance
- Mechanical Override allows valve to be flushed during a power failure
- Fail Safe - valve automatically closes on loss of power; remains closed during restart
- Stadium Function reduces water consumption during periods of heavy usage
- Includes angle stop with vandal-resistant cap, sweat solder kit, vacuum breaker with adjustable tailpiece, spud coupling, and flange
- Chrome-plated brass body and metal cover

Nominal Dimensions:

355 x 470 x 1101mm
(14" x 18-1/2" x 43-3/8")

Recommended working pressure – between 20 psi at valve when flushing and 80 psi static

To Be Specified:

- Color: White Bone Silver Linen
 Black

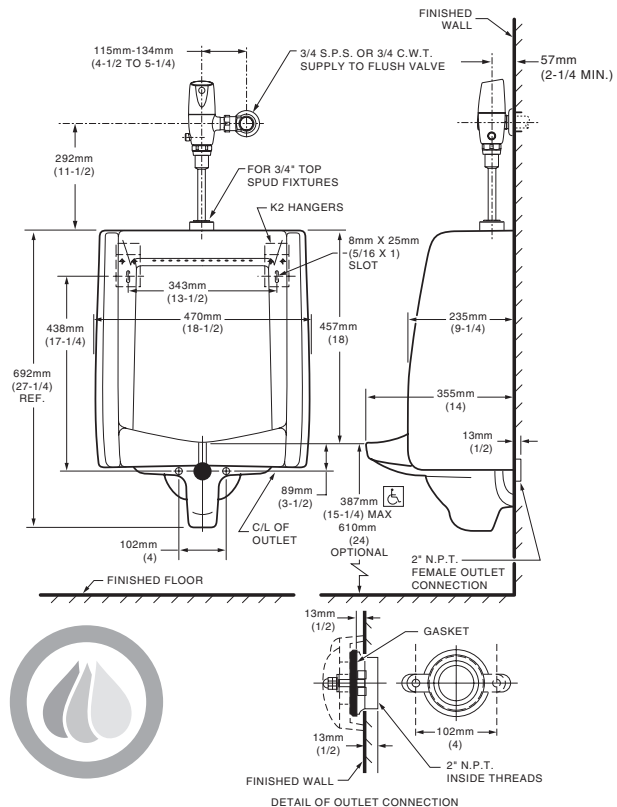
Compliance Certifications -

Meets or Exceeds the Following Specifications:

- ANSI/ASME A112.19.2 & ASSE 1037
- CSA B45.1

MEETS THE AMERICANS WITH DISABILITIES ACT GUIDELINES AND ANSI A117.1 ACCESSIBLE AND USABLE BUILDINGS AND FACILITIES - CHECK LOCAL CODES.

- When installed so top of rim is 387mm (15-1/4") from finished floor.



NOTES:
PROVIDE SUITABLE REINFORCEMENT FOR ALL WALL SUPPORTS.

IMPORTANT: Dimensions of fixtures are nominal and may vary within the range of tolerances established by ANSI Standard A112.19.2. These measurements are subject to change or cancellation. No responsibility is assumed for use of superseded or voided pages.