

**TOWNSEND CHAMPION® 4 ROUND FRONT  
RIGHT HEIGHT™ TOILET**

**2735.014**

- Vitreous china
- EverClean™ anti-microbial surface which inhibits the growth of stain and odor causing bacteria, mold, and mildew
- Low-consumption (6.0 Lpf/1.6 gpf)
- Features **Champion® 4 Flushing System** performance platform
- 4" non-adjustable, piston action Accelerator™ flush valve
- 16-1/2" rim height for accessible applications
- Round Front siphon action jetted bowl
- 2-3/8" fully-glazed trapway
- Speed Connect™ tank/bowl coupling system
- Chrome-plated trip lever
- Sanitary pier on bowl
- 100% factory flush tested
- 2 bolt caps
- 10 year warranty

**3180.016 Round Front Right Height™ Bowl**

**4281.014 Tank**

**Nominal Dimensions:**

721 x 479 x 873mm  
(28-3/8" x 18-7/8" x 34-3/8")

Fixture only, seat and supply by others

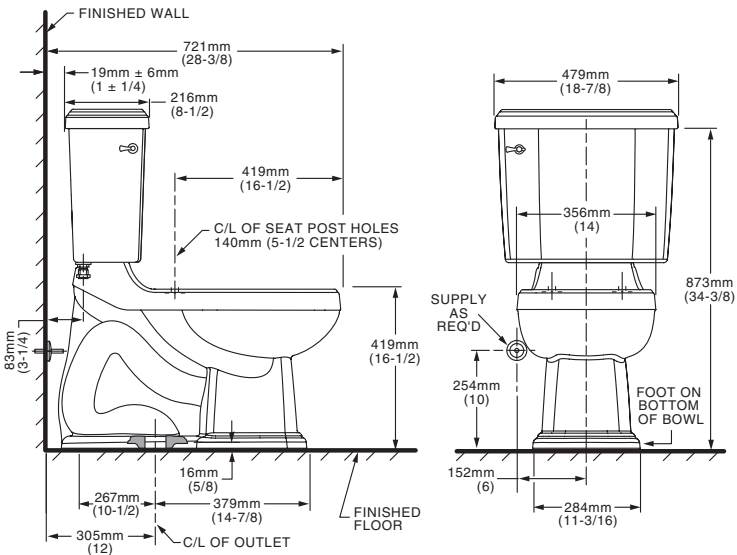
**Compliance Certifications -**

**Meets or Exceeds the Following Specifications:**

- ASME A112.19.2M for Vitreous China Fixtures - includes Flush Performance, Ball Pass Diameter, Trap Seal Depth and all Dimensions
- Los Angeles Department of Water and Power Supplementary Purchase Specification for Non-Adjustability - July, 2003 revision

**To Be Specified:**

- Color:
  - White  Bone  Silver  Linen  Black
- Seat: (please specify color)
  - Champion® Slow Close Round Front #5330.010
  - Rise & Shine Round Front #5322.011
  - Laurel Round Front #5308.014
- Supply with stop:



**NOTES:**  
THIS TOILET IS DESIGNED TO ROUGH-IN AT A MINIMUM DIMENSION OF 305MM (12") FROM FINISHED WALL TO C/L OF OUTLET.  
SUPPLY NOT INCLUDED WITH FIXTURE AND MUST BE ORDERED SEPARATELY.  
\* DIMENSION SHOWN FOR LOCATION OF SUPPLY IS SUGGESTED.

**IMPORTANT:** Dimensions of fixtures are nominal and may vary within the range of tolerances established by ANSI Standard A112.19.2. These measurements are subject to change or cancellation. No responsibility is assumed for use of superseded or voided pages.

**CHAMPION® 4**  
Flushing System

MEETS THE AMERICANS WITH DISABILITIES ACT GUIDELINES AND ANSI A117.1 REQUIREMENTS FOR ACCESSIBLE AND USABLE BUILDING FACILITIES-CHECK LOCAL CODES.