

SWAN

Centerset Lavatory Faucet with the Speed Connect™ Drain

Congratulations on purchasing your American Standard faucet with the Speed Connect Drain, a feature found only on American Standard faucets.

Speed Connect Drain*

- 1/3 of the parts, installs in 1/3 of the time
- No tools needed
- Never needs adjustment
- Guaranteed to seal properly the first time, every time.

*Your new American Standard faucet is designed to work only with the Speed Connect drain. Helpful tips for removing your current drain can be found in the Troubleshooting section of these instructions.

To ensure that your installation proceeds smoothly-please read these instructions carefully before you begin.

Certified to comply with ANSI A112.18.1
M968468 REV 1.2

Recommended tools



Screwdriver



Channel Locks



Adjustable Wrench



Tubing Cutter

1

INSTALL FAUCET

CAUTION

Turn off hot and cold water supplies before beginning.

Turn off hot and cold water supplies before beginning.

- Insert FAUCET (1) and CABLE CONNECTOR (2) through mounting holes of Sink or mounting surface. Fig. A.
- Assemble LOCKNUTS (3) onto SHANKS (4) (from under side of Sink). Hand tighten firmly. Fig. B.

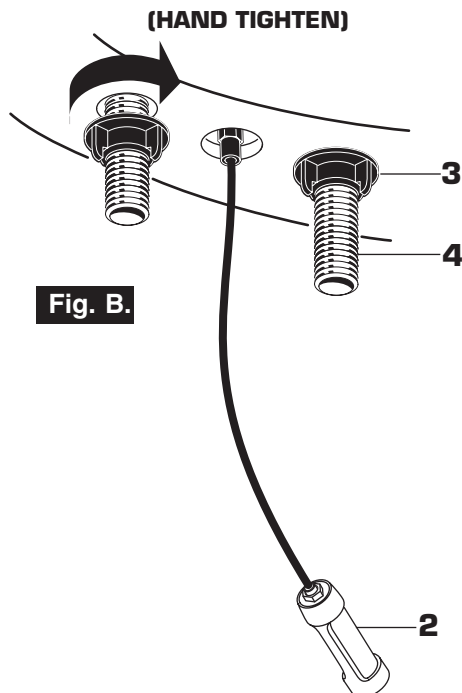


Fig. B.

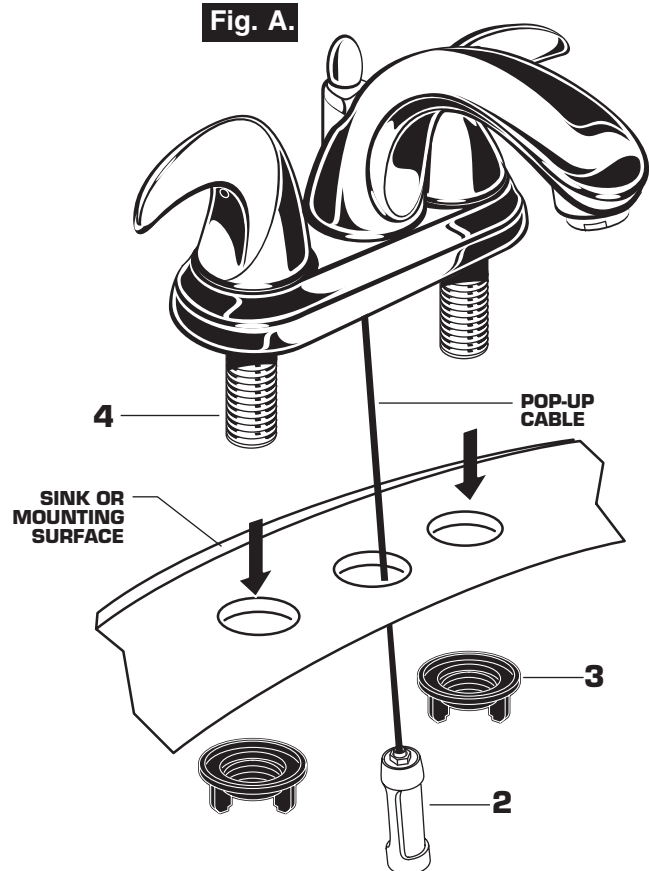


Fig. A.

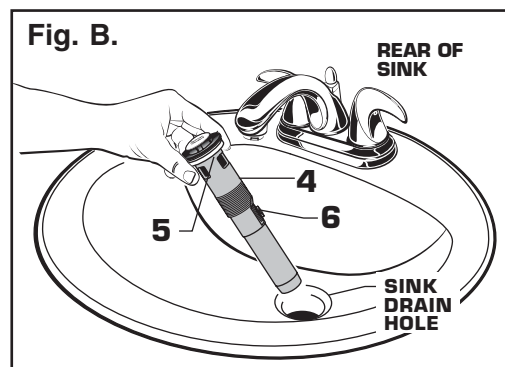
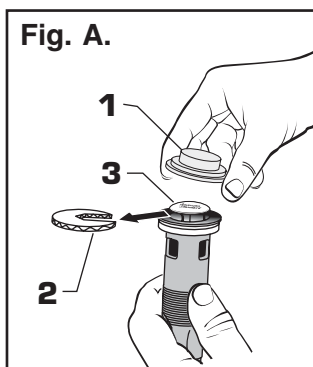
2 INSTALL POP-UP DRAIN

- Remove CLEAR PLASTIC COVER (1). Remove CARDBOARD SPACER (2) from under DRAIN POP-UP (3). Fig. A.

- Drop DRAIN BODY (4) through sink drain hole. Make sure WHITE FOAM GASKET (5) is under flange of DRAIN BODY (4). Fig. B.

Note: No plumber's putty or caulk is required.

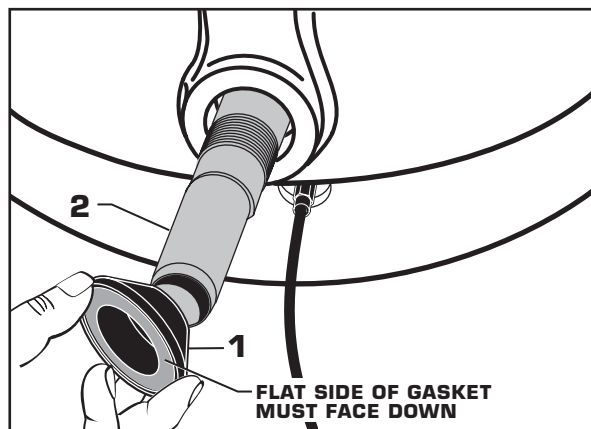
- The CABLE ATTACHMENT POINT (6) must face towards the rear of the SINK. Fig. B.



3 INSTALL BLACK GASKET

- Install BLACK CONE GASKET (1) onto DRAIN BODY (2) from below.

Note: The flat side of the BLACK CONE GASKET (1) must face down.

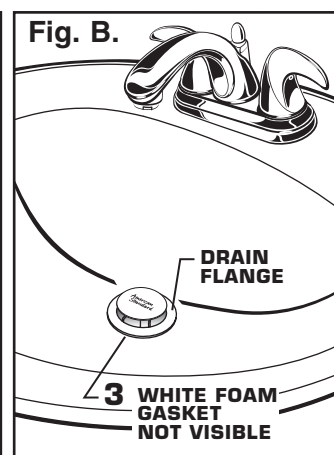
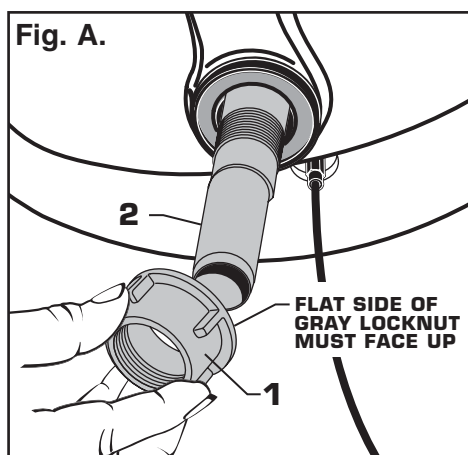


4 INSTALL GRAY LOCKNUT

- Install GRAY LOCKNUT (1) onto DRAIN BODY (2) from below SINK. Fig. A.

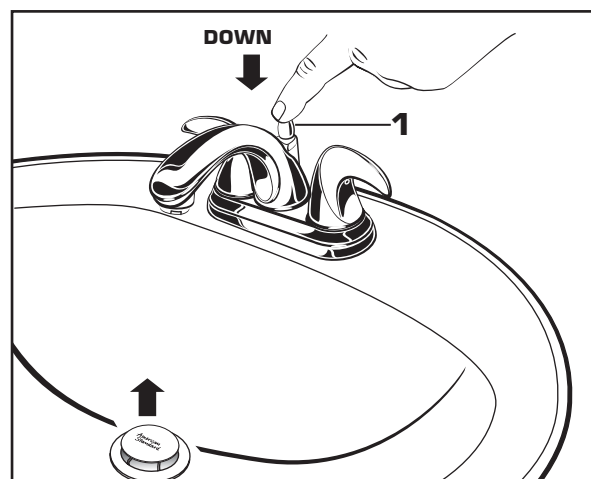
Note: The flat side of the GRAY LOCKNUT (1) must face up.

- Tighten firmly by hand. No tools are required. Check DRAIN FLANGE in SINK to ensure that WHITE FOAM GASKET (3) is fully compressed and not visible. Fig. B.



5 POP-UP KNOB

- POP-UP KNOB (1) must be fully down.

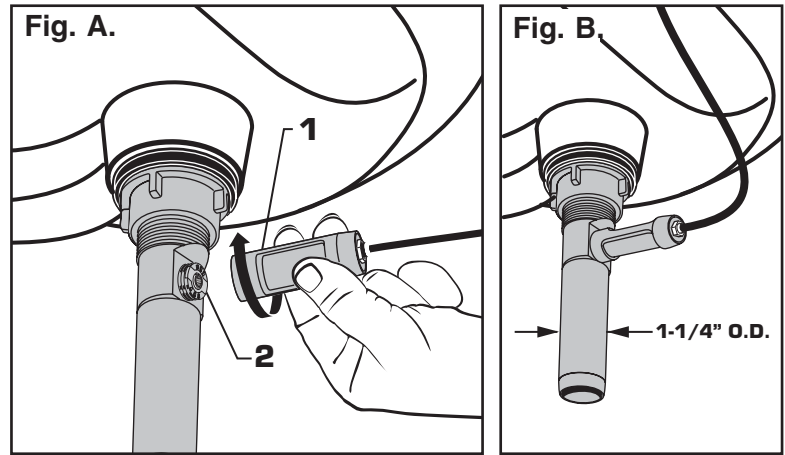


6 ATTACH CABLE CONNECTOR

- Thread CABLE CONNECTOR (1) clockwise onto DRAIN BODY CONNECTION (2) and hand tighten. Fig. A.

Your new POP-UP DRAIN installation is now complete. Fig. B.

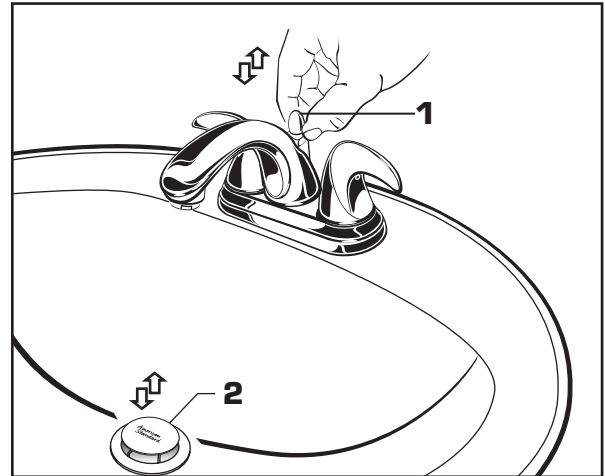
Note: Tailpiece on pop-up drain is 1-1/4" O.D. Fig. B.



7 CHECK OPERATION OF POP-UP

- Operate LIFT KNOB (1) to verify that STOPPER (2) opens and closes. Fig. B.

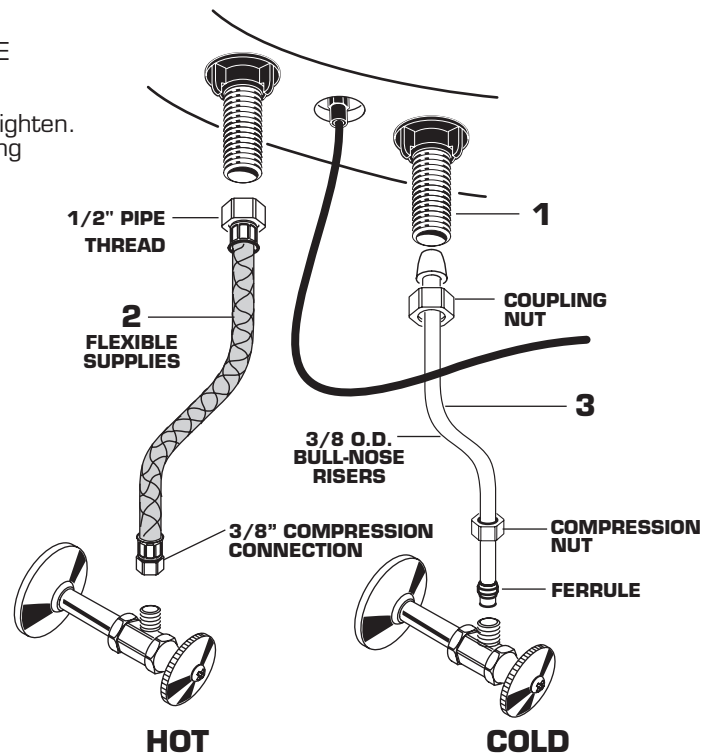
Note: If STOPPER (2) does not open and close properly then refer to the "troubleshooting section" of these instructions.



8 MAKE WATER SUPPLY AND WASTE CONNECTIONS

NOTE: FLEXIBLE SUPPLIES OR BULL-NOSE RISERS MUST BE PURCHASED SEPARATELY.

- Connect water supply to FAUCET (1) with 1/2" IPS FLEXIBLE SUPPLIES (2) or 3/8" O.D. BULL-NOSE RISERS (3).
- Use adjustable wrench to tighten connections. Do not over tighten. Be careful not to kink copper supply when bending. Use tubing cutter to cut to proper length.
- Connect 1-1/4" O.D. tailpiece on POP-UP DRAIN to waste outlet.

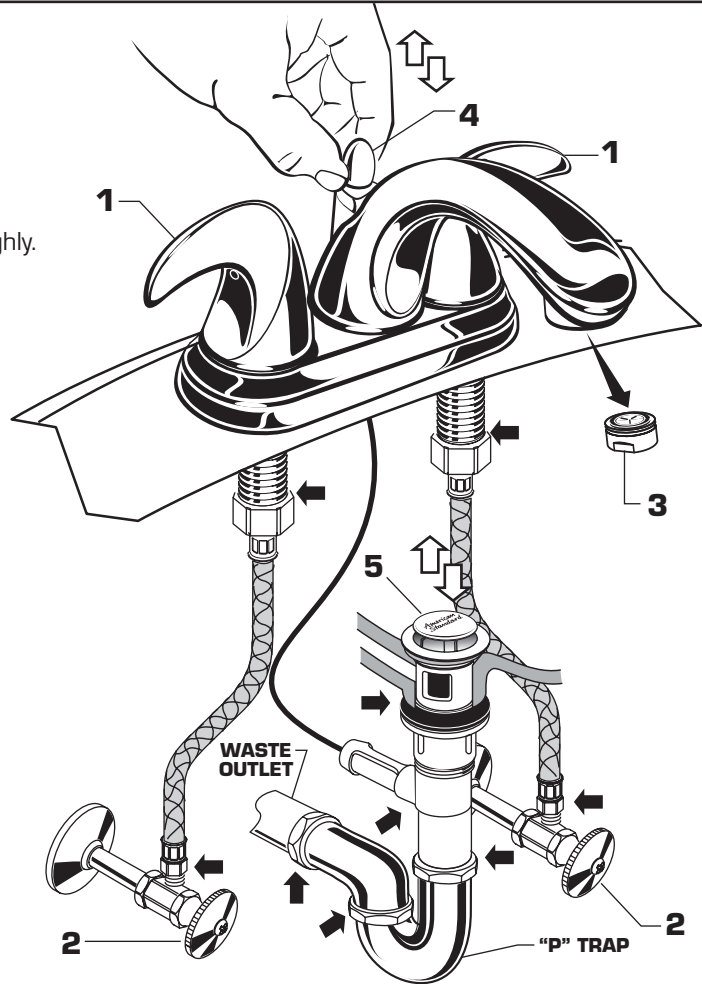


9 TEST INSTALLED FITTING

- With HANDLES (1) in OFF position, turn on WATER SUPPLIES (2) and check all connections for leaks. ➡
- Remove AERATOR (3).
- Operate both HANDLES (1) to flush water lines thoroughly.
- Replace AERATOR (3).

CHECK DRAIN CONNECTIONS

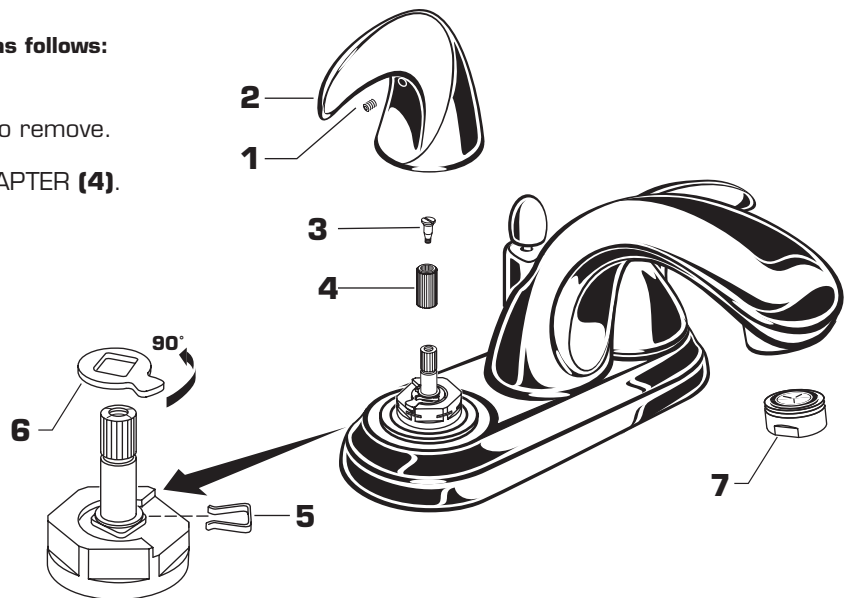
- Operate POP-UP KNOB (4) and fill lavatory with water. Check that DRAIN STOPPER (5) makes a good seal and retains water in SINK. If DRAIN STOPPER (5) does not seal properly, please refer to Troubleshooting section in these instructions.
- Release POP-UP KNOB (5) down and check all drain connections and "P" trap for leaks. Tighten ➡ if necessary.



10 SERVICE

To change direction of handle rotation, proceed as follows:

- Turn VALVE to OFF position.
- Loosen SET SCREW (1). Pull HANDLE (2) up to remove.
- Remove ADAPTER SCREW (3) and pull off ADAPTER (4).
- Remove SPRING CLIP (5).
- Lift STOP WASHER (6), turn 90° and replace.
- Replace SPRING CLIP (5).
- Replace ADAPTER (4), ADAPTER SCREW (3), HANDLE (2).
- Tighten SET SCREW (1).
- AERATOR (7) may accumulate dirt causing distorted and reduced water flow. Remove AERATOR (7) and rinse clean.
- If spout drips, operate handles several times from OFF to ON position. Do not force - handles turn only 90°.



11 CARE INSTRUCTIONS:

DO: SIMPLY RINSE THE PRODUCT CLEAN WITH CLEAR WATER. DRY WITH A SOFT COTTON FLANNEL CLOTH.
DO NOT: DO NOT CLEAN THE PRODUCT WITH SOAPS, ACID, POLISH, ABRASIVES, HARSH CLEANERS, OR A CLOTH WITH A COARSE SURFACE.

Speed Connect™ Drain Troubleshooting Guide

If sink does not hold water even though Stopper is in the “down” position:

- Follow CABLE ADJUSTMENT PROCEDURE.

If Stopper does not raise up fully or sink drains too slowly:

- Follow CABLE ADJUSTMENT PROCEDURE.

If you need to remove the Stopper:

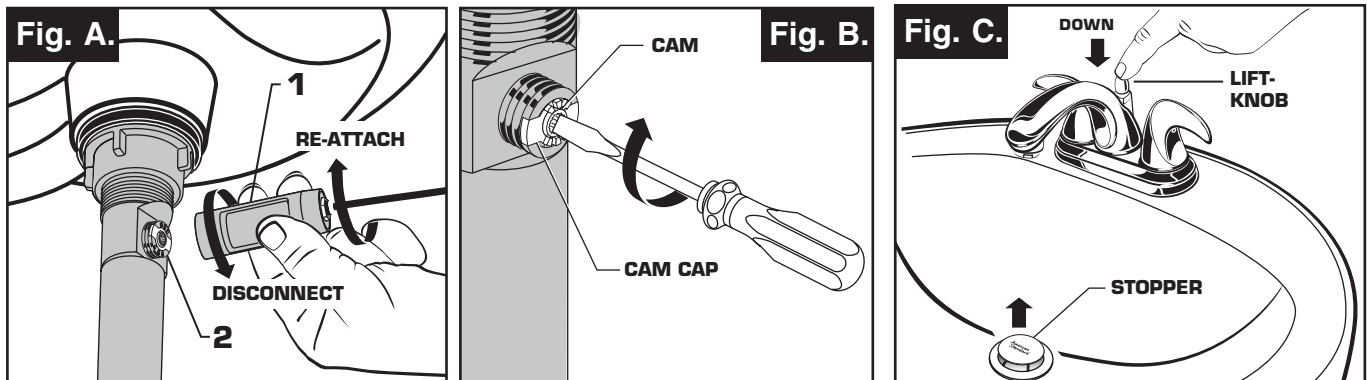
- Follow STOPPER REMOVAL PROCEDURE.

If you would like the ability to remove your Stopper simply by lifting it out of the drain:

- Follow STOPPER INSTALLATION PROCEDURE for “Unlocked” mode.

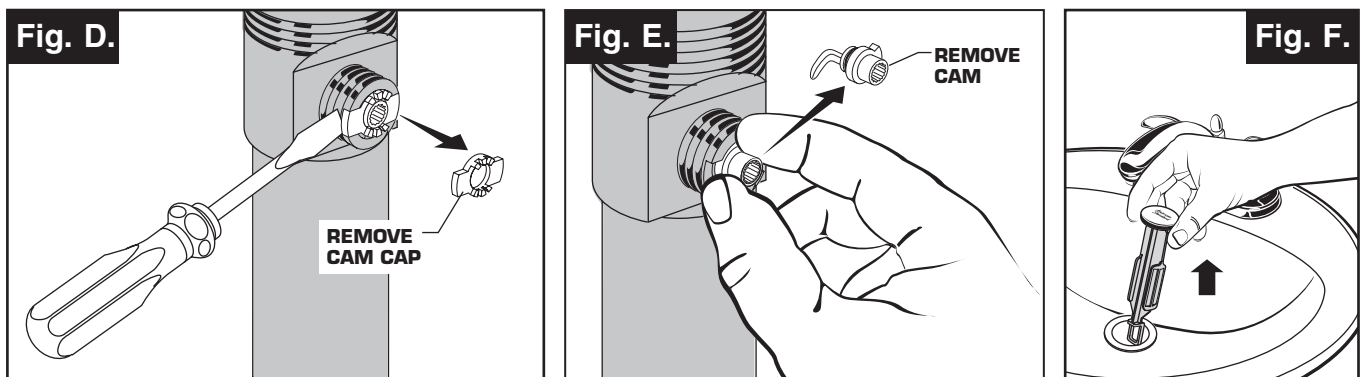
CABLE ADJUSTMENT PROCEDURE

- Disconnect the Cable from the Drain by threading the Cable Connector **(1)** counter-clockwise. **Fig. A.**
- Look at the area on the Drain Body where the Cable was attached and locate the component labeled as “Cam” in the illustration. **Fig. B.**
- Use a small screwdriver to rotate the Cam in the clockwise direction as far as it will go. At this point the Stopper should be in the UP position. **Fig. B, C.**
- Push DOWN on the Lift-Knob to make sure it is fully down. **Fig. C.**
- Re-attach the Cable to the Drain Body Connection **(2)** by threading the Cable Connector **(1)** clockwise onto the Drain Body Connection **(2)** and hand-tighten. **Fig. A.**



STOPPER REMOVAL PROCEDURE

- Disconnect the Cable from the Drain by threading the Cable Connector **(1)** counter-clockwise. **Fig. A.**
- Look at the area on the Drain Body where the Cable was attached and locate the component labeled as “Cam” and “Cam Cap” in the illustration. **Fig. B.**
- Use fingers or small screwdriver under either side of the Cam Cap to pry it out from the Drain. **Fig. D.**
- Remove the Cam by pulling it straight out while wiggling gently to loosen the Rubber Seal. **Fig. E.**
- The Stopper can now be removed by lifting it out of the Drain. **Fig. F.**



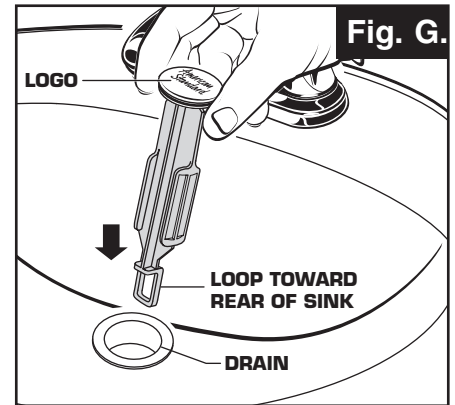
M968468 REV 1.2

STOPPER INSTALLATION PROCEDURE

The Stopper can be installed two ways, “Locked” Mode (Stopper cannot be removed) or “Unlock” Mode (Stopper is removable).

Locked Mode:

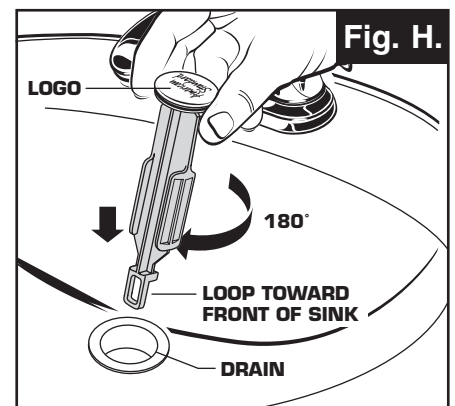
- Look at the Plastic Loop at the bottom of the Stopper and notice that the Loop is on one side of the Stopper. **Fig. G.**
- To install the stopper in “Locked” mode, insert the Stopper into the Drain so that the Plastic Loop is facing toward the **rear** of the Sink and the American Standard logo is facing **front**. Rotate Stopper slightly if necessary so that the Stopper slides all the way down. **Fig. G.**
- Re-install the Cam into the Drain, rotating the Cam if necessary to make sure it is fully inserted. **Fig. J.**
- Re-install the Cam Cap, making sure the guide teeth are facing outward. If the Cam Cap does not “snap” into place, then rotate the Cam to make sure it is fully inserted. **Fig. K.**
- Re-attach Cable. See “CABLE ADJUSTMENT PROCEDURE” in Troubleshooting Guide to complete installation. Stopper will be in “Locked” mode and not be removable.



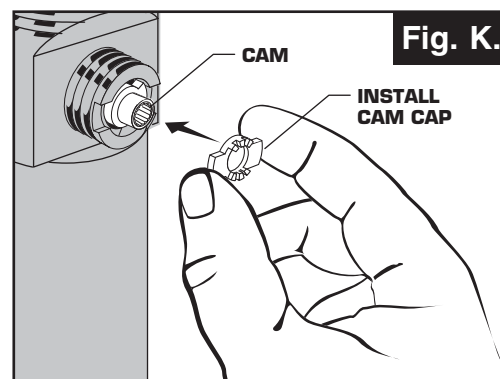
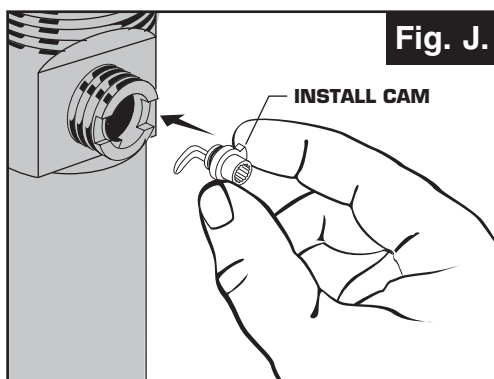
**Locked Mode
(Vandal Proof)**

Unlocked Mode:

- Look at the Plastic Loop at the bottom of the Stopper and notice that the Loop is on one side of the Stopper. **Fig. H.**
- To install the stopper in “Unlocked” mode, insert the Stopper into the Drain so that the Plastic Loop is facing toward the **front** of the Sink and the American Standard logo is facing **rear**. Rotate Stopper slightly if necessary so that the Stopper slides all the way down. **Fig. H.**
- Re-install the Cam into the Drain, rotating the Cam if necessary to make sure it is fully inserted. **Fig. J.**
- Re-install the Cam Cap, making sure the guide teeth are facing outward. If the Cam Cap does not “snap” into place, then rotate the Cam to make sure it is fully inserted. **Fig. K.**
- Re-attach Cable. See “CABLE ADJUSTMENT PROCEDURE” in Troubleshooting Guide to complete installation. Stopper will be in “Unlocked” mode and removable.



Unlocked Mode



TIPS FOR REMOVING YOUR OLD DRAIN:

Most existing drains can be removed quickly and easily with only a pair of channel-lock pliers or a wrench. However, there may be situations where it is difficult to remove your old drain or determine how the drain is disassembled. Depending upon the existing Drain in your sink, it is either removed from above or below the sink. The illustrations below show some typical drain installations and how they are disassembled from the sink.

The following tips can help with some of the more common challenges in drain removal:

- Loosen nuts on P-Trap using channel locks. Suggest spraying nuts with spray lubricant to loosen any corrosion or debris that may have built up. Remove P-Trap half from Tailpiece. Use bucket to catch any residual water in P-trap.
- Unthread Pivot Rod Nut from Drain Body and remove. Pull Stopper out from Drain Body.

For Drains that are removed from below Sink:

- Loosen Mounting Nut as far down as it will go. Push Drain Body up into Sink and unthread Metal Flange from Drain Body. Remove Drain Body from below sink.

For Drains that are removed from above Sink:

- Unthread Tailpiece from Drain Body.
- Loosen and remove Mounting Nut and Gasket on Drain Body using channel locks. Suggest spraying nut with spray lubricant to loosen any corrosion or debris that may have built up. Push Drain Body up into the Sink and remove.

Note: If Drain body rotates while loosening Mounting Nut, insert a screw driver into overflow hole to prevent Drain Body from rotating while Mounting Nut is removed.

Recommended tools



Channel Locks



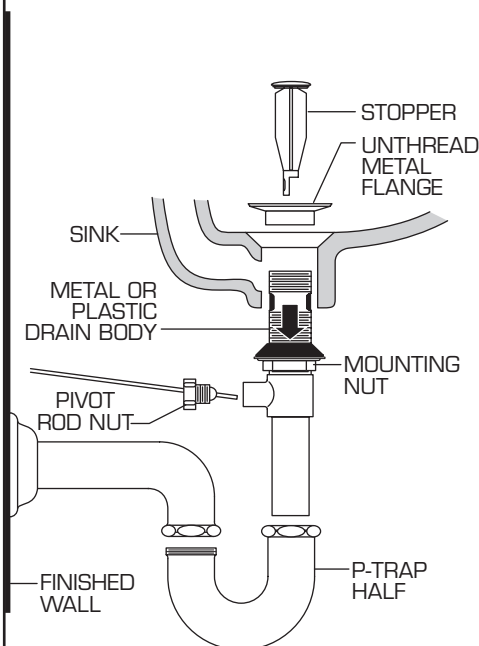
Adjustable Wrench



Phillips Screwdriver

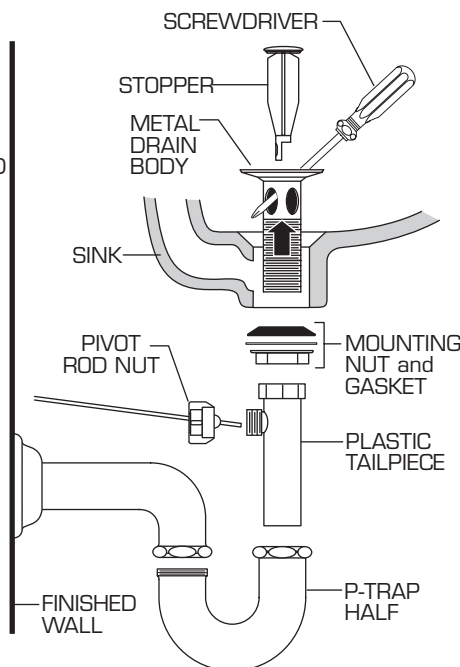
WHEN DRAIN IS REMOVED FROM BELOW SINK

METAL OR PLASTIC TWO PIECE DRAIN BODY



WHEN DRAIN IS REMOVED FROM ABOVE SINK

METAL DRAIN BODY WITH PLASTIC TAILPIECE



PLASTIC DRAIN BODY WITH PLASTIC TAILPIECE

