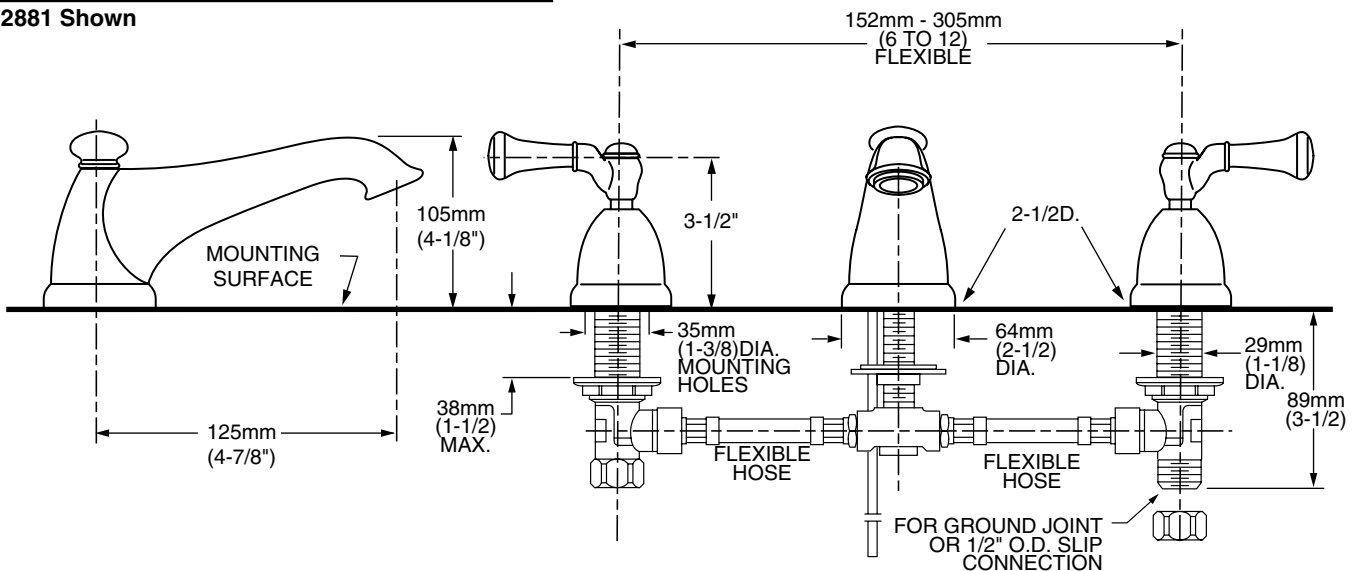




2881 Shown

MODEL NUMBER:

- ❑ **2881 Widespread Lavatory**
Pop-up drain. Porcelain Lever handles.
Polished Chrome finish.
- ❑ **2881S Widespread Lavatory**
Pop-up drain. Porcelain Lever handles.
Satin Nickel finish.



GENERAL DESCRIPTION:

Cast brass valve bodies with flexible hose connections for 6" to 12" (152mm to 305mm) installations. 1/4 turn washerless ceramic disc valve cartridges. Cast brass spout. Genuine porcelain lever handles. One-half inch male inlet shanks. All brass drain body with 1-1/4" (32mm) tailpiece. 1.5 gpm/5.7L/min. maximum flow rate.

PRODUCT FEATURES:

Brass Construction: Durable. Easy to clean, seamless design. Ideal for prolonged contact with water. Provides the finest surface for application of colors and finishes.

Ceramic Disc Valve Cartridges: Assures a lifetime of smooth handle operation and drip-free performance.

Low Lead: Meets NSF Standard 61/Section 9 & Prop 65 lead requirements.

Genuine Porcelain Handles

Exclusive Handle Alignment System: Allows fine tuning of handle position.

Choice of Finishes

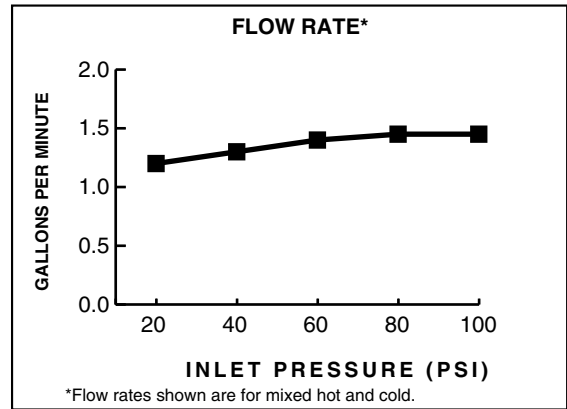
SUGGESTED SPECIFICATION:

Two handle widespread lavatory faucet shall feature cast brass valve bodies with flexible hose connections for 6" to 12" installations. Shall also feature 1/4 turn washerless ceramic disc valve cartridges. Fitting shall be American Standard Model #2881.____.


CODES AND STANDARDS

These products meet or exceed the following codes and standards:

- ANSI A117.1**
- ASME A112.18.1**
- CSA B 125**
- NSF 61/Section 9**



Product Number	Description
2881	Lavatory faucet with pop-up drain. Porcelain Lever handles. Polished Chrome finish.
2881S	Lavatory faucet with pop-up drain. Porcelain Lever handles. Satin Nickel finish.

 Meets the American Disabilities Act Guidelines and **ANSI A117.1** Requirements for the physically challenged.