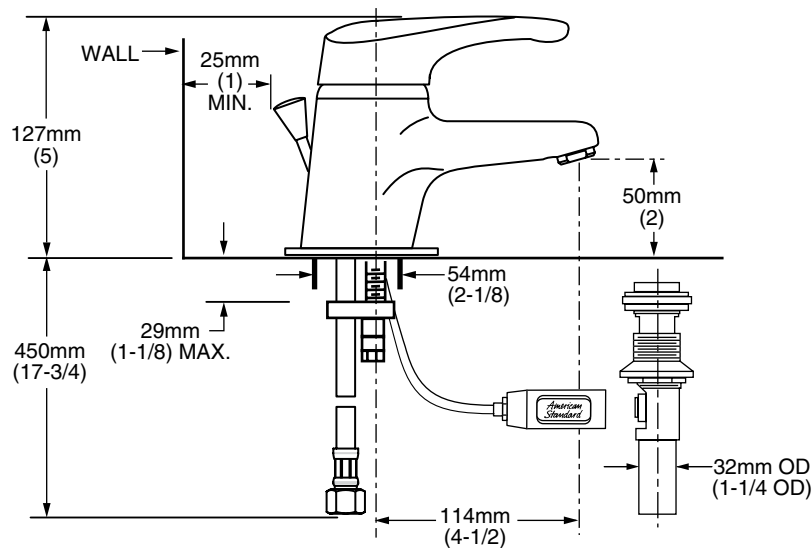


1480.101 Shown

MODEL NUMBER:

- ❑ **1480.101 Seva Single Control Centerset**
Metal Speed Connect® Pop-up drain. Escutcheon plate.
- ❑ **1480.100 Seva Single Control Centerset**
Less pop-up drain. Less pop-up hole. Escutcheon plate.



GENERAL DESCRIPTION:

Cast brass body and brass escutcheon with all metal handle. Washerless 47mm ceramic disc valve cartridge with integral hot limit safety stop. Braided flexible supply hoses with 3/8" compression connectors. 20 inch (500mm) long flexible stainless steel drain cable is pre-assembled to faucet body. Metal Speed Connect® drain body with 1-1/4 inch (32mm) tail piece. 1.5 gpm/5.7L/min. maximum flow rate.

PRODUCT FEATURES:

Brass Construction: Durable. Easy to clean. Ideal for prolonged contact with water.

Ceramic Disc Valve Cartridge: Assures a lifetime of drip-free performance.

Adjustable Hot Limit Safety Stop: Limits the amount of hot water allowed to mix with cold. Reduces the risk of accidental scalding.

Low Lead: Meets NSF Standard 61/Section 9 & Prop 65 lead requirements.

Exclusive Speed Connect® Metal Drain:

- Fewer parts. Installs in less time.
- No adjustments required - seals the first time, every time.
- Flexible stainless steel cable - installs effortlessly in tight spaces.

Choice of Finishes: Choice of Polished Chrome or Satin Nickel (PVD).

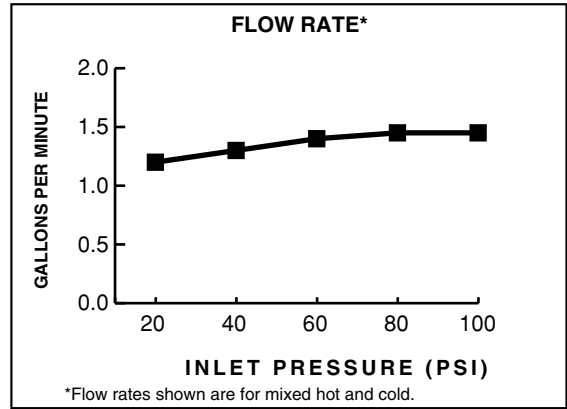
SUGGESTED SPECIFICATION:

Single control lavatory fitting shall feature a cast brass body and escutcheon with all metal handle. Shall also feature washerless ceramic disc valve cartridge with integral hot limit safety stop. Shall also feature a metal drain body with stainless steel cable actuation. Fitting shall be American Standard Model # 1480.____.

CODES AND STANDARDS


These products meet or exceed the following codes and standards:

- ANSI A117.1**
- ASME A112.18.1**
- NSF 61/Section 9**



Product Number	Description	Finish Options	
		Polished Chrome	PVD Satin Nickel
		002	295
1480.101	Seva Single Control Centerset. Metal Speed Connect® Pop-up drain.		
1480.100	Seva Single Control Centerset. Less pop-up drain. Less pop-up hole.		N/A

N/A = NOT AVAILABLE

 Meets the American Disabilities Act Guidelines and **ANSI A117.1** Requirements for the physically challenged.