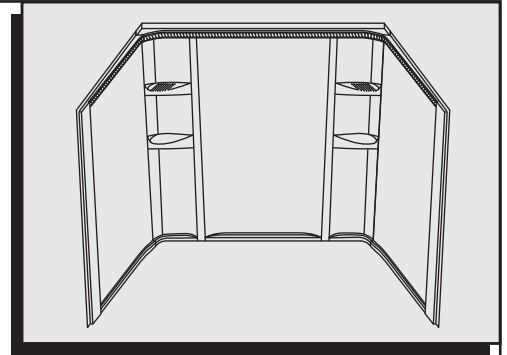


**Installation Instructions**



**ROPE TWIST™ BATH WALLS**

**MODEL: 5030.LBW**

**USED WITH SOAKING TUBS: 2722.102, 2722.202**

*Thank you for selecting American-Standard...the benchmark of fine quality for over 100 years. To ensure that your installation proceeds smoothly--please read these instructions carefully before you begin.*

753846-100 Rev. C

**BEFORE YOU BEGIN....**

**NOTE: Local building codes vary by location. Observe all local plumbing and building codes.**

Unpack your new shower walls and inspect them carefully for damage. Verify that the walls are the correct size for your installation. Refer to American Standard roughing-in information for specific dimensions for each model.

**TOOLS & MATERIALS REQUIRED....**

**TOOLS:**

- Drill & Hole Saw or Sabre Saw
- Tape Measure
- Caulking Gun
- Pencil
- Square
- Level

**MATERIALS:**

- Clear Silicone Sealant
- Acrylic/Latex Sealant
- Galvanized (or corrosion resistant) flat head screws 3/4" minimum length
- 2 x 4 lumber for additional wall studs as required
- Tub Surround Adhesive

**NOTE: Take extra care in handling the front surfaces of the walls. Use only non-abrasive cloths to avoid scratching.**

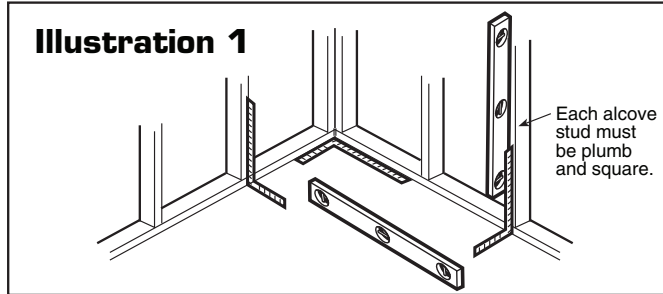
**HOTLINE FOR HELP**

FOR TOLL FREE INFORMATION AND ANSWERS TO YOUR QUESTIONS, CALL:  
1 (800) 442-1902, in Canada call 1 (800) 387-0369.  
Weekdays 8:00 a.m. to 4:00 p.m. Eastern time.

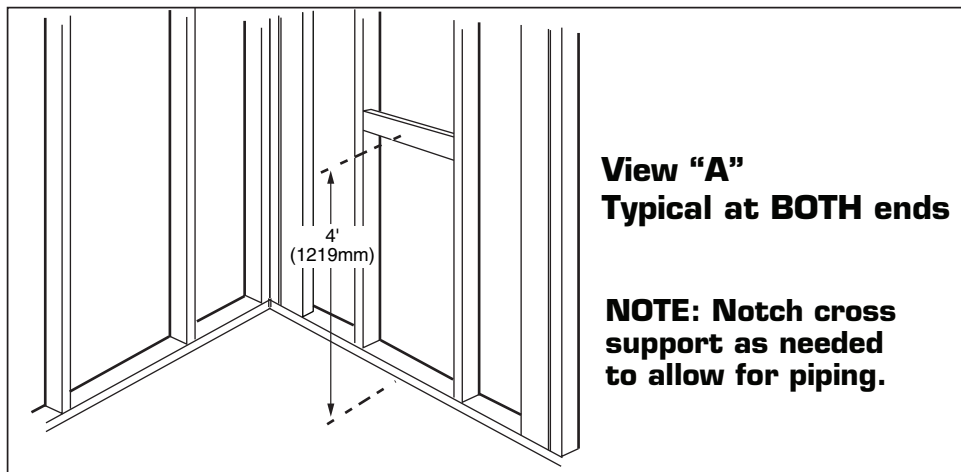
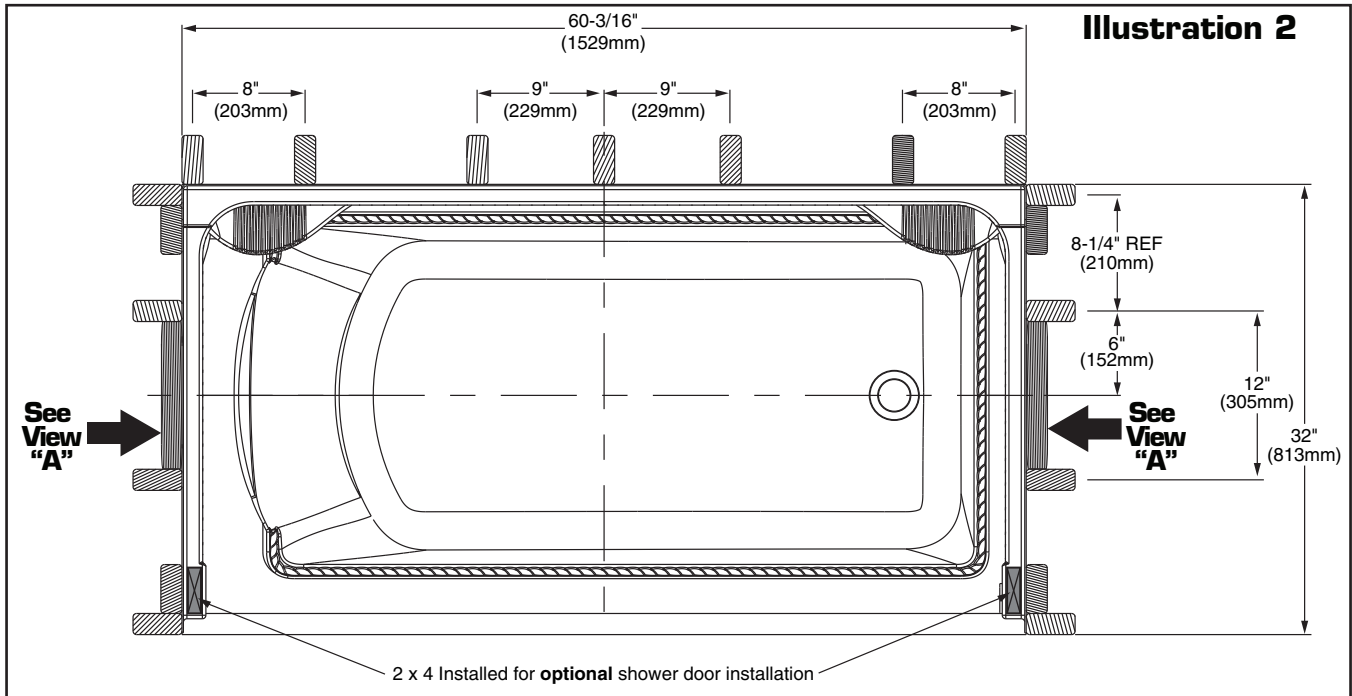
**PREPARATION:**

Rope Twist shower walls are to be installed directly over stud walls. Drywall is not required.

**A)** Remove dry wall surface and ensure that alcove is plumb and square. (Illustration 1)



**B)** The studs should be located as shown to properly support walls. Provide additional studs where illustrated below. (Illustration 2)



**C)** Rough plumbing and fittings must be installed before walls.

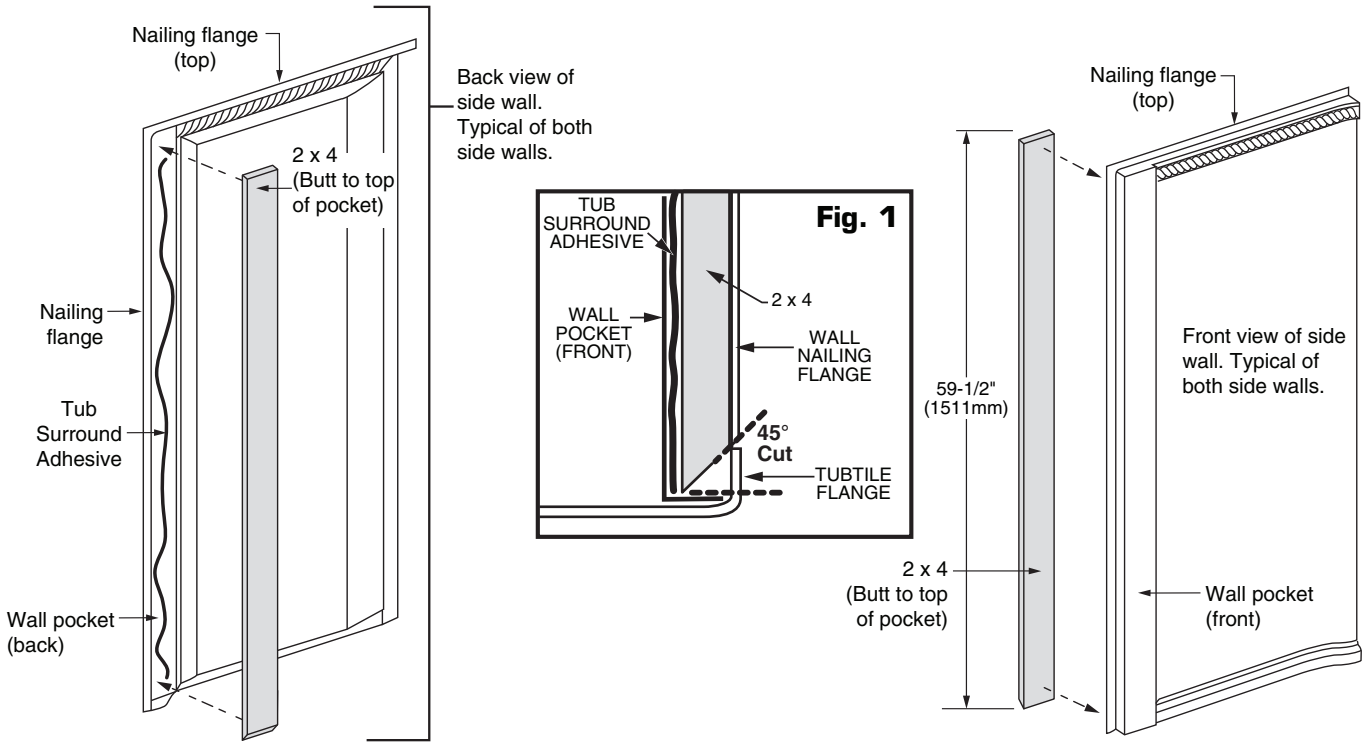
**NOTE:** Installation over greenboard or firewalls: If installing wall panels over greenboard and/or firewall material, and not directly on the studs, your alcove dimensions must consider the thickness of this material. Measure from the inside of the finished walls.

# 1 INSTALLATION PROCEDURES:

If you plan to install a shower door, a 2 x 4 must be installed in the pocket on the back of both side walls.

**A)** Cut one end of the 2 x 4 to 45° as shown. (Fig.1) Then cut the 2 x 4 to a length of 59-1/2".

**B)** Apply a bead of tub surround adhesive in the pocket of each side wall. With 45° cut end down and angle facing out, attach board butting up to the top of the pocket. Allow time to cure.

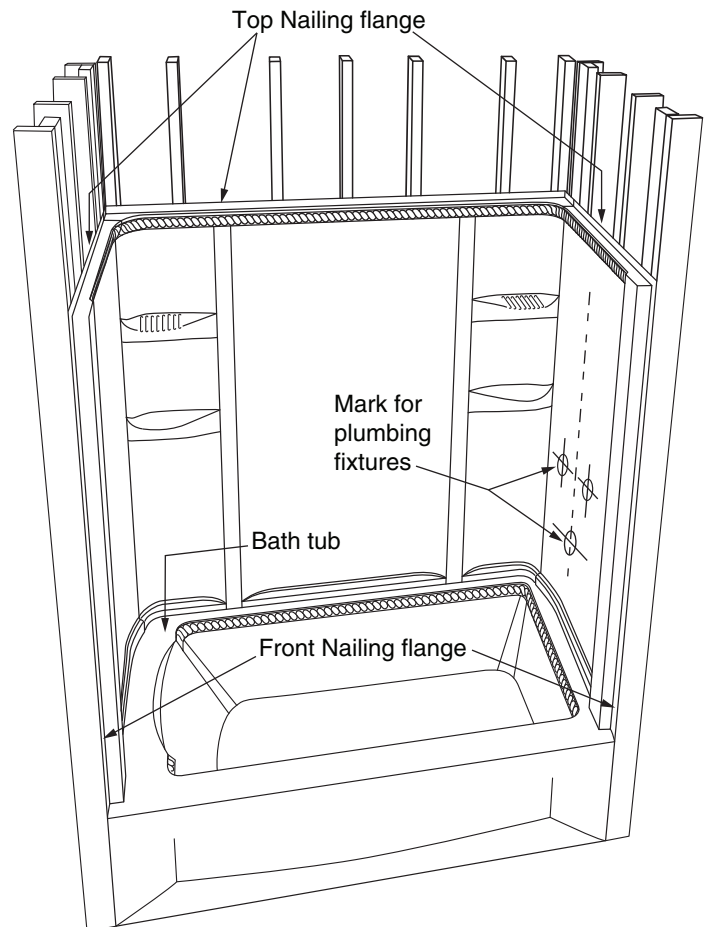


# 2

**A)** Position the three panels into the alcove. Lower each panel onto the bathtub to ensure that the panels fit properly in the alcove.

**B)** Mark the appropriate side panel (right or left) cutouts for plumbing fixtures. Refer to plumbing fixture installation instructions for hole dimensions and placement. Carefully locate, mark and cut holes using the properly sized hole saw.

**C)** When satisfied with fit, mark a line across the top of the panels on each stud. Remove the panels. The marked line will help align the panels in subsequent steps.

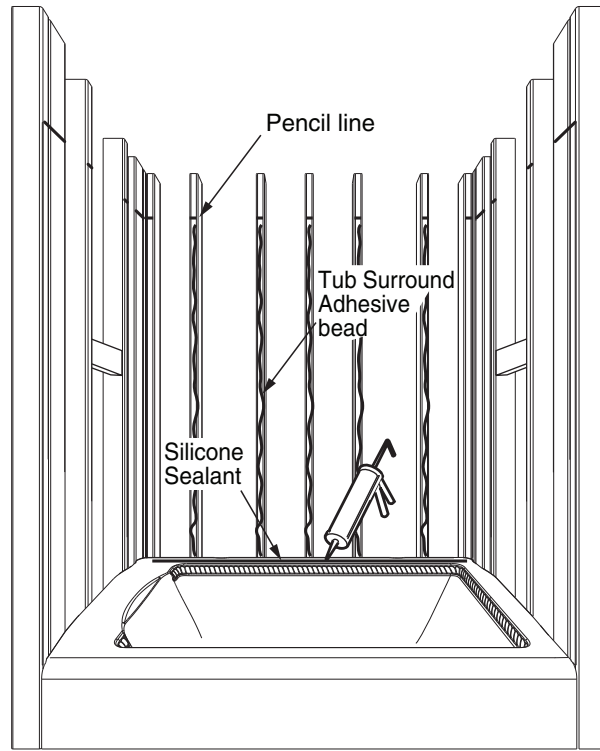


3

A) Apply a bead of tub surround adhesive down each stud that will come in contact with the back panel being sure to stay below the line you marked. You do not need to apply adhesive to the corner studs.

B) Lay a bead of silicone caulk along tub ledge.

C) Reposition back panel aligned with pencil line and press firmly against studs.

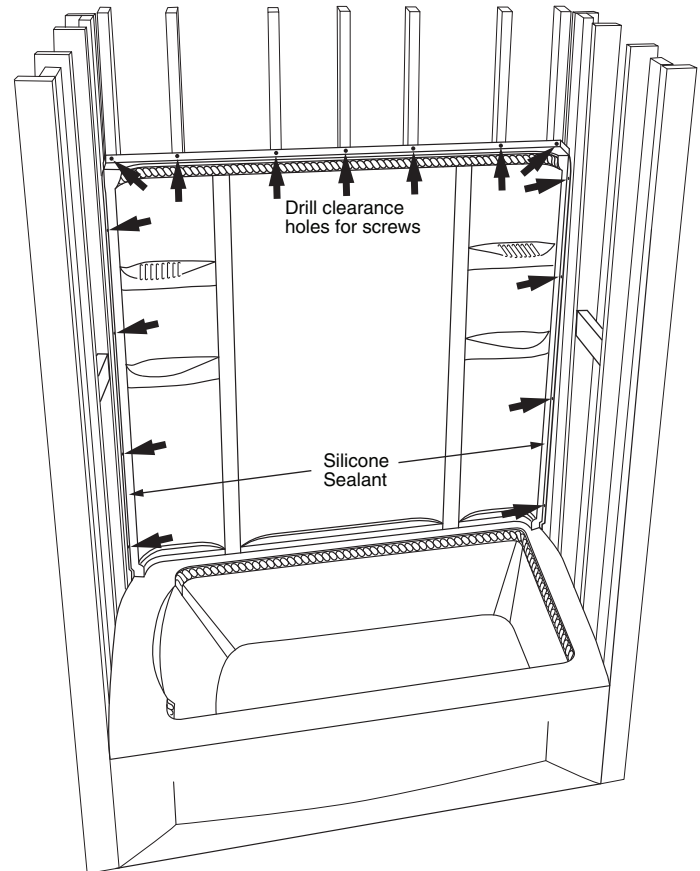
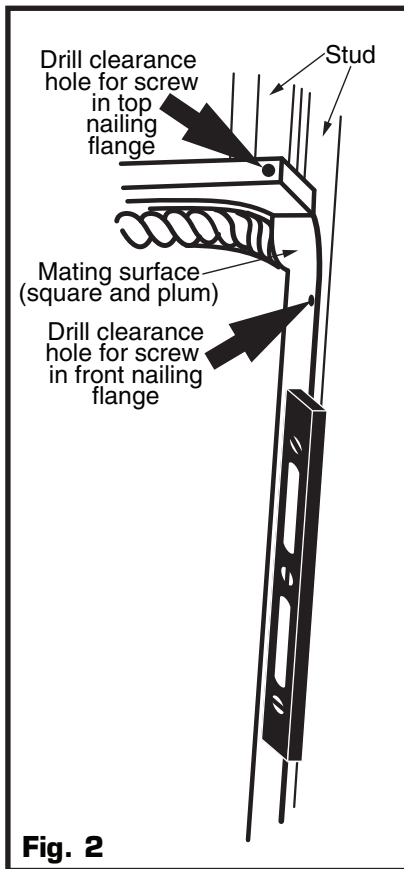


4

- A) • Locate and drill a clearance hole in the center of the top nailing flange and centered on each stud (see arrows as shown).  
• Also drill four evenly spaced clearance holes on the front nailing flange on each side (see arrows as shown).

B) Ensuring mating surface is square and plum (Fig. 2), install galvanized screws through each clearance hole and into the studs, securing the wall panel.

C) Add a bead of silicone caulk down the vertical corner of the back panel (Fig. 2).

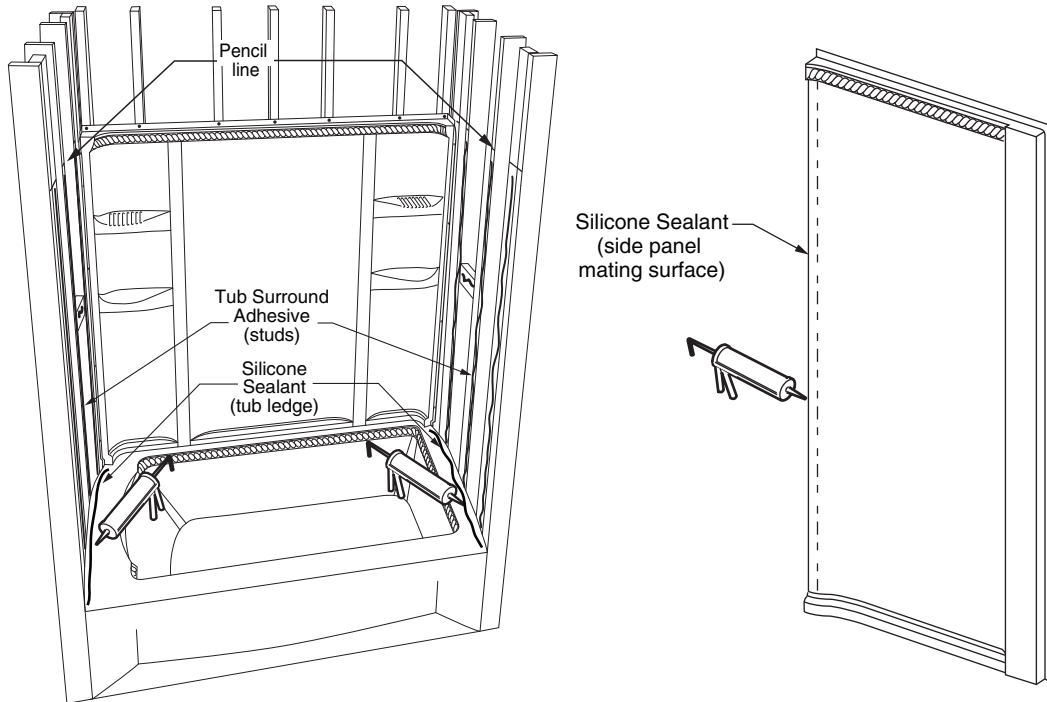


# 5

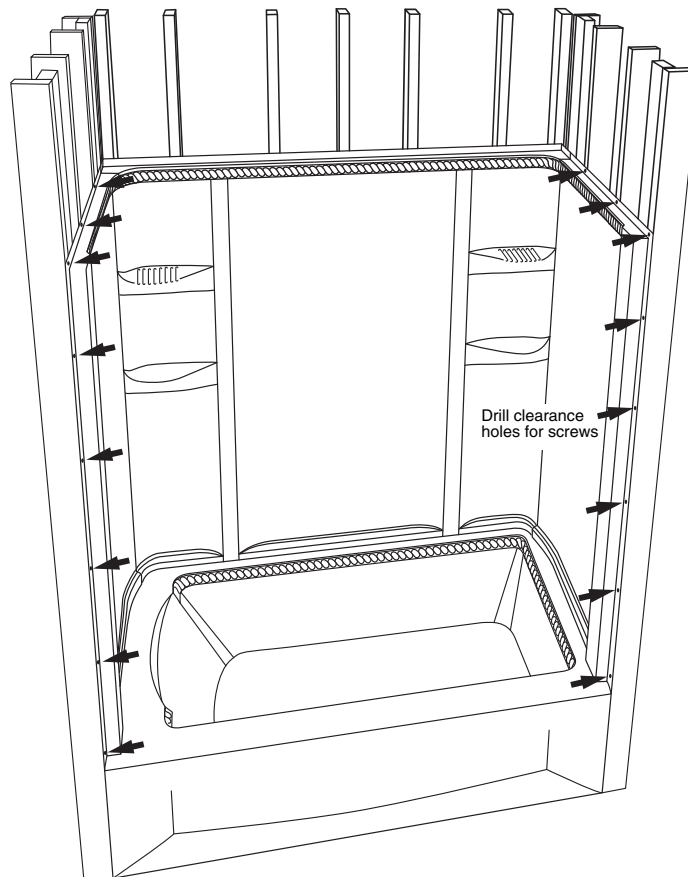
**A)** Apply a bead of tub surround adhesive down each stud that will come in contact with the side panels being sure to stay below the line previously marked.

**B)** Lay a bead of silicone caulk along side panel mating surface and tub ledge.

**C)** Align the top nailing flange of each side panel with pencil line marked. Press firmly into place to ensure proper adhesion to studs. Check alignment with all mating surfaces and reposition if necessary.

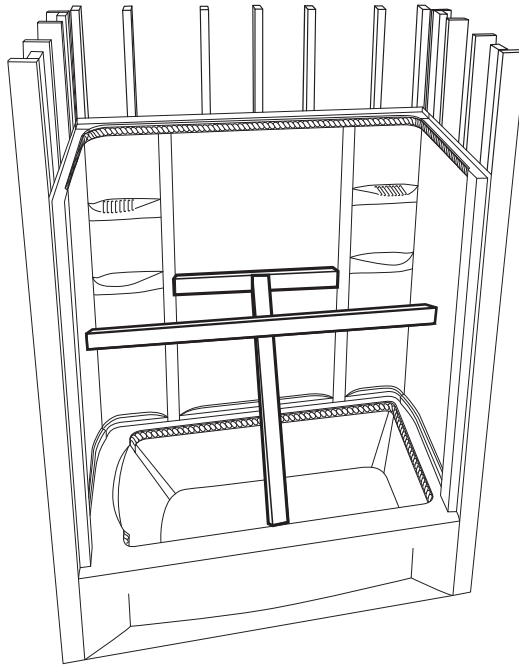


- D)**
- Locate and drill a clearance hole in the center of the top nailing flange and centered on each stud (see arrows as shown).
  - Also drill clearance holes in the front nailing flange on each side panel at approx. 12" intervals, centered on the flange (see arrows as shown).
  - Install galvanized screws through each hole and into the studs, securing the wall panel.



**6**

Install temporary braces to hold the center of the back and side panels tight to the studs for approximately 24 hours while adhesive sets. Add cushioning between panels and braces to prevent scratching the panels.

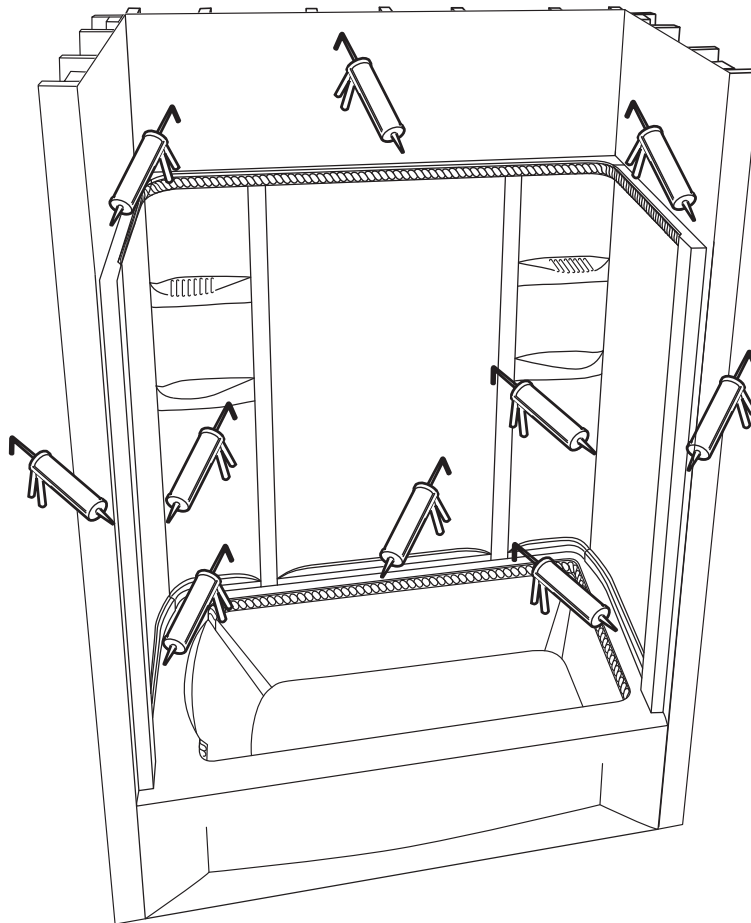
**7**

When installing greenboard, position drywall screws above the top nailing flange. If you choose to screw through the nailing flange, you **MUST** drill clearance holes in the flange to avoid cracking/damaging the flange.

**8**

**A)** After greenboard is installed, apply finished latex/acrylic caulk bead to all edges and joints. Follow caulk manufacturers' recommended cure time.

**B)** Make connections to supply and drain lines.



## **POST INSTALLATION CLEAN-UP**

Remove all construction debris. Tile grout can be removed with a wooden popsicle stick or tongue depressor. Do not use wire brushes or any other metal implement on surface.

Post installation clean-up generally can be completed using warm water and liquid dishwashing detergent. Stubborn dirt or stains may be removed using granular Spic and Span® mixed with water.

Painter's naphtha can be used to remove excess adhesives and/or wet oil-base paint.

## **AFTERCARE and CLEANING**

**⚠ WARNING:** Cleaning products with labels that say "not suitable for use with ABS, acrylic or polystyrene" **SHOULD NOT BE USED.** Read all labels carefully.

- Excessively hot water may cause surface damage.
- **HARSH CHEMICALS SHOULD NEVER BE USED ON SHOWER WALL SURFACE.** Clean after use with a mild liquid household detergent cleaner. Do not use Lestoil, Lysol Disinfectant (spray or concentrate), or Lysol Basin, Tub and Tile Cleaner, Windex, Mr. Clean, Dow Disinfectant Bathroom Cleaner, or cleaning products in aerosol cans.
- Do not use wire brushes, knives or sharp objects to remove stains, cigarette tar deposits, or other surface blemishes.
- Abrasive cleaners or powders must not be used, since they will dull the surface. If the glossy surface loses its sheen, dulled areas or light scratches can be restored by rubbing with a white "automotive type" polishing compound and waxing with a "liquid wax."
- **Do not wax areas where you walk or stand.**
- Do not allow nail polish remover, acetone, dry cleaning fluid, paint remover or other solvents to come into contact with the surface.
- Clean the surrounding surface immediately after using caustic drain cleaners.
- Burning cigarettes will damage the surface.
- Should damage to the fixture occur, repairs can be made quickly and easily. Your distributor or builder can provide details.

### **American Standard Limited Lifetime Warranty for Acrylics**

American Standard warrants to the original consumer purchaser that it will, at its option, repair or replace this whirlpool or any of its parts that are found by American Standard, in its sole judgment, to be defective under normal residential use and maintenance so long as it is owned by the original consumer purchaser.

This warranty shall only become effective upon receipt by American Standard of a completely filled out Warranty Registration Card evidencing proof of purchase.

**THIS WARRANTY SHALL BE VOID IF THE ACCESS PANEL TO THE WHIRLPOOL IS COVERED IN ANY MANNER CONTRARY TO THE INSTALLATION INSTRUCTIONS.** In no event will American Standard be liable for the cost of repair or replacement of any installation materials including but not limited to tiles, marble etc.

This limited warranty DOES NOT COVER the following:

1. Defects or damages arising from shipping, installation, alterations, accidents, abuse, misuse, lack of proper maintenance and cleaning as directed in the owner's manual and use of other than genuine American Standard replacement parts, in all cases whether caused by a plumbing contractor, service company, the owner or any other person.
2. Deterioration through normal wear and tear and the expense of normal maintenance.
3. Commercial application.
4. Options and accessories. American Standard's limited warranty on these items is one year for parts only and excludes labor. This one year limited warranty covers accessories manufactured by American Standard (e.g. aprons, drains, grab bars, heaters, trim kits) against defects of material or workmanship. Warranty coverage begins on the date the accessory was originally purchased by the owner.
5. Postage or shipping costs for returning products for repairs or replacement under this limited warranty and labor or other costs incurred in connection with product removal or installation under this limited warranty.
6. ANY LIABILITY FOR CONSEQUENTIAL OR INCIDENTAL DAMAGES, ALL OF WHICH ARE HEREBY EXPRESSLY DISCLAIMED, OR THE EXTENSION BEYOND THE DURATION OF THIS LIMITED WARRANTY OF ANY IMPLIED WARRANTIES, INCLUDING THOSE OF MERCHANTABILITY OR FITNESS FOR AN INTENDED PURPOSE. (Some jurisdictions do not allow limitations on how long an implied warranty lasts, or the exclusion or limitation of incidental or consequential damages, so these limitations and exclusions may not apply to you.)
7. Responsibility for compliance with local code requirements. (Since local code requirements vary greatly distributors, retailers, dealers, installation contractors and users of plumbing products should determine whether there are any code restrictions on the installation or use of a specific product.)

This warranty gives you specific legal rights. You may have other legal rights that vary from state to state. For service under this warranty, you should contact the following:

#### **In the United States:**

American Standard Inc.  
P.O. Box 659

West Caldwell, New Jersey 07007  
Attention: Director of Consumer Affairs

For residents of the United States, warranty information may also be obtained by calling the following toll free number: (800) 442-1902

[www.americanstandard-us.com](http://www.americanstandard-us.com)

#### **In Canada:**

American Standard  
2480 Stanfield Rd.  
Mississauga, Ontario  
Canada L4Y 1S2

Toll Free: (800) 387-0369

[www.americanstandard.ca](http://www.americanstandard.ca)

#### **In Mexico:**

Customer Service Manager  
Ideal Standard, S.A. de C.V.  
Via Morelos #330  
Col. Santa Clara  
Ecatepec 55540 Edo. Mexico

[www.americanstandard.com.mx](http://www.americanstandard.com.mx)