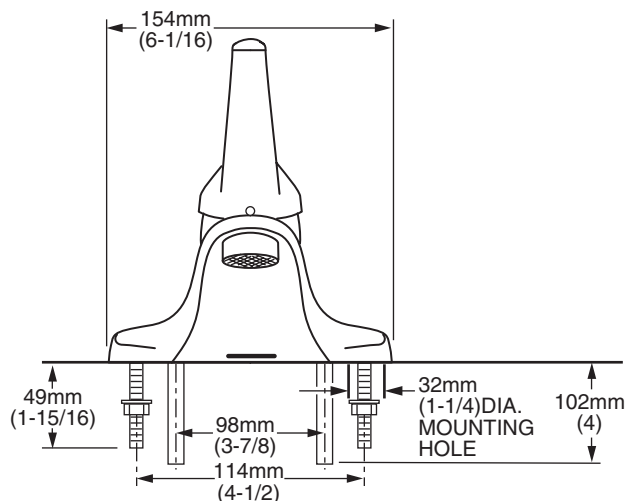
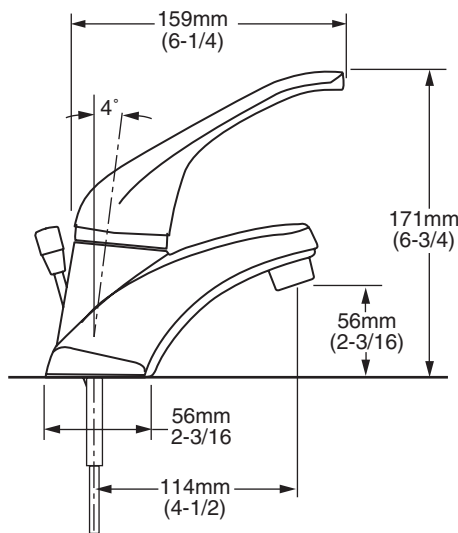


2385.007 Shown.

MODEL NUMBER:

- 2385.007 Lavatory Faucet**
3/8" O.D. copper inlets. Metal pop-up drain.
- 2385.407 Lavatory Faucet**
Metal pop-up drain. 1/2" male threaded connectors and nuts.
- 2385.008 Lavatory Faucet**
Less drain. 3/8" O.D. copper inlets. Less pop-up hole.
- 2385.009 Lavatory Faucet**
Grid drain. 3/8" O.D. copper inlets. Less pop-up hole. Vandal Resistant 0.5 gpm Spray.
- 2385.010 Lavatory Faucet**
Less pop-up drain. 3/8" O.D. copper inlets. With pop-up hole and rod.
- 2385.011 Lavatory Faucet**
Less drain. 3/8" O.D. copper inlets. Less pop-up hole. Vandal Resistant 0.5 gpm Spray.



GENERAL DESCRIPTION:

All metal body with extra long Metal Lever Handle. Washerless 47mm ceramic disc valve cartridge. Equipped with a hot limit safety stop. Choice of 3/8" copper supplies or 3/8" O.D. copper with 1/2" male connectors and nuts. Metal lever handle with large "comfort zone". Fitting mounts on 4" centers. 2.2 gpm/8.3L/min. maximum flow rate.

PRODUCT FEATURES:

- All Copper Waterway:** Highest quality, faucet material for durability & long life.
- Ceramic Disc Valve Cartridge:** Assures smooth, precise valve control and a lifetime of drip-free, maintenance-free performance.
- Wide Comfort Zone:** Gives more sensitive temperature control.
- Adjustable Hot Limit Safety Stop:** Limits the amount of hot water allowed to mix with cold. Reduces the risk of accidental scalding.
- Low Lead:** Meets NSF Standard 61/Section 9 & Prop 65 lead requirements.

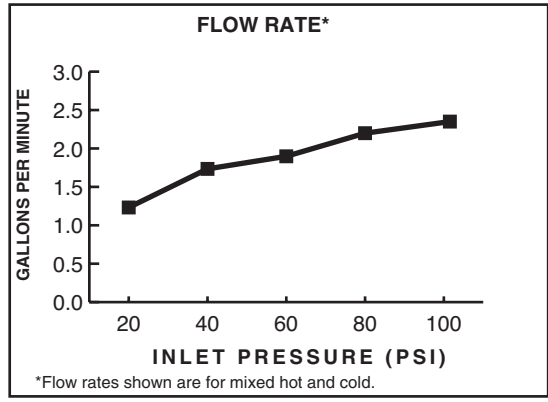
SUGGESTED SPECIFICATION

Single control lavatory fitting shall feature an all metal body with extra long metal lever handle. Shall also feature a washerless ceramic disc valve cartridge. Fitting shall be equipped with a hot limit safety stop. Fitting shall be American Standard Model # 2385.____.


CODES AND STANDARDS

These products meet or exceed the following codes and standards:

- ANSI A117.1**
- ASME A112.18.1**
- CSA B 125**
- NSF 61/Section 9**



Product Number	Description	Finish
		Polished Chrome
		002
2385.007	Lavatory Faucet. Extra Long Metal Lever Handle. Metal pop-up drain. 3/8" O.D. copper inlets. 2.2gpm/8.3 L/min max. flow rate.	
2385.407	Lavatory Faucet. Extra Long Metal Lever Handle. Metal pop-up drain. 3/8" O.D. copper inlet supplies with 1/2" male threaded connectors and nuts. 2.2gpm/8.3 L/min max. flow rate.	
2385.008	Lavatory Faucet. Extra Long Metal Lever Handle. Less pop-up drain. 3/8" O.D. copper inlets. Less pop-up hole. 2.2gpm/8.3 L/min max. flow rate.	
2385.009	Lavatory Faucet. Extra Long Metal Lever Handle. Grid drain. 3/8" O.D. copper inlets. Less pop-up hole. Vandal Resistant 0.5 gpm/ 1.9 L/min Spray.	
2385.010	Lavatory Faucet. Extra Long Metal Lever Handle. Less pop-up drain. 3/8" O.D. copper inlets. With pop-up hole and rod. 2.2gpm/8.3 L/min max. flow rate.	
2385.011	Lavatory Faucet. Extra Long Metal Lever Handle. Less drain. 3/8" O.D. copper inlets. Less pop-up hole. Vandal Resistant 0.5 gpm/ 1.9 L/min Spray.	

 Meets the American Disabilities Act Guidelines and **ANSI A117.1** Requirements for the physically challenged.