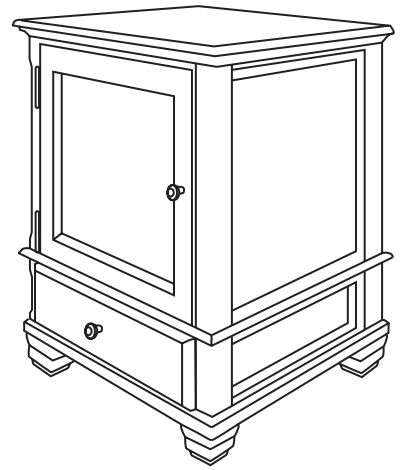


ASSEMBLY & INSTALLATION INSTRUCTIONS

Providence 24" Vanity with Wood Top 9424.200

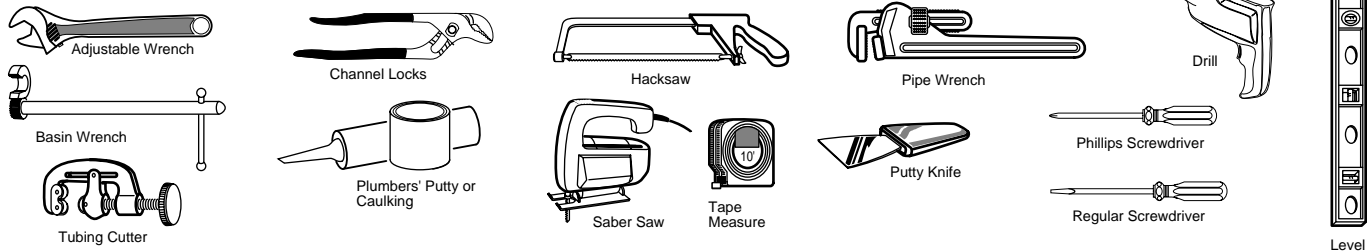


VANITY TOP	RECOMMENDED SINKS
WOOD TOP (SUPPLIED)	SEBRING 0573 COVENTRY 0575
MARBLE TOP (OPTIONAL) 9424.495	OVALYN 0495.221

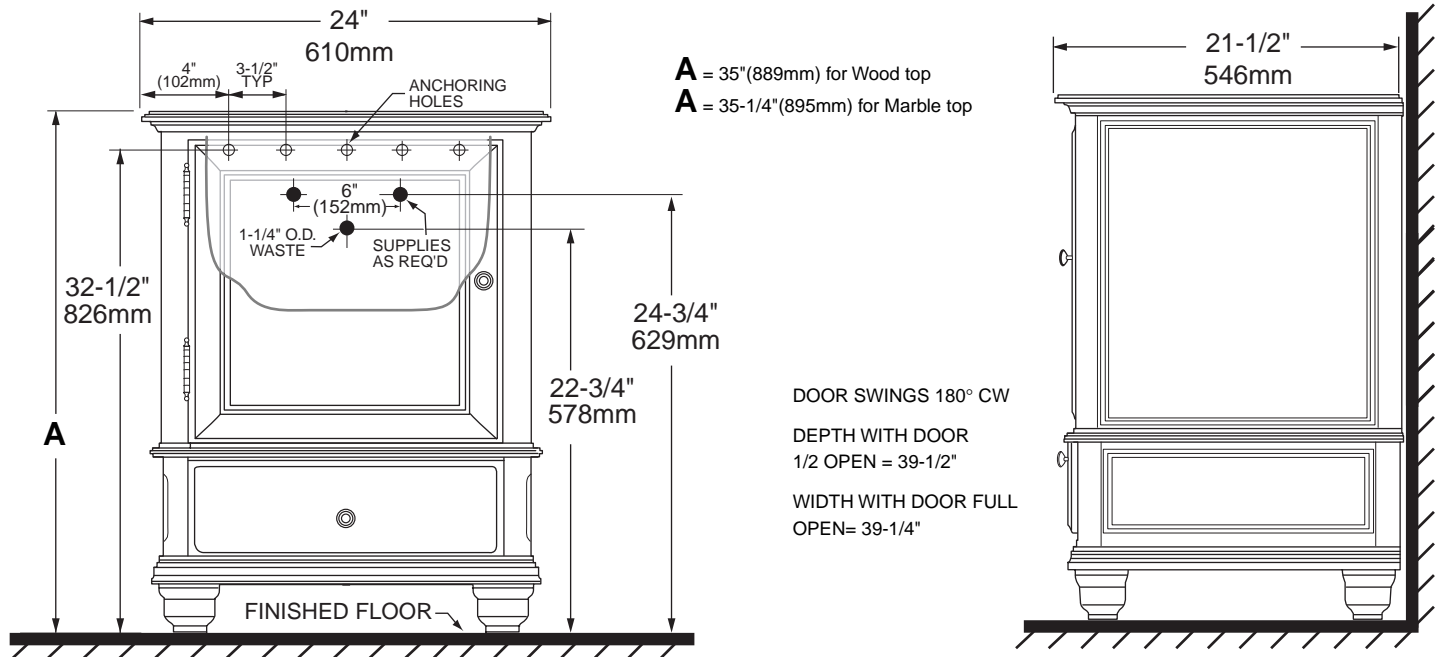
Thank you for selecting our products...products which have been the benchmarks of fine quality for over 100 years. To help insure that the installation process will proceed smoothly, please read these instructions carefully before you begin. Also, review the recommended tools and materials list; carefully unpack and examine your new plumbing fixture.

To maintain the beauty of the finish, avoid placing the furniture in direct sunlight, as sunlight causes fading. Also avoid extreme changes in temperature by arranging furniture away from radiators, heat and air vents, and air conditioning units. Avoid placing furniture directly under windows.

Recommended Tools & Materials



Roughing-in Dimensions



VANITY INSTALLATION

Provide suitable reinforcement required for anchoring the vanity to the wall. Centerline of reinforcement should be 32-1/2" up from the floor (see Figure 1).

Back legs are set inward from the rear of the vanity which allows the vanity to sit flush against the wall over most types of molding. If the vanity interferes with the molding, the molding needs to be notched to seat the vanity flush against the wall (see Figure 2).

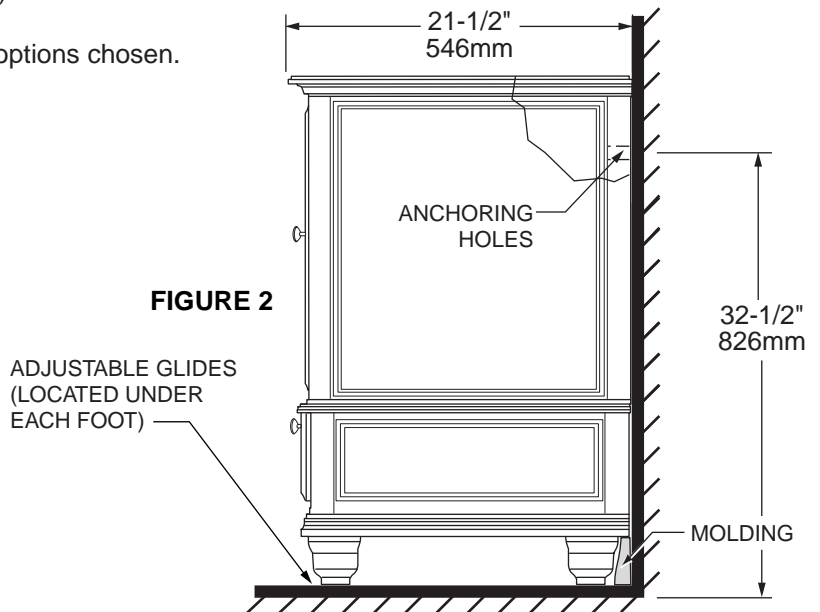
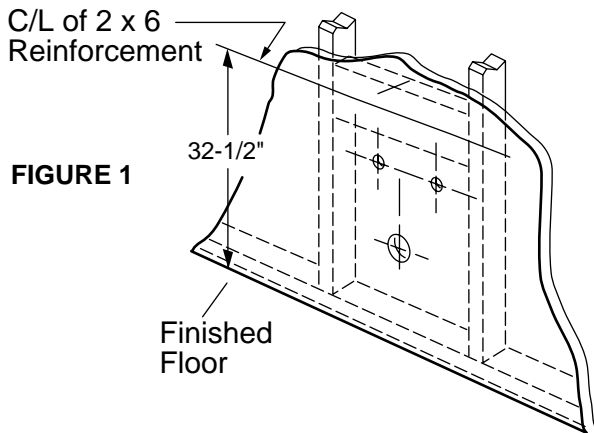
Rough in supply lines and waste per rough in dimensions.

NOTE: If current supply lines are greater than 6" on center, they may interfere with cutout in rear of vanity or vanity shelf.

Remove the wood top from the vanity. The top is held in place from the underside by 4 screws, 1 through each of the 4 angled corner braces.

Move the vanity into place and level with the adjustable glides on the bottom of the feet. The glides can be adjusted outward up to 1" but it is recommended not to exceed 1/2" if possible. Anchor it to the wall through at least 2 of the anchoring holes in the rear of the vanity (see Figure 2).

Continue with installation appropriate for top and sink options chosen.



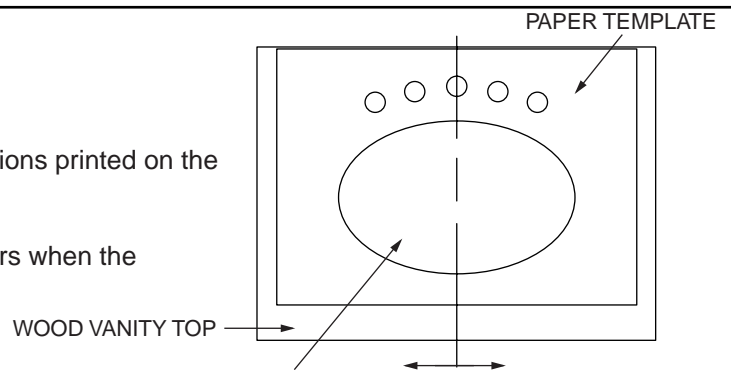
Wood Top with Recommended Sinks...

Two people recommended for this installation

Determine which sink is being installed and follow the instructions printed on the appropriate template supplied with vanity.

NOTE: American Standard is not responsible for cut-out errors when the incorrect cut-out template is used.

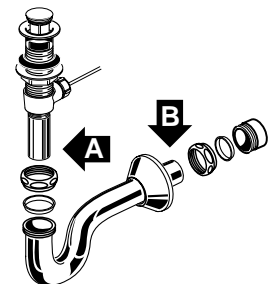
If Installing:	Use Template:
Sebring 0573	730541-400
Coventry 0575	730542-400



IMPORTANT: BE SURE TO CENTER SINK CUT OUT HORIZONTALLY ON VANITY TOP.

After top is replaced, connect the trap to the drain assembly hand tight to check alignment. It may be necessary to cut off part of the tailpiece (area "A") or part horizontal leg of the trap (area "B").

Connect hot and cold supply lines to the shut off valves. Tighten trap joints for watertight assembly.



Optional marble top 9424.495 with Ovalyn 0495.221 undermount sink...

Two people recommended for this installation

NOTE: Marble top comes pre-cut for the Ovalyn under counter mount sink and 8" faucet spread. Also, it is strongly recommended that the marble top be sealed after installation and prior to use.

Remove wood top if not already done.

Mount the drain assembly (not included) on the sink. Be certain to apply a bead of sealing putty on the underside of the drain (Part "A") in order to ensure a watertight seal between the sink and drain. Remove excess putty after installing the drain on the sink.

Turn the marble top upside down and place it on a clean, scratch resistant surface. Apply a bead of silicone adhesive to the rim of the sink. Center the sink over the cutout and (secure it to the top using the mounting kit provided).

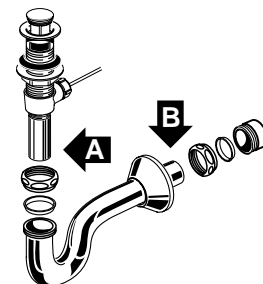
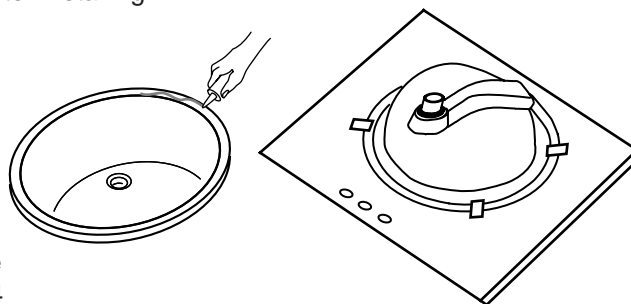
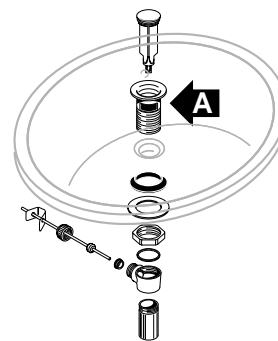
NOTE: Brass inserts are preinstalled on the underside of the marble top. Use the 4 brackets supplied with the sink mounting kit and the 4 screws supplied with the marble top.

Turn the top right-side up and install the faucet per the manufacturer's instructions.

Apply a bead of silicone adhesive to the rim of the vanity. Place the marble top centered left to right on the vanity and with the back edge of the top even with the rear of the vanity. Clean up any excess silicone.

Connect the trap to the drain assembly hand tight to check alignment. It may be necessary to cut off part of the tailpiece (area "A") or part horizontal leg of the trap (area "B").

Connect hot and cold supply lines to the shut off valves. Tighten trap joints for watertight assembly.



Care and Cleaning of Vanity

Dust the vanity frequently with a clean, soft, dry, lint-free cloth, as well as polish it on a regular basis. Clean the surface by rubbing in the direction of the grain. Use polishes that contain detergents, emulsifiers and mineral oil. Avoid using silicone cleaners and waxes.

Clean up excess water and spills immediately. Use a blotting rather than a wiping action. Water left over a long period of time will cause white spots in the finish.

NOTE: Please note that some chemicals may damage the finish. Take care to avoid the following: iodine, hair dye, after shave lotion, shaving cream, alcohol, perfume, Lestoil®, Lysol Tub and Tile Cleaner®, Lysol Spray Disinfectant®, Dow Disinfectant®, acetone, paint remover, Formula 409®, Tile-X®, and Nair®.

Care and Cleaning of the Marble Vanity Top

Marble is porous and easily stained. Wipe off anything spilled on it immediately. It should be washed or cleaned regularly with fresh warm water and a non-abrasive clean cloth. Also, using a non-abrasive, neutral (pH balanced) cleaner will help remove dirt and grime, but it is recommended to first try warm water only.

Marble should be sealed regularly with a good quality marble sealer. Marble sealers are available at most retail home supply stores. Follow the instructions on the sealer container for proper application and frequency of use. The sealer acts as a stain inhibitor and prevents most stains and soil from being absorbed into the porous surface, but it is NOT a guarantee against staining. All spills should be cleaned immediately. Avoid contact with all oils and petroleum-based products. Also, avoid contact with all acid or caustic products such as vinegar, citrus or fruit juices, soda, chlorine, and nail polish remover. If the marble is well sealed, the warm water and non-abrasive cloth should keep it clean.

AMERICAN-STANDARD GRANITE/MARBLE TABLE TOP WARRANTY

If inspection of this American-Standard plumbing product, within one year after its initial purchase, confirms that it is defective in materials or workmanship, American-Standard will repair or, at its option, exchange the product for a similar model. Variations in shading, veining, and texture which may result from natural characteristics of stone and as such are not defects and are not covered by this warranty.

This warranty applies only to the original purchaser and installation of these products.

This limited warranty does not apply to local building code compliance. Since local building codes vary considerably, the purchaser of this product should check with a local building or plumbing contractor to insure local code compliance before installation.

This warranty shall be void if the product has been moved from its initial place of installation; if it has been subjected to faulty maintenance, abuse, misuse, accident or other damages; if it was not installed in accordance with American-Standard's instructions; or if it has been modified in a manner inconsistent with the product as shipped by American-Standard.

American-Standard's option to repair or exchange the product under this warranty does not cover any labor or other costs of removal or installation, nor shall American-Standard be responsible for any other incidental or consequential damages attributable to a product defect or to the repair or exchange of a defective product, all of which are expressly excluded from this warranty. (Some states or provinces do not allow the exclusion or limitation of implied warranties, so this exclusion may not apply to you).

This warranty gives you specific legal rights. You may have other statutory rights that vary from state to state or province to province, in which case this warranty does not affect such statutory rights.

AMERICAN-STANDARD WOOD FURNITURE WARRANTY

If inspection of this American-Standard plumbing product, within one year after its initial purchase, confirms that it is defective in materials or workmanship, American-Standard will repair or, at its option, exchange the product for a similar model. Variations in actual wood color and finishes which may result from natural characteristics of the wood, such as grain patterns, mineral streaks and the like, are not defects and are not covered by this warranty.

This warranty applies only to the original purchaser and installation of these products.

This limited warranty does not apply to local building code compliance. Since local building codes vary considerably, the purchaser of this product should check with a local building or plumbing contractor to insure local code compliance before installation.

This warranty shall be void if the product has been moved from its initial place of installation; if it has been subjected to faulty maintenance, abuse, misuse, accident or other damages; if it was not installed in accordance with American-Standard's instructions; or if it has been modified in a manner inconsistent with the product as shipped by American-Standard.

American-Standard's option to repair or exchange the product under this warranty does not cover any labor or other costs of removal or installation, nor shall American-Standard be responsible for any other incidental or consequential damages attributable to a product defect or to the repair or exchange of a defective product, all of which are expressly excluded from this warranty. (Some states or provinces do not allow the exclusion or limitation of implied warranties, so this exclusion may not apply to you).

This warranty gives you specific legal rights. You may have other statutory rights that vary from state to state or province to province, in which case this warranty does not affect such statutory rights.

In the United States:

American Standard Inc.
P.O. Box 6820
Piscataway, New Jersey 08855
Attention: Director of Consumer Affairs

In Canada:

American Standard
2480 Stanfield Rd.
Mississauga, Ontario
Canada L4Y 1S2

In Mexico:

Customer Service Manager
Ideal Standard, S.A. de C.V.
Via Morelos #330
Col. Santa Clara
Ecatepec 55540 Edo. Mexico

For residents of the United States, warranty information may also be obtained by calling the following toll free number: (800) 442-1902

Toll Free: (800) 387-0369

REPAIR PART NO.	DESCRIPTION
738634-0070A	DOOR ROLLER CATCH (1 PAIR)
738635-0070A	SHELF PINS (8 PER PACK)
738636-0070A	DOOR PULL (1 PER PACK)
738638-0070A	ADJUSTABLE FOOT GLIDES (4 PER PACK)
738778-0070A	REPLACEMENT MOUNTING KIT 243 4 (M6 X 2.5) SCREWS, INSERTS, AND WASHERS
738776-XXX0A	FURNITURE TOUCH UP MARKER
738893-XXX0A	ADJUSTABLE SHELF
738894-XXX0A	DOOR
738895-XXX0A	DRAWER ASSEMBLY
738888-XXX0A	HINGE
738637-XXX0A	LEG (1/PACK)

NOTE: PLEASE SPECIFY FINISH
XXX - 214 Weathered White
XXX - 240 Weathered Black