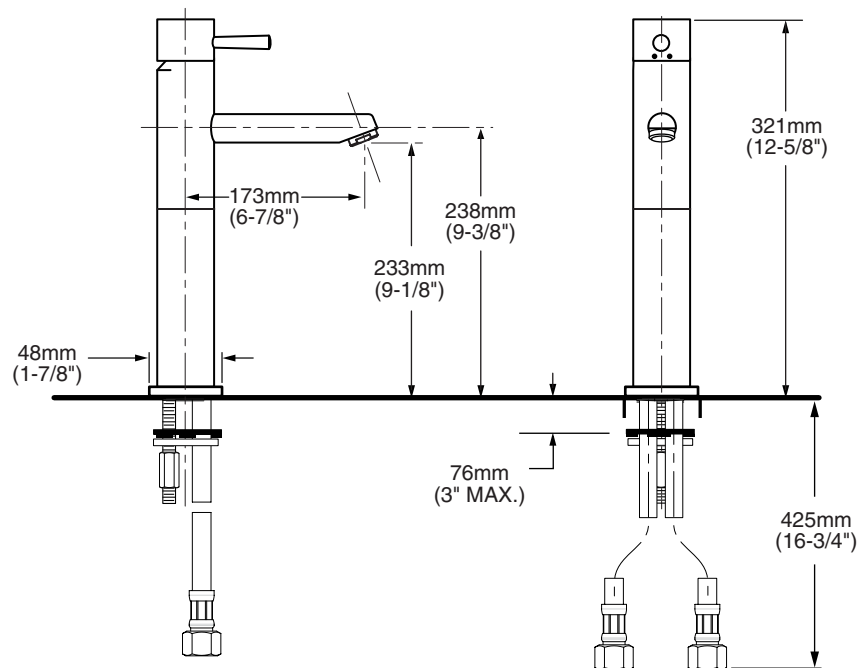


**MODEL NUMBER:**

- ☐ 2064.152 One Single Control Monobloc Grid Drain
- ☐ 2064.151 One Single Control Monobloc Less Drain



**GENERAL DESCRIPTION:**

Brass body. Washerless 35mm ceramic disc valve cartridge with integral hot limit safety stop. Braided flexible supply hoses with 3/8" compression connectors. 1.5 gpm/5.7L/min. maximum flow rate.

**PRODUCT FEATURES:**

**Brass Construction:** Durable. Easy to clean. Ideal for prolonged contact with water.

**Ceramic Disc Valve Cartridge:** Assures a lifetime of smooth handle operation and drip-free performance.

**Adjustable Hot Limit Safety Stop:** Limits the amount of hot water allowed to mix with cold. Reduces the risk of accidental scalding.

**Low Lead:** Meets NSF Standard 61/Section 9 & Prop 65 lead requirements.

**Choice of Finishes:** Available in Polished Chrome or Satin Nickel (PVD).

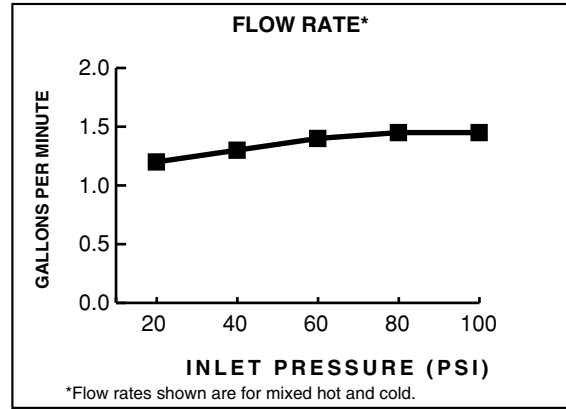
**SUGGESTED SPECIFICATION:**

Single control lavatory faucet shall feature a brass body and metal lever handle. Fitting shall be equipped with flexible supplies with 3/8" compression connectors. Shall also feature washerless ceramic disc valve cartridge with an integral hot limit safety stop. Fitting shall be American Standard Model # 2064\_.


**CODES AND STANDARDS**

These products meet or exceed the following codes and standards:

- ANSI A117.1**
- ASME A112.18.1**
- CSA B 125**
- NSF 61/Section 9**



Product Number	Description	Finish Options	
		Polished Chrome	PVD Satin Nickel
		002	295
2064.152	One Single Control Monobloc faucet with grid drain.		
2064.151	One Single Control Monobloc faucet less drain.		

 Meets the American Disabilities Act Guidelines and **ANSI A117.1** Requirements for the physically challenged.