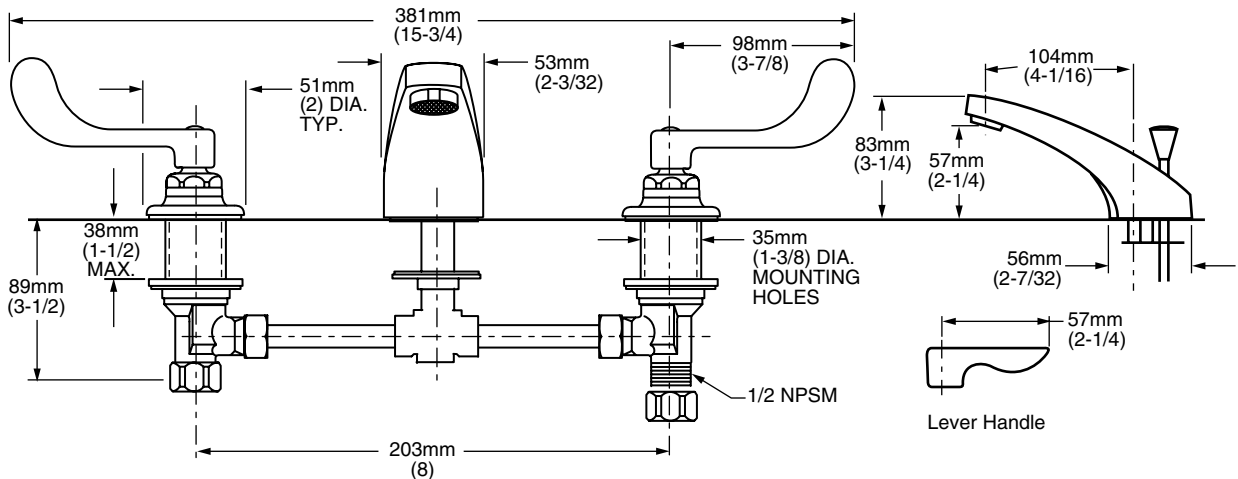


6501.170 Shown

**MODEL NUMBER:**

- 6500.170 Widespread Lavatory**  
1.5 gpm Pressure Compensating Aerator.  
Vandal-Resistant Wrist Blade handles.  
Less drain and pop-up hole.
- 6501.170 Widespread Lavatory**  
1.5 gpm Pressure Compensating Aerator.  
Vandal-Resistant Wrist Blade handles. Pop-up drain.
- 6502.170 Widespread Lavatory**  
1.5 gpm Pressure Compensating Aerator.  
Vandal-Resistant Wrist Blade handles. Grid strainer drain.
- 6500.140 Widespread Lavatory**  
1.5 gpm Pressure Compensating Aerator.  
Vandal-Resistant Lever handles.  
Less drain and pop-up hole.
- 6501.140 Widespread Lavatory**  
1.5 gpm Pressure Compensating Aerator.  
Vandal-Resistant Lever handles. Pop-up drain.
- 6502.140 Widespread Lavatory**  
1.5 gpm Pressure Compensating Aerator.  
Vandal-Resistant Lever handles. Grid strainer drain.



**GENERAL DESCRIPTION:**

Durable cast brass construction throughout. Cast brass valve bodies with 8" rigid copper connection with compression fittings. 1/2" male threaded inlet shanks with brass coupling nuts. 1/4 turn ceramic disc valve cartridges. Choice of Vandal-Resistant Wrist Blade or Lever handles with blue & red color indexes. All brass drain bodies with 1-1/4" (32mm) tailpieces (on applicable models). 1.5 gpm/5.7L/min. maximum flow rate. Vandal-Resistant and Laminar Flow aerators are available.

**PRODUCT FEATURES:**

- Pressure Compensating Aerator:** Provides a constant water flow of 1.5 gpm throughout the pressure range
- Solid Brass Construction:** Durable - Excellent in high use applications. Ideal for prolonged contact with water.
- Ceramic Disc Valve Cartridges:** Assures a lifetime of drip-free performance.
- Low Lead:** Meets NSF Standard 61/Section 9 & Prop 65 lead requirements.

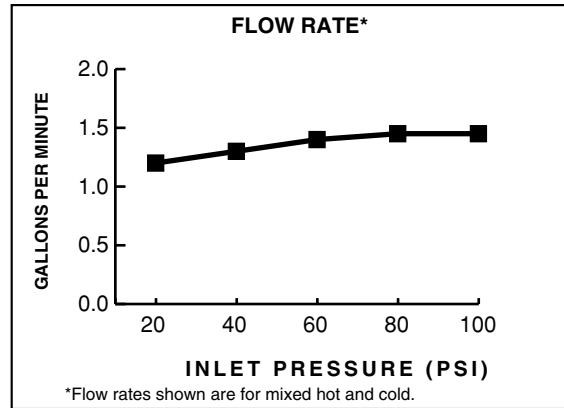
**SUGGESTED SPECIFICATION:**

Two handle widespread lavatory faucet shall feature cast brass valve bodies with 8" rigid copper connection. Shall feature water-conserving 1.5 gpm/5.7L/min. pressure compensating aerator. Vandal-Resistant handles. Shall also feature 1/4 turn washerless ceramic disc valve cartridges. Fitting shall be American Standard Model # 650\_\_\_\_.002.

**CODES AND STANDARDS**


These products meet or exceed the following codes and standards:

- ASME A112.18.1**
- CSA B 125**
- NSF 61/Section 9**



Product Number	Description	Finish
		Polished Chrome
		002
6500.170	Widespread Lavatory. 1.5 gpm/5.7L/min pressure compensating aerator. Vandal-Resistant Wrist Blade Handles. Less drain and pop-up hole.	
6501.170	Widespread Lavatory. 1.5 gpm/5.7L/min pressure compensating aerator. Vandal-Resistant Wrist Blade Handles. Pop-up drain.	
6502.170	Widespread Lavatory. 1.5 gpm/5.7L/min pressure compensating aerator. Vandal-Resistant Wrist Blade Handles. Grid strainer drain.	
6500.140	Widespread Lavatory. 1.5 gpm/5.7L/min pressure compensating aerator. Vandal-Resistant Lever Handles. Less drain and pop-up hole.	
6501.140	Widespread Lavatory. 1.5 gpm/5.7L/min pressure compensating aerator. Vandal-Resistant Lever Handles. Pop-up drain.	
6502.140	Widespread Lavatory. 1.5 gpm/5.7L/min pressure compensating aerator. Vandal-Resistant Lever Handles. Grid strainer drain.	

**Note:** For Vandal-Resistant models add "VP" following the product number.  
 Example - 6500.170VP.002 = Widespread Lavatory. Vandal-Resistant Wrist Blade Handles. Less drain and pop-up hole in Polished Chrome finish.

 Meets the American Disabilities Act Guidelines and **ANSI A117.1** Requirements for the physically challenged.

<b>Other Aerators Available:</b>	
Part Suffix	Description
V15	1.5 gpm Pressure Compensating Vandal-Resistant Aerator
L15	1.5 gpm Pressure Compensating Laminar Flow Outlet
LV15	1.5 gpm Pressure Compensating Vandal-Resistant Laminar Flow Outlet
V05	0.5 gpm Pressure Compensating Vandal-Resistant Spray