

DISTILLED & PURE WATER FITTINGS

Thank you for selecting American-Standard...the benchmark of fine quality for over 100 years. To ensure that your installation proceeds smoothly—please read these instructions carefully before you begin.



7275.100
(Pure Water)



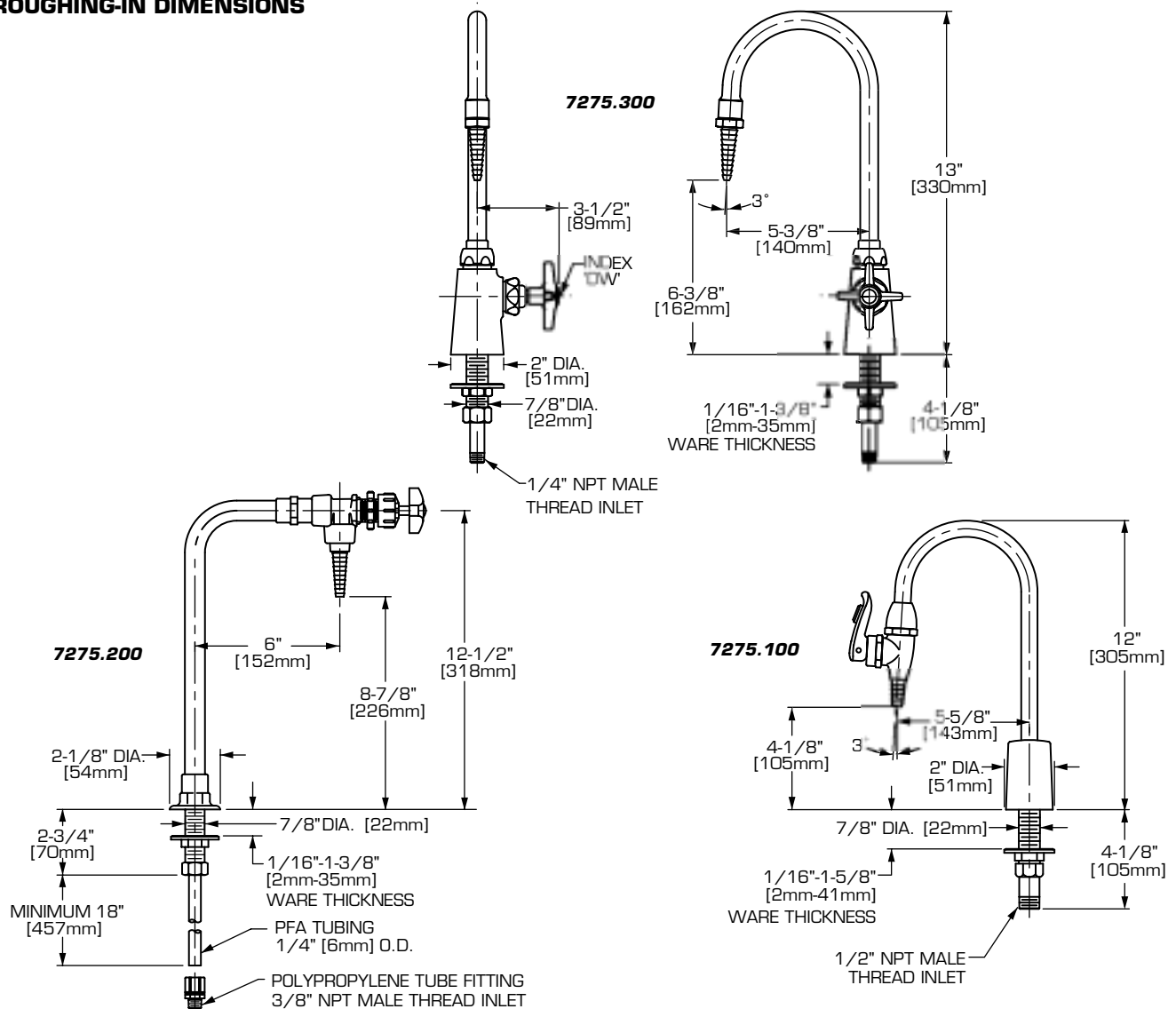
7275.200
(Pure Water)



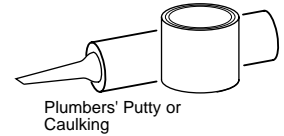
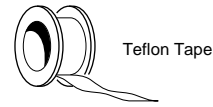
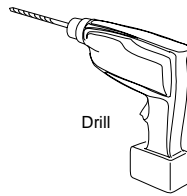
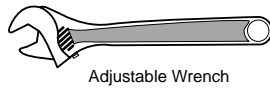
7275.300
(For Distilled Water)

M968490

ROUGHING-IN DIMENSIONS



TOOLS AND SUPPLIES REQUIRED



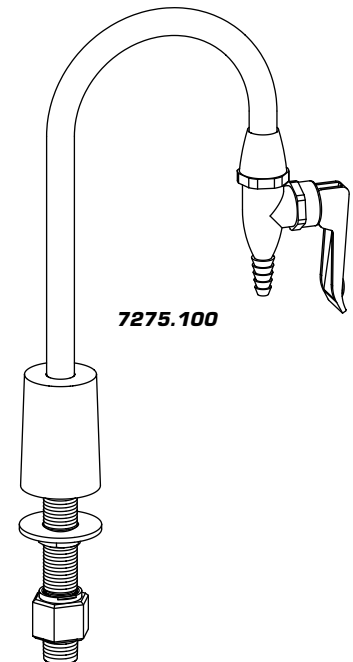
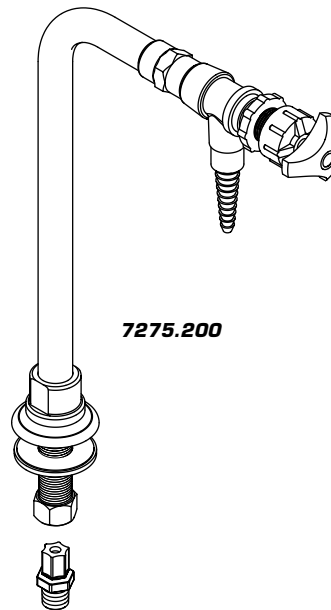
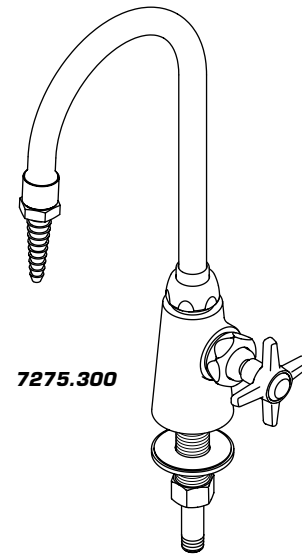
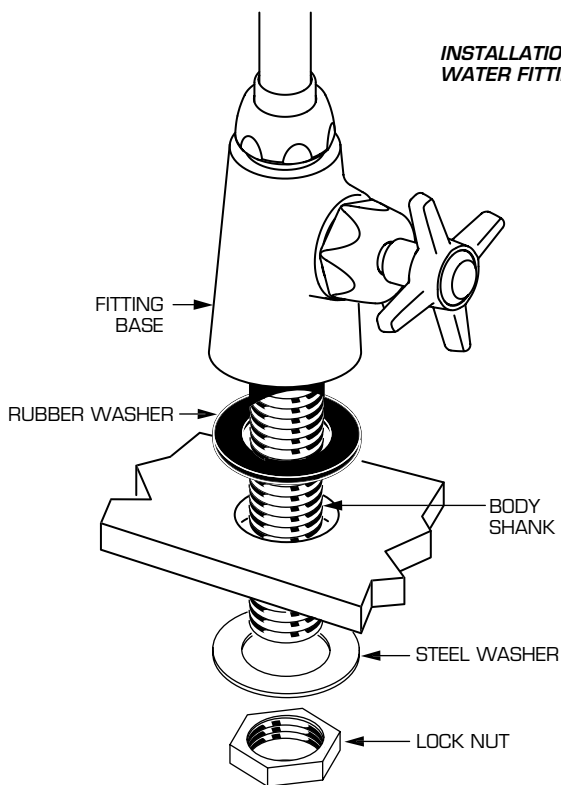
1

INSTALL FITTING [7275.100, 7275.200, 7275.300]

IMPORTANT: FLUSH ALL SUPPLY LINES PRIOR TO FITTING INSTALLATION.

- Drill a one inch dia. hole in mounting surface if required. Mounting holes in ware can range from 1" to 1-3/8" dia.
- Remove **mounting nuts, washers, coupling nuts** and **pipe connection** from spout shank if attached.
- Assemble **rubber washer** onto **body shank**.
- Place **body shank** through hole in mounting surface and align fitting. Assemble **steel washer** and **lock nut**. Tighten securely.
- Pipe to service to complete installation. *See rough-in drawings for pipe connection requirements.*
- After installation is complete turn service on and check all connections for leaks.

INSTALLATION IS TYPICAL FOR ALL WATER FITTINGS



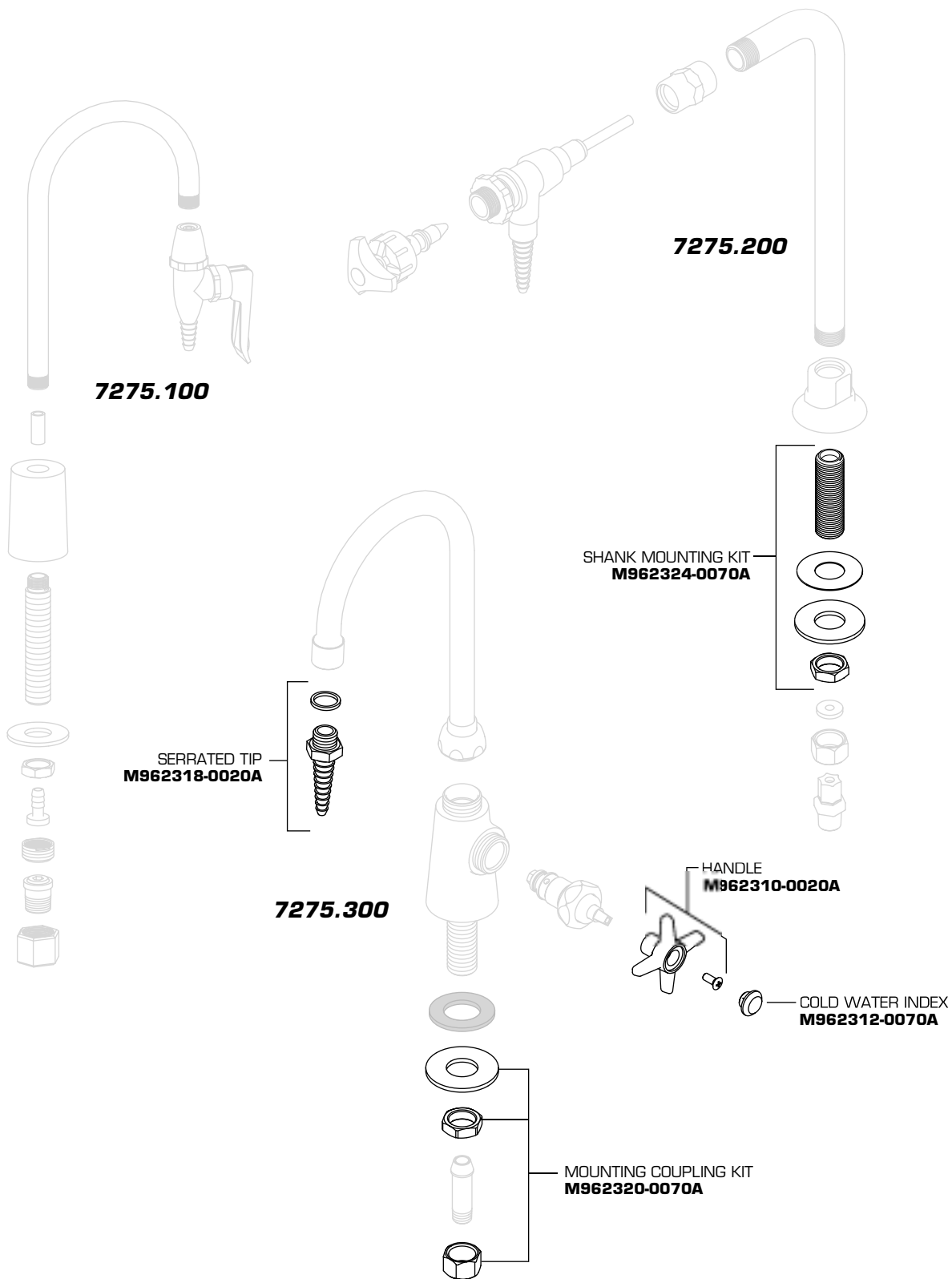
CARE INSTRUCTIONS:

DO: SIMPLY RINSE THE PRODUCT CLEAN WITH CLEAR WATER. DRY WITH A SOFT COTTON FLANNEL CLOTH.

DO NOT: CLEAN THE PRODUCT WITH SOAPS, ACID, POLISH, ABRASIVES, HARSH CLEANERS, OR A CLOTH WITH A COARSE SURFACE.

American Standard

AVAILABLE REPAIR PARTS



HOTLINE FOR HELP
 For toll-free information and answers to your questions, call:
 1 (800) 442-1902

Weekdays
 8:00 to 7:00 p.m. Eastern Time

CANADA
 1-800-387-0369 (TORONTO 1-905-306-1093)