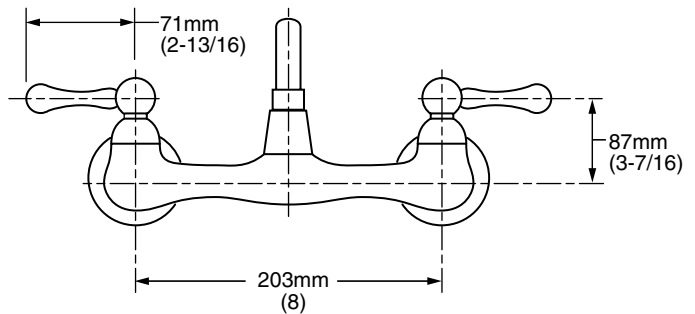
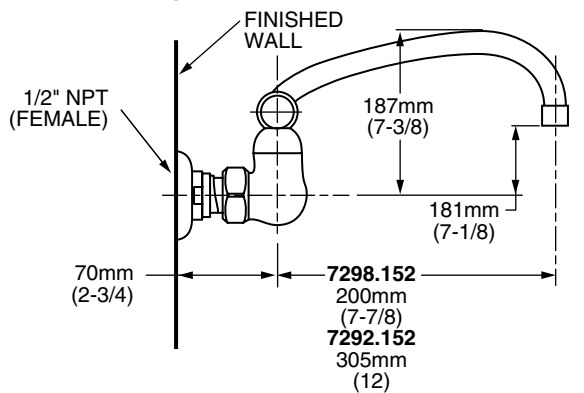
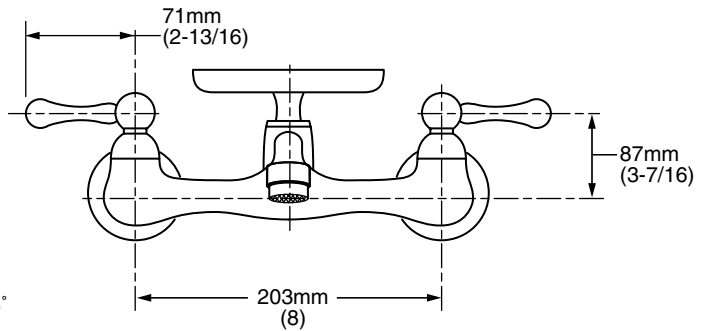
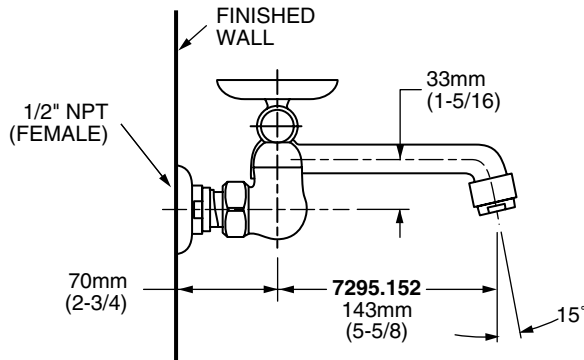


**MODEL NUMBER:**

- ❑ **7295.152 Wall-Mount Sink Faucet**  
5-5/8" cast swivel spout. Brass Lever Handles. Soap dish.
- ❑ **7298.152 Wall-Mount Sink Faucet**  
8" tubular swivel spout. Brass Lever Handles. Less soap dish.
- ❑ **7292.152 Wall-Mount Sink Faucet**  
12" tubular swivel spout. Brass Lever Handles. Less soap dish.



**GENERAL DESCRIPTION:**

Durable brass construction throughout. Amaris 1/4 turn washerless ceramic disc valve cartridges. One-half inch NPT female inlets with brass coupling nuts. 2.2gpm/8.3L/min. maximum flow rate.

**PRODUCT FEATURES:**

**Ceramic Disc Valve Cartridges:** Assures a lifetime of drip-free performance.

**Solid Brass Construction:** Durable - Excellent in high use applications. Ideal for prolonged contact with water.

**Low Lead:** Meets NSF Standard 61/Section 9 & Prop 65 lead requirements.

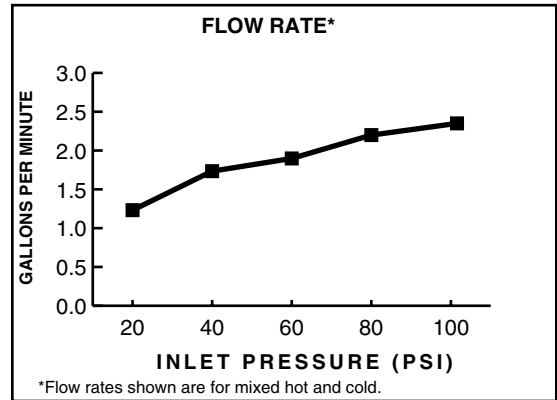
**SUGGESTED SPECIFICATION:**

Wall-mount sink faucet shall be cast brass construction with all brass coupling nuts. Shall also feature 1/4 turn washerless ceramic disc valve cartridges. Fitting shall be American Standard Model # \_\_\_\_\_.


**CODES AND STANDARDS**

These products meet or exceed the following codes and standards:

- ANSI A117.1**
- ASME A112.18.1**
- CSA B 125**
- NSF 61/Section 9**



Product Number	Description	Finish
		Polished Chrome 002
7295.152	Wall-mount sink faucet. 5-5/8" cast swivel spout. Brass Lever Handles. Soap dish.	
7298.152	Wall-mount sink faucet. 8" tubular swivel spout. Brass Lever Handles. Less soap dish.	
7292.152	Wall-mount sink faucet. 12" tubular swivel spout. Brass Lever Handles. Less soap dish.	

 Meets the American Disabilities Act Guidelines and **ANSI A117.1** Requirements for the physically challenged.