

American Standard

HERITAGE
AMARILIS

Installation Instructions 7190.132



Certified to comply with ANSI A112.18.1M
U.S. Patent No. 5,819,789

HERITAGE SERIES SINGLE-HOLE BAR/PANTRY FAUCET WITH SWING SPOUT with EverClean™ Finish

Congratulations on purchasing your American Standard faucet with EverClean finish found only on American Standard faucets.

EverClean Finish

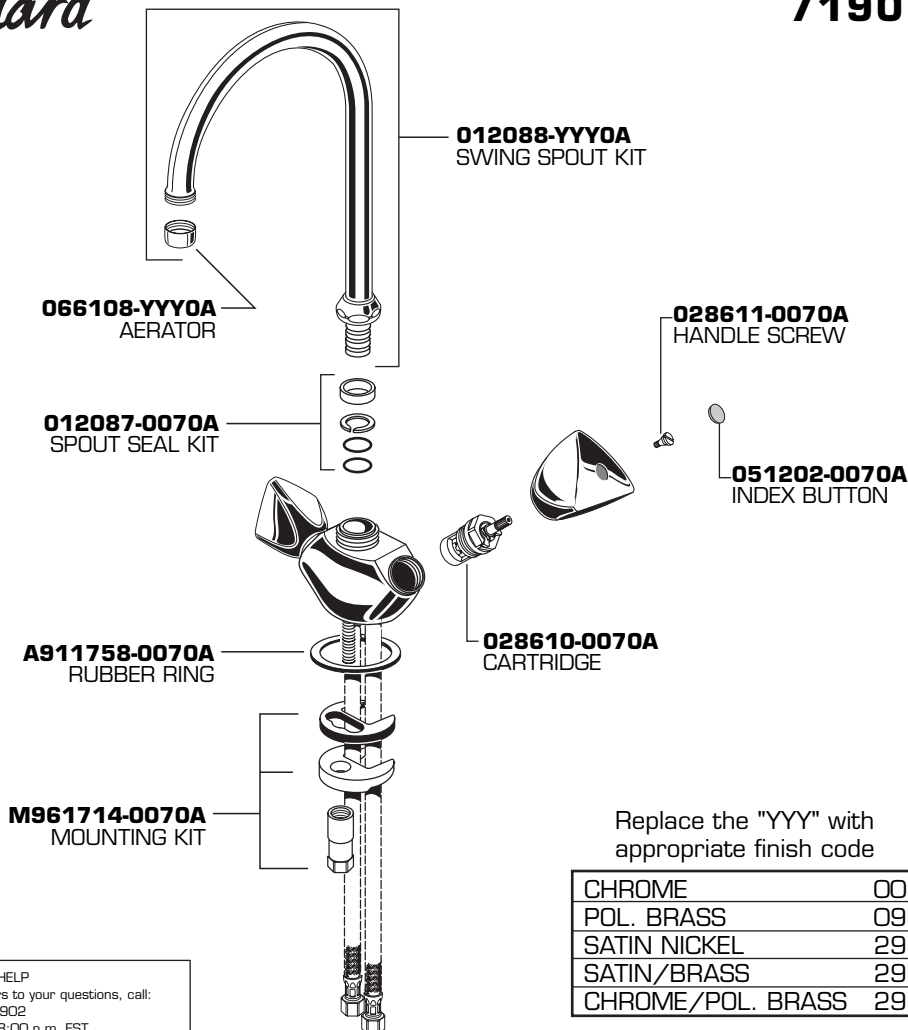
- One wipe effortlessly removes spots
- Eliminates the need for cleaners and scrubbing
- Permanent surface protectant remains beautiful for the life of the faucet
- EverClean™ available on: Polished Chrome, Satin Nickel, Stainless Steel, Polished Brass (or any combination of these finishes)

M51320 Rev.1.1

To ensure that your installation proceeds smoothly-please read these instructions carefully before you begin.

American Standard

7190.132



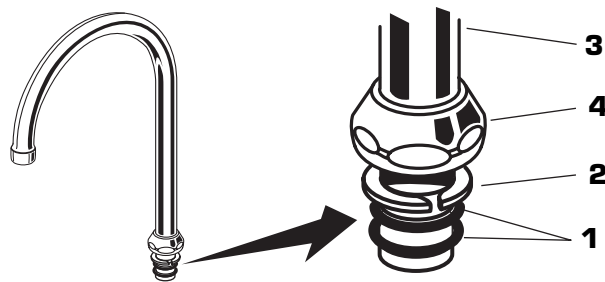
HOT LINE FOR HELP
For toll-free information and answers to your questions, call:
1 (800) 442-1902
Weekdays 8:00 a.m. to 8:00 p.m. EST
IN CANADA 1-800-387-0369 (TORONTO 1-905-306-1093)
Weekdays 8:00 a.m. to 7:00 p.m. EST
IN MEXICO 01-800-839-1200

Product names listed herein are trademarks of American Standard Inc.
© American Standard Inc. 1999

1 SWING SPOUT ASSEMBLY

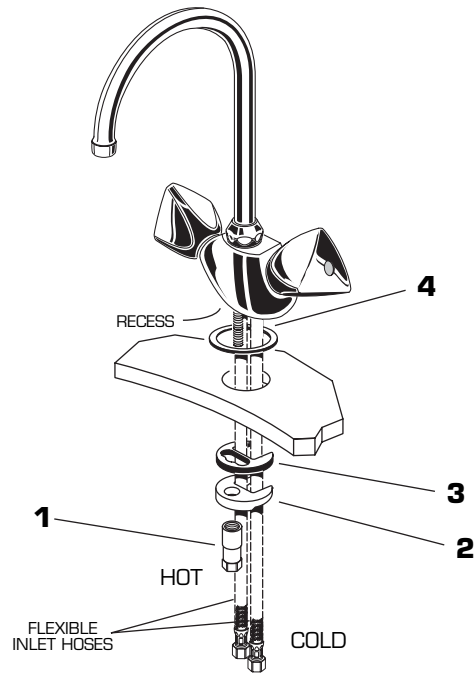
CAUTION Turn off hot and cold water supplies before beginning.

- Apply the grease (provided) liberally to the SPOUT O-RING (1) and SNAP RING (2) areas.
- Assemble the SPOUT (3) and tighten the SPOUT NUT (4) until snug on VALVE BODY.



2 FITTING INSTALLATION

- Remove LOCKNUT (1), BRASS WASHER (2), and GASKET (3) from fitting.
- Place RUBBER RING (4) in recess of fitting.
- Insert inlet hoses and THREADED SHANK through hole of sink making certain RUBBER RING (4) is properly seated in the recess of the fitting base.
- Assemble GASKET (3), BRASS WASHER (2), and LOCKNUT (1) onto the THREADED SHANK from underside of sink deck.
- Tighten the LOCKNUT (1) securely.
- Connect the hot water supply to the left inlet hose and the cold water supply to the right inlet hose using appropriate connectors.



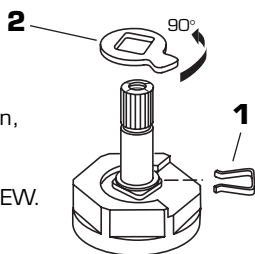
3 TEST INSTALLED FAUCET

- Remove AERATOR.
- With handle in OFF position, turn on water supplies and check all connections for leaks.

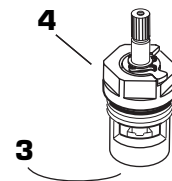
- Operate both handles to flush water lines thoroughly. Checkspout mounting and hose connections for leaks.
- Turn handles into OFF position and replace AERATOR.

4 SERVICE

- To change direction of handle rotation, proceed as follows:
 - Turn valve to OFF position.
 - Remove INSERT and HANDLE SCREW.
 - Slip HANDLE with ADAPTER off.
 - Remove SPRING CLIP (1).
 - Lift STOP WASHER (2), turn 90° and replace.
 - Replace SPRING CLIP (1).
 - Replace ADAPTER, HANDLE, SCREW, and INSERT.



- AERATOR may accumulate dirt causing distorted and reduced water flow. Remove AERATOR and rinse clean.
- If spout drips, operate handles several times from OFF to ON position. Do not force - handles turn only 90°.
- Plastic SCREEN (3) in CARTRIDGE (4) may accumulate dirt causing reduced water flow. To clean, first turn off hot and cold water supplies, then:
 - Remove INSERT and HANDLE SCREW.
 - Slip HANDLE with ADAPTER off.
 - Unscrew CARTRIDGE (4) with wrench.
 - Thoroughly rinse plastic SCREEN (3) at base of CARTRIDGE (4).
 - Replace CARTRIDGE (4) until flange is tight against valve body.
 - Turn valves OFF.
 - Replace ADAPTER, HANDLE, SCREW, and INSERT.



5 EverClean™ Finish Care Instructions

American Standard's EverClean finish will wipe clean with a soft, dry cloth. A soft cloth with clean water may also be used, if desired. No additional cleaning products are required.

DO NOT USE: Soaps, acid, polish, abrasives, harsh cleaners, or a cloth with a coarse surface.