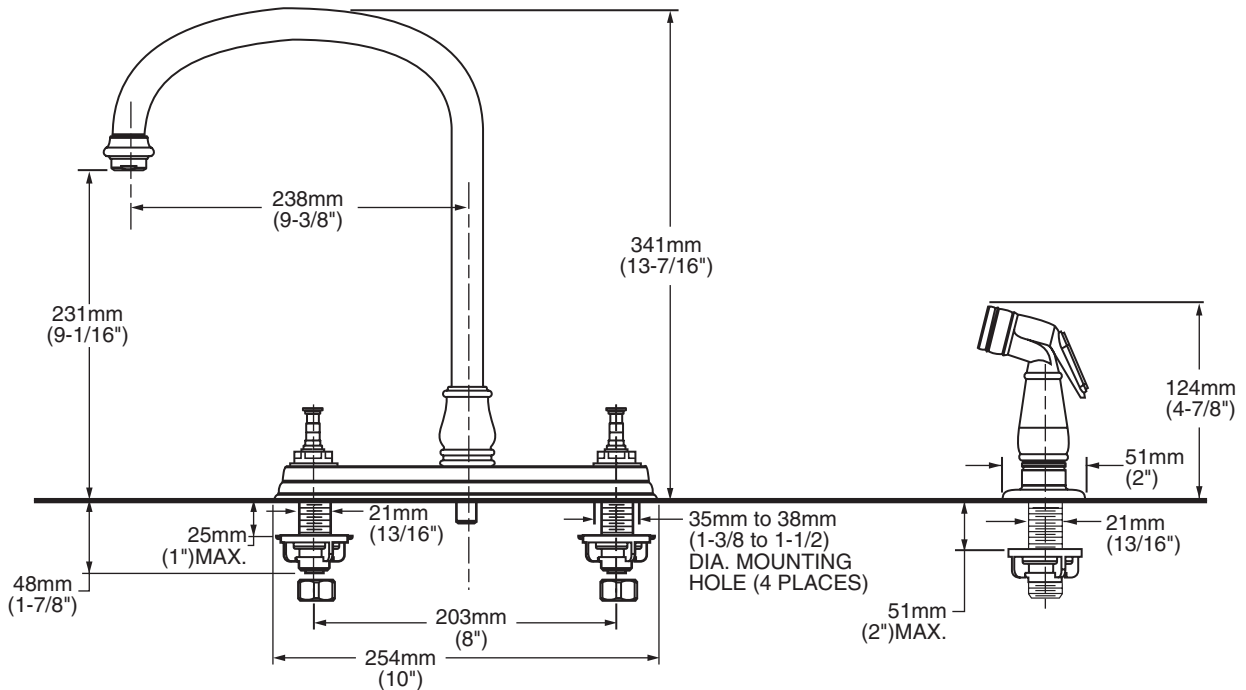


4771.702 Shown.

**MODEL NUMBER:**

- 4771.702 Top-Mount Kitchen Faucet**
  
 Color-matched Handspray. Porcelain cross handles.
- 4771.712 Top-Mount Kitchen Faucet**
  
 Color-matched Handspray. Porcelain lever handles.
- 4771.722 Top-Mount Kitchen Faucet**
  
 Color-matched Handspray. Metal cross handles.
- 4771.732 Top-Mount Kitchen Faucet**
  
 Color-matched Handspray. Metal lever handles.

**All models available Less Spray. See reverse.**



**GENERAL DESCRIPTION:**

Durable brass construction. 1/4 turn washerless ceramic disc valve cartridges - reversible for use with either lever or cross handles. Brass 22mm (7/8") diameter swivel spout. Metal escutcheon plate (escutcheon size 10"L x 2-3/8"W). Color-matched hand spray. One-half inch male inlet shanks with brass coupling nuts. 2.2 gpm/8.3 L/min. maximum flow rate.

**PRODUCT FEATURES:**

**Ceramic Disc Valve Cartridges:** Assures a lifetime of drip-free performance.

**Brass Construction and Cast Brass Waterway:** Durable - Excellent in high use applications. Ideal for prolonged contact with water.

**Larger Spout:** Increased spout height, reach and diameter.

**Low Lead:** Meets NSF Standard 61/Section 9 & Prop 65 lead requirements.

**Choice of Finishes:** Available in a wide range of durable finishes.

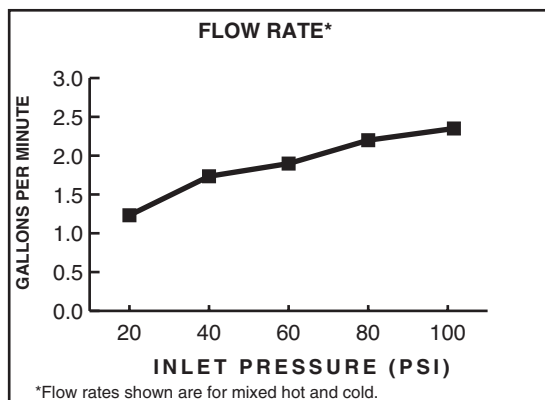
**SUGGESTED SPECIFICATION:**

Two handle top-mount kitchen faucet shall feature brass construction with all brass inlet shanks and coupling nuts. Brass swivel spout. Shall also feature 1/4 turn washerless ceramic disc valve cartridges that are reversible for use with cross or lever handles. Faucet shall be American Standard Model # \_\_\_\_\_.

**CODES AND STANDARDS**

These products meet or exceed the following codes and standards:

- ASME A112.18.1**
- CSA B 125**
- NSF 61/Section 9**



Product Number	Description	Finish Options*					
		Polished Chrome	PVD Polished Brass	White Heat	PVD Satin Nickel	PVD Satin/Brass Mix.	Chrome /PVD Brass Mix.
		002	099	208	295	297	299
4771.702	Kitchen faucet. Color-matched Handspray. Porcelain cross handles.			N/A		N/A	N/A
4770.702	Kitchen faucet. Less handspray. Porcelain cross handles.			N/A		N/A	N/A
4771.712	Kitchen faucet. Color-matched Handspray. Porcelain lever handles.			N/A		N/A	N/A
4770.712	Kitchen faucet. Less handspray. Porcelain lever handles.			N/A		N/A	N/A
4771.722	Kitchen faucet. Color-matched Handspray. Metal cross handles.						
4770.722	Kitchen faucet. Less handspray. Metal cross handles.						
4771.732	Kitchen faucet. Color-matched Handspray. Metal lever handles.						
4770.732	Kitchen faucet. Less handspray. Metal lever handles.						

**N/A = NOT AVAILABLE**

Meets the American Disabilities Act Guidelines and **ANSI A117.1** Requirements for the physically challenged.

**\*EverClean™ Finish:**

- Offered on Polished Chrome (002), Polished Brass (099) and Satin Nickel (295) finish. (and any combination of these finishes)
- One wipe effortlessly removes spots.
- Eliminates the need for cleaners and scrubbing.