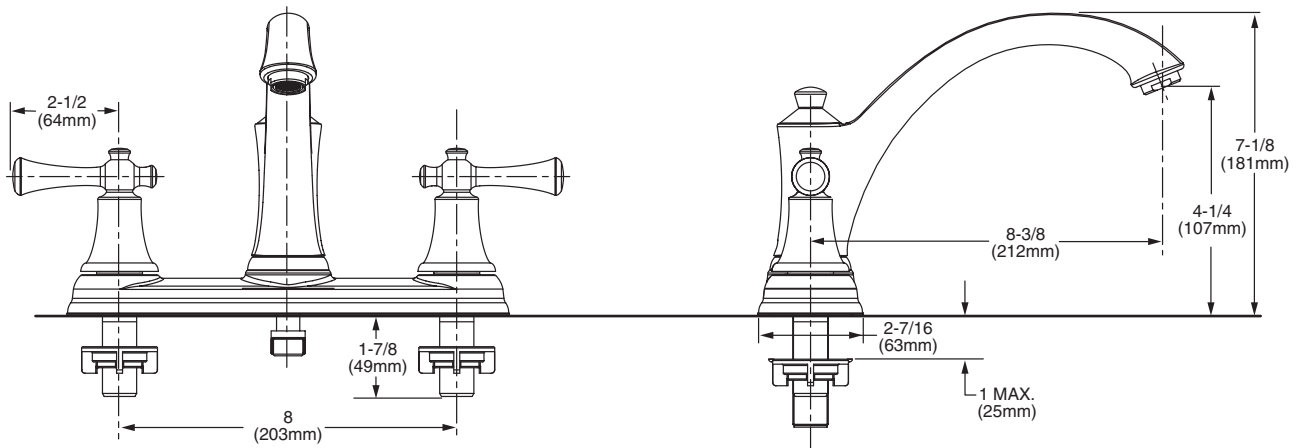


4048 Shown.

**MODEL NUMBER:**

- ❑ **4048 Kitchen Faucet**  
Metal Lever Handles. Less Handspray.  
Polished Chrome finish.



**GENERAL DESCRIPTION:**

Kitchen faucet on 8" centers. 1/4 turn washerless ceramic disc valve cartridges - reversible for use on either "hot" or "cold" side. Durable cast brass waterway with 1/2" male inlet shanks. 8-3/8 (212mm) long cast brass swivel spout. Metal escutcheon plate (escutcheon size 10-7/16"L x 2-7/16"W). 2.2gpm/8.3L/min. maximum flow rate. Metal lever handles.

**PRODUCT FEATURES:**

**Ceramic Disc Valve Cartridges:** Assures a lifetime of smooth handle operation and drip-free performance.

**Cast Brass Waterways with:** Strong and durable. Integral tabs on casting provide a wobble-free installation.

**Low Lead:** Meets NSF Standard 61/Section 9 & Prop 65 lead requirements.

**Simple Installation:** Fast and easy one person installation. Faucet drops in from top. Quick spin nuts secure faucet in place.

**Choice of Finishes:** Lifetime finishes won't tarnish or scratch.

**Lifetime Warranty:** On function and finish.

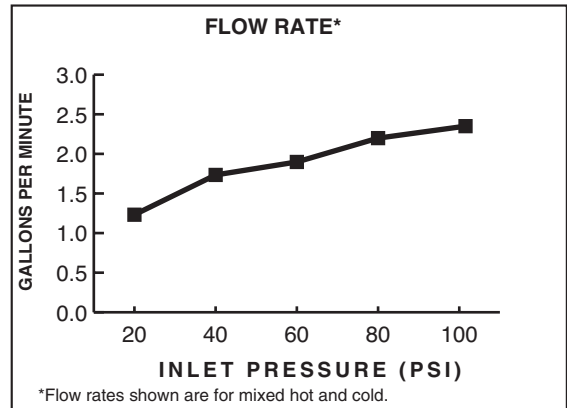
**SUGGESTED SPECIFICATION:**

Two handle kitchen faucet shall feature a cast brass waterway and cast brass swivel spout. Shall also feature 1/4 turn washerless ceramic disc valve cartridges that are reversible for use on either "hot" or "cold" side. Fitting shall be American Standard Model # 4048.

**CODES AND STANDARDS**

These products meet or exceed the following codes and standards:

- ASME A112.18.1**
- CSA B 125**
- NSF 61/Section 9**
- ANSI A117.1**



Product Number	Description
4048	Kitchen faucet. Metal Lever handles. Less Handspray. Polished Chrome finish.



Meets the American Disabilities Act Guidelines and **ANSI A117.1** Requirements for the physically challenged.