

American Standard

Culinaire™

**Single Control Kitchen Faucet
and Deluxe Pull-Out Spray
with EverClean™ Finish**

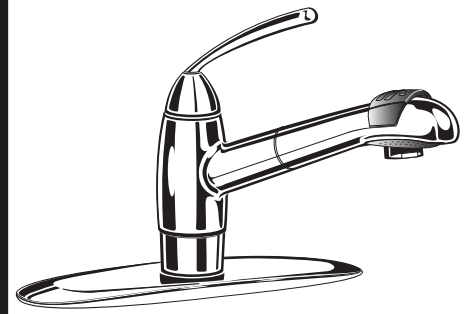
**Congratulations on purchasing your American Standard faucet with
EverClean finish found only on American Standard faucets.**

EverClean Finish

- One wipe effortlessly removes spots
- Eliminates the need for cleaners and scrubbing
- Permanent surface protectant remains beautiful for the life of the faucet
- EverClean™ available on: Polished Chrome, Satin Nickel, Stainless Steel, Polished Brass (or any combination of these finishes)

To ensure that your installation proceeds smoothly-please read these instructions carefully before you begin.

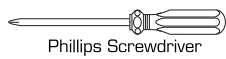
**Installation
Instructions
4137.100**



Certified to comply with ANSI A112.18.1M

M968208 REV. 1.1

TOOLS REQUIRED



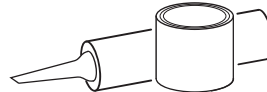
Phillips Screwdriver



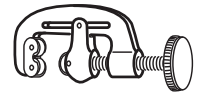
Channel Locks



Adjustable Wrench



Plumbers' Putty or Caulking

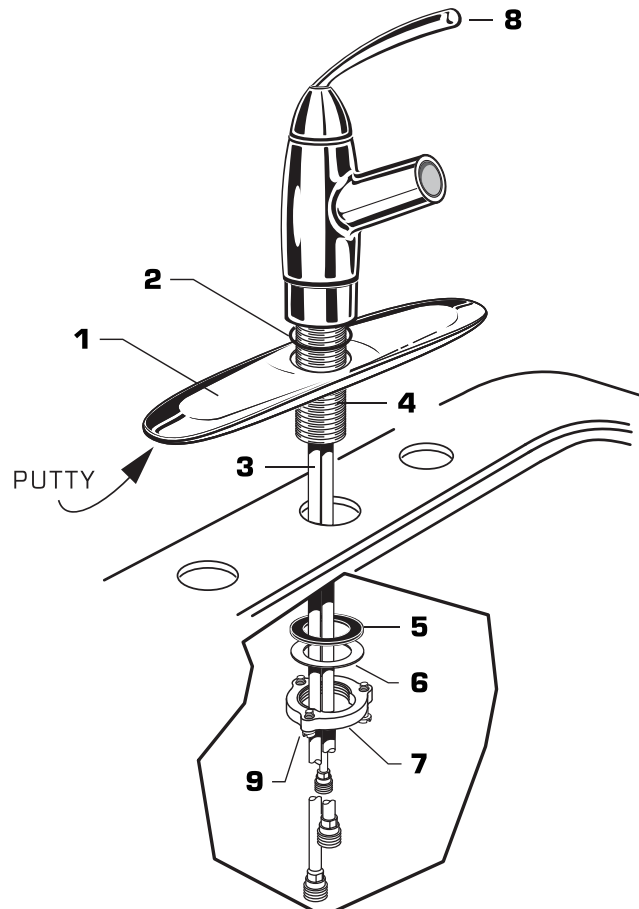


Tubing Cutter

1 INSTALL FITTING WITH OR WITHOUT DECK ESCUTCHEON

CAUTION Turn off hot and cold water supplies before beginning.

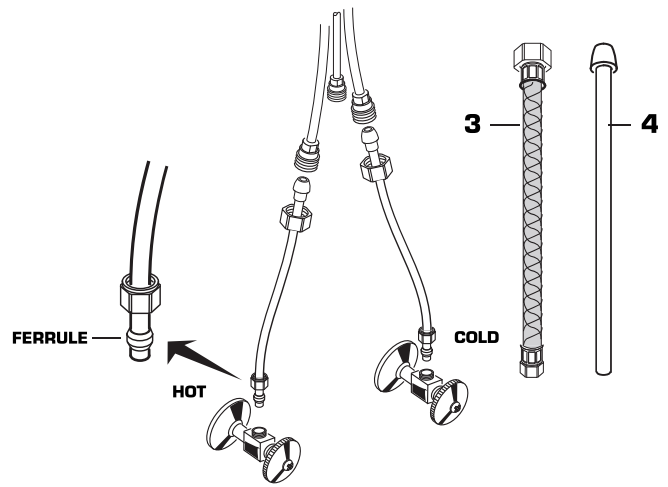
- Apply a bead of putty to bottom edge of ESCUTCHEON (1). **Note:** Installation of ESCUTCHEON (1) is optional.
- Make certain the large O-RING (2) is properly seated in recess of faucet body.
- Insert supply TUBES (3) and SHANK (4) through center hole of ESCUTCHEON (1) (if used) and sink.
- Assemble RUBBER WASHER (5), BRASS WASHER (6), and threaded LOCKNUT (7) onto SHANK (4) from underside of sink. Hand tighten LOCKNUT (7) and check that rotation of HANDLE (8) from HOT to COLD is centered. Use a screwdriver to tighten the SCREWS (9) on LOCKNUT (7). Work your way around LOCKNUT (7), tightening the screws slightly each time until all are snug to ensure even pressure.



2 MAKE WATER SUPPLY CONNECTIONS

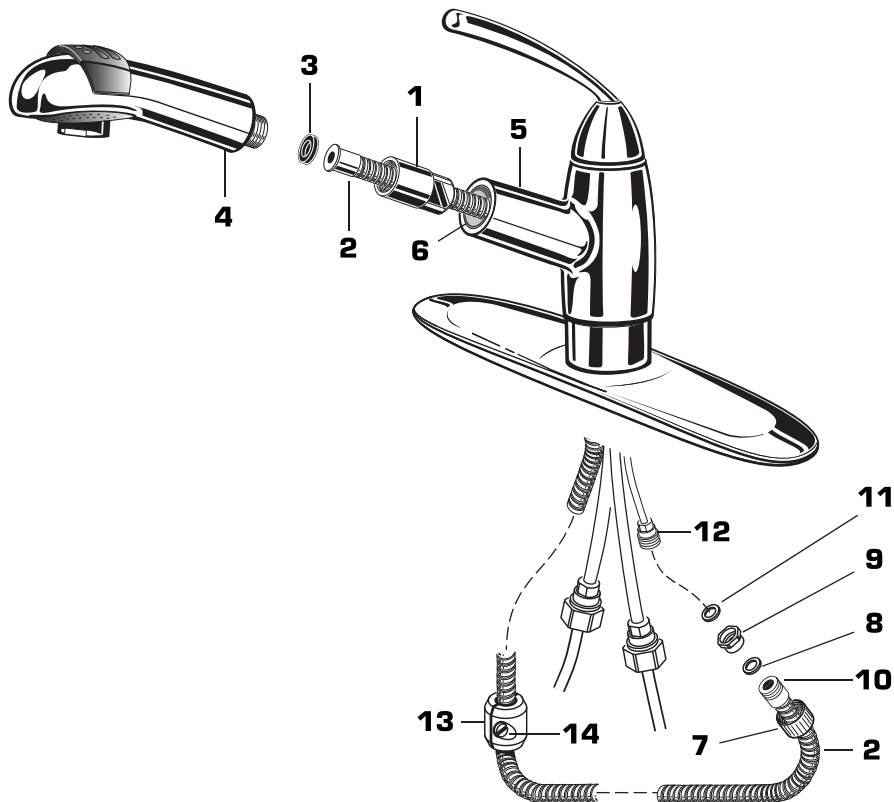
NOTE: FLEXIBLE SUPPLIES HAVE TO BE PURCHASED SEPARATELY

- Carefully bend COPPER SUPPLIES to meet water supply lines using the palms of the hands to avoid kinking.
- Connect HOT water supply line to left tube, and COLD water supply line to right tube using appropriate connectors.
- Use 1/2" IPS FLEXIBLE SUPPLIES (3) or 3/8" O.D. BULL-NOSE RISERS (4). Use adjustable wrench to tighten connections. Do not over tighten. Be careful not to kink copper supply when bending. Use tubing cutter to cut to proper length.



3 CONNECT SPRAY HOSE

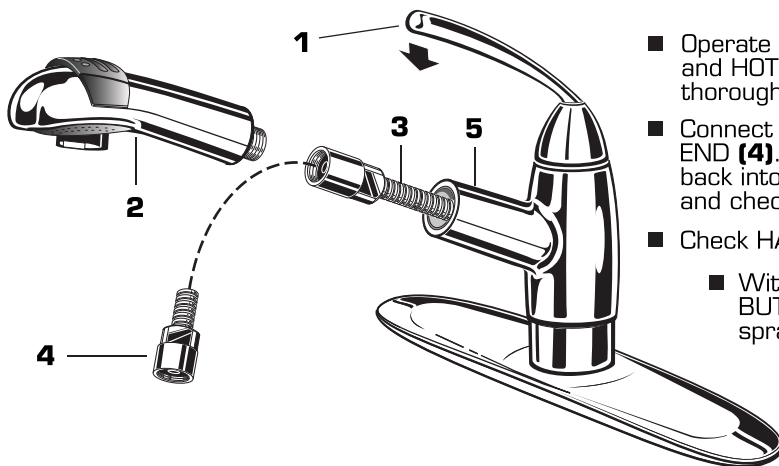
- Slide COUPLING NUT (1) onto HOSE (2).
- Place WASHER (3) into COUPLING NUT (1) on HOSE (2). Thread COUPLING NUT (1) onto HAND SPRAY (4) and tighten.
- Feed small end of HOSE (2) through BODY (5) so HAND SPRAY (4) rests inside SPRAY HOLDER (6).
- Pull KNURLED NUT (7) down over HOSE (2) (thread faces to the small end of the hose).
- Put SMALL RUBBER WASHER (8) in HOSE NUT (9) and screw HOSE NUT (9) onto HOSE END (10) and tighten.
- Pull KNURLED NUT (7) up over HOSE NUT (9). Place WASHER (11) into KNURLED NUT (7). Thread KNURLED NUT (7) onto OUTLET TUBE ADAPTER (12) and tighten.
- With HAND SPRAY (4) seated in SPRAY HOLDER (6), install WEIGHTS (13) onto HOSE (2) using two SCREWS (14). Locate the WEIGHTS (13) two feet (2') from the underside of the sink deck. Tighten SCREWS (14) firmly.



4

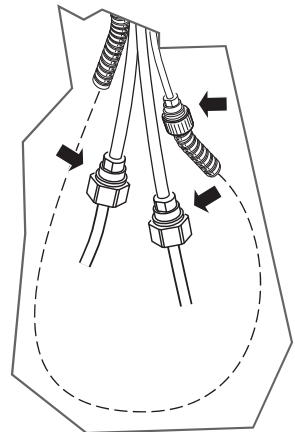
TEST INSTALLED FAUCET

- Move HANDLE (1) down into "off" position.
- Turn on water supplies and check all connections for leaks.
- With HANDLE (1) down in "off" position.
- Pull HAND SPRAY (2) from FAUCET (5) and disconnect HAND SPRAY (2). Pull HOSE (3) (HOSE should pull approximately 2 feet) and direct open HOSE END (4) into sink.



- Operate handle up and down, in COLD and HOT positions, to flush water lines thoroughly.
- Connect HAND SPRAY (2) to HOSE END (4). Place HAND SPRAY (2) back into faucet, operate HANDLE (1) and check all connections for leaks.
- Check HAND SPRAY (2) operation:
 - With faucet on push front of BUTTON for a broad cleansing spray.

CHECK CONNECTIONS FOR LEAKS

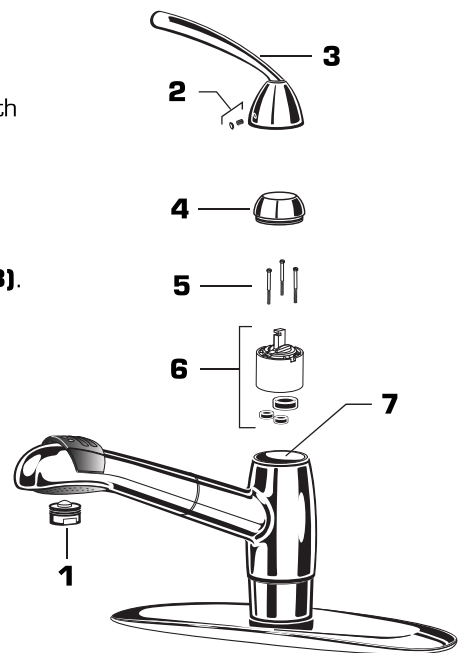


5

SERVICE

Reduced flow. If the flow should gradually be reduced over a number of months, the AERATOR may have debris in it. To clean, remove AERATOR (1) and rinse with water to remove any debris. Turn on faucet to wash any debris out of the faucet. Screw AERATOR (1) back to the spout. Operate faucet.

- **Clogged CARTRIDGE outlets or inlets may cause reduced flow.** To clean, first turn off water supply then:
 - Remove BUTTON (2) and loosen HANDLE SCREW (2) and pull off HANDLE (3).
 - Remove ESCUTCHEON CAP (4) by pulling it upward. Unscrew the three CARTRIDGE SCREWS (5) and remove CARTRIDGE (6).
 - Clean inlets of CARTRIDGE (6) and MANIFOLD (7).
 - Reassemble CARTRIDGE (6), alternately tightening SCREWS (5). Replace CAP (4) and HANDLE (3), check flow.



6

EverClean™ Finish Care Instructions

American Standard's EverClean finish will wipe clean with a soft, dry cloth. A soft cloth with clean water may also be used, if desired. No additional cleaning products are required.

DO NOT USE: Soaps, acid, polish, abrasives, harsh cleaners, or a cloth with a coarse surface.