

American Standard

Installation Instructions

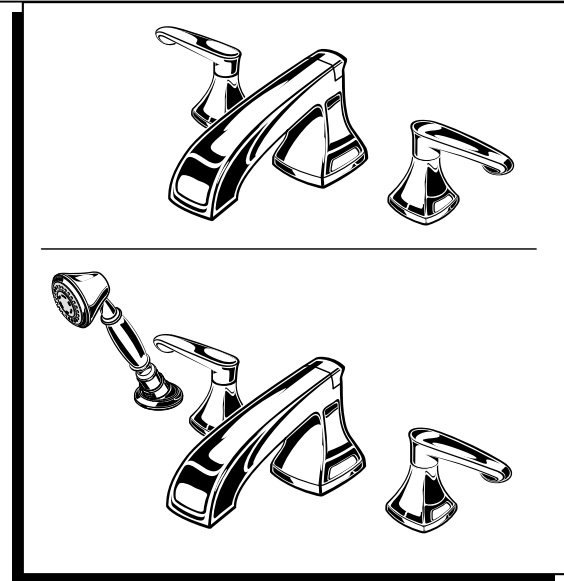
COPELAND
DECK-MOUNT BATH FILLER

7005.900
7005.901

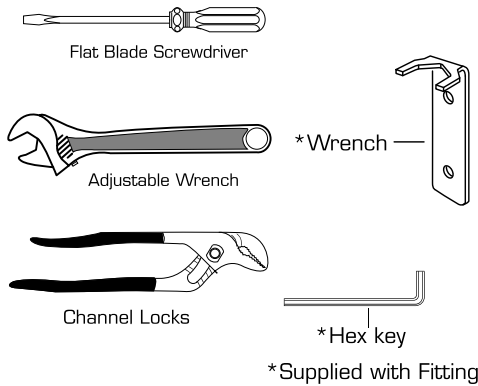
Thank you for selecting American-Standard...the benchmark of fine quality for over 100 years.

To ensure that your installation proceeds smoothly—please read these instructions carefully before you begin.

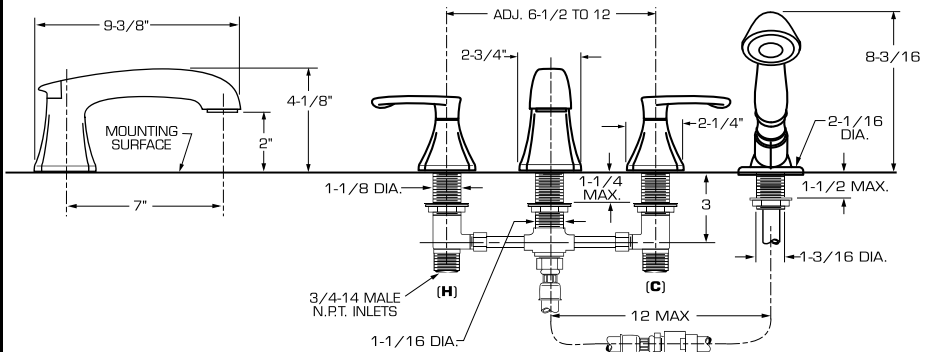
Certified to comply with ANSI A112.18.1M
M968638



Recommended Tools



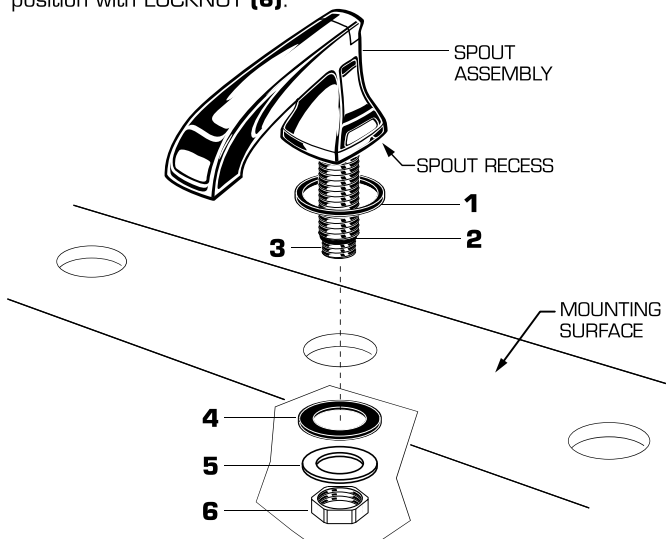
ROUGHING-IN DIMENSIONS



1 SPOUT ASSEMBLY

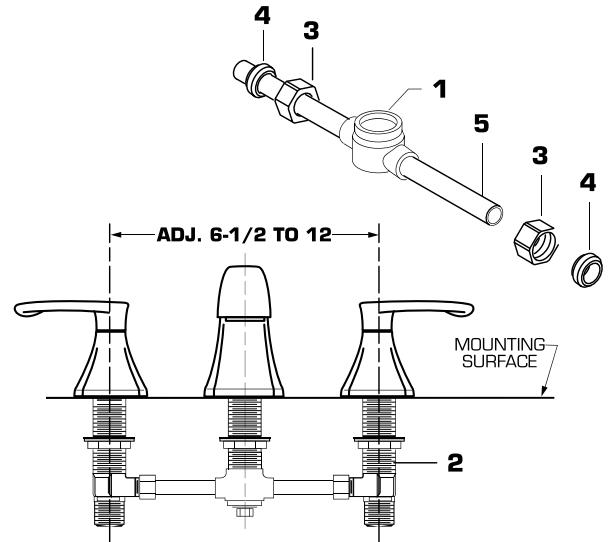
CAUTION Turn off hot and cold water supplies before beginning.

- Install RING WASHER (1) into SPOUT recess. Check that O-RING (2) on end of SPOUT SHANK (3) is in place. Insert SPOUT SHANK (3) through center hole on mounting surface.
- Assemble RUBBER WASHER (4) and BRASS WASHER (5) and LOCKNUT (6) onto SPOUT SHANK (3). Align SPOUT ASSEMBLY and from underside of ledge secure SPOUT ASSEMBLY into position with LOCKNUT (6).



2 PREPARE TUBE AND TEE ASSEMBLY

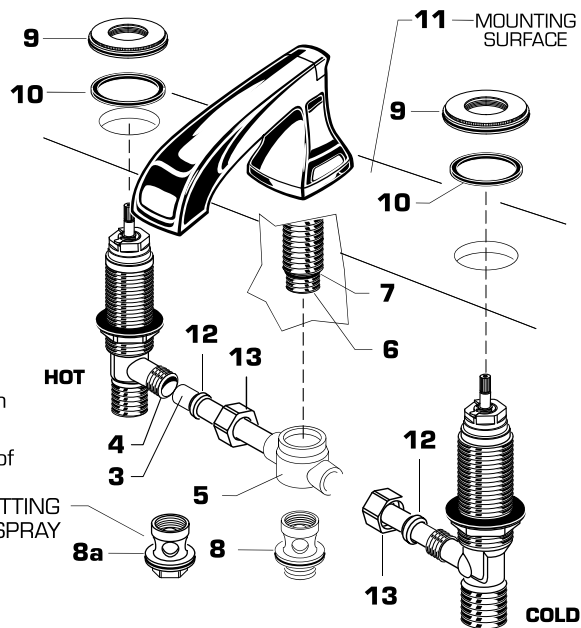
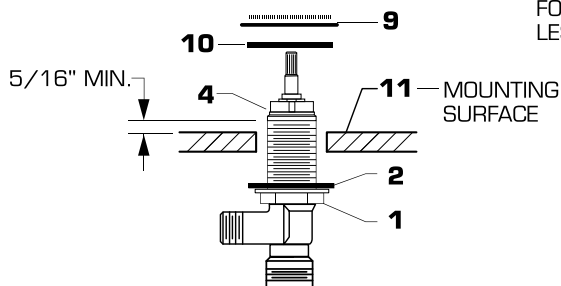
- Prepare TUBE and TEE ASSEMBLY (1) to fit center to center VALVE (2) location (between 6-1/2" and 12"). If necessary, cut and/or bend TUBING carefully. Make sure tube bend is close to the TEE (1) so that it will not effect the compression joint at the VALVE CONNECTION.
- Remove COUPLING NUT (3) and FERRULE (4) from each VALVE (2) and slide onto TUBING (5).



NOTE VALVE inlet is 3/4-inch NPT male.

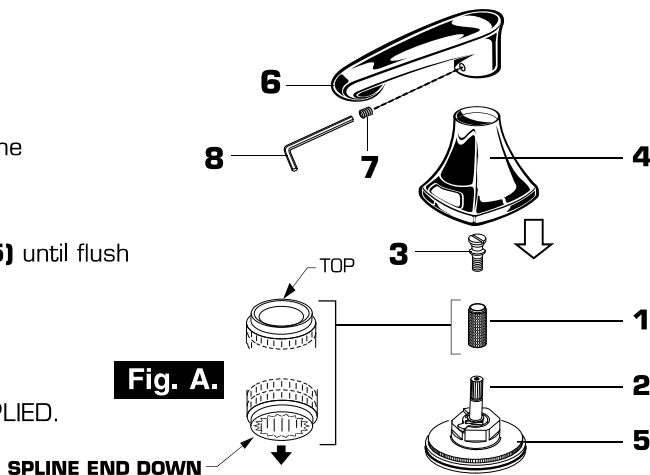
3 VALVE ASSEMBLY

- Install LOCKNUTS (1) and RUBBER WASHERS (2) onto valve shanks.
- Push TUBING (3) ends into VALVE (4) side outlets. Insert VALVES (4) into mounting holes from underside of ledge.
- Press TEE (5) onto SPOUT SHANK (6) making certain that the O-RING (7) is properly seated on SHANK (6). Push COUPLING (8 or 8a) into TEE (5) and attach to SPOUT SHANK (6) and tighten. For 7005.901 use a 10 mm (3/8") hex key.
- Thread of VALVE BODY (4) should extend at least 5/16 inch above MOUNTING SURFACE (11). If necessary, adjust LOCKNUT (1).
- Place RUBBER RING (10) into ESCUTCHEON ADAPTERS (9) and thread onto valves until snug against internal stop.
- Tighten LOCKNUT (1) to secure VALVE (4) position.
- Slide FERRULE (12) and COUPLING NUT (13) to outlet of VALVE (4) and tighten COUPLING NUT (13) firmly.
- Connect HOT water supply to inlet of left VALVE and COLD water supply to inlet of right VALVE using appropriate connector.



4 INSTALL HANDLES

- Push ADAPTER (1) on VALVE STEM (2), so that the hole of the ADAPTER (1) without a spline is facing up. **Fig. A.** Tighten STEM SCREW (3) to secure ADAPTER (1).
- Align HANDLE BASE (4) and push onto HANDLE ADAPTER (5) until flush against mounting surface.
- Find correct position of LEVER HANDLE (6) by adjusting male teeth on ADAPTER (1) to female teeth in HANDLE (6).
- Tighten SET SCREW (7) with 5/64" HEX WRENCH (8) SUPPLIED.

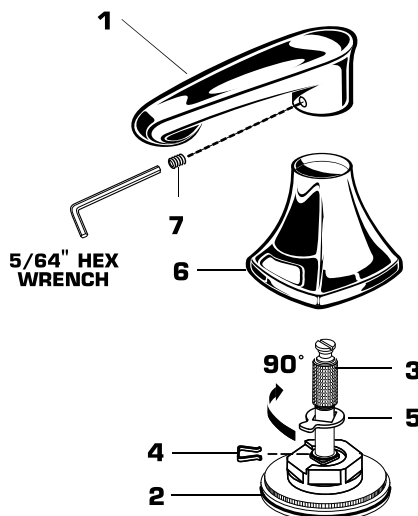


5 SERVICE

To change direction of handle:

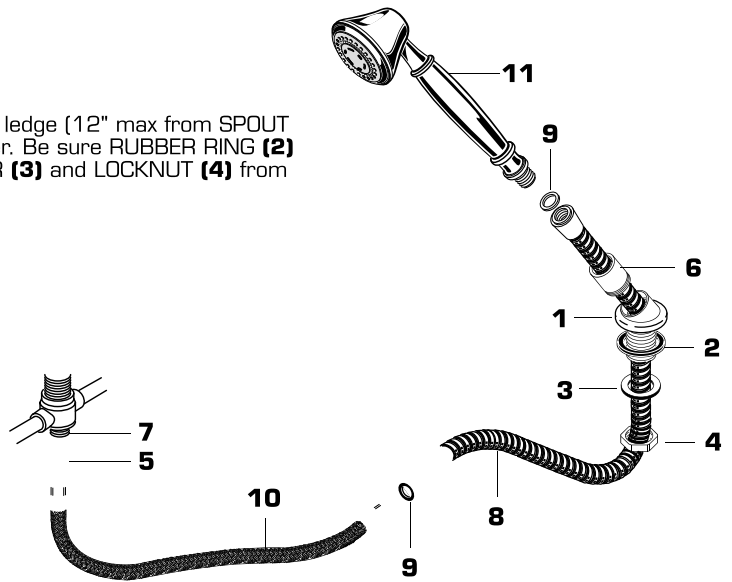
- Turn valve to OFF position
- Remove SET SCREW (7) with 5/64" Hex Wrench.
- Pull HANDLE (1) "UP" firmly to release from ADAPTER (3).
- Pull HANDLE BASE (6) off DECK ADAPTER (2).
- Remove SPRING CLIP (4). Lift STOP WASHER (5), turn 90° and replace. Replace SPRING CLIP (4).
- Re-install HANDLE ASSEMBLY.

If spout drips, operate handles several times from OFF to ON position. Do not force - handles turn only 90°.



6 HANDSHOWER INSTALLATION (FOR MODEL 7005.901 ONLY)

- Drop SPRAY ESCUTCHEON (1) through the fourth hole of the tub ledge (12" max from SPOUT center) with SPRAY ESCUTCHEON (1) directed towards tub center. Be sure RUBBER RING (2) is properly seated in ESCUTCHEON (1). Install RUBBER WASHER (3) and LOCKNUT (4) from underside of ledge.
- Secure SPRAY ESCUTCHEON (1) by tightening LOCKNUT (4).
- Add SEAL WASHER (5) and connect HOSE (10) to outlet nipple at the bottom of TEE (7). Tighten firmly.
- Slip SHOWER HOSE (8) with COUPLING NUT through SPRAY HOLDER (6) and ESCUTCHEON (1). (Note: SPRAY HOLDER (6) must be separate from ESCUTCHEON (1).) Install SEAL (9) and connect both HOSES (8) and (10). INSTALL second SEAL (9) and connect HAND SHOWER (11) to SPRAY HOSE (8).



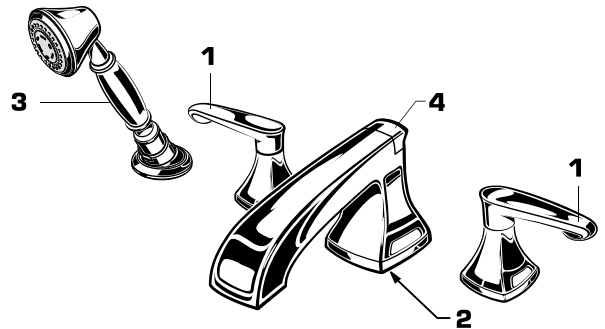
NOTE When not in use, HANDSHOWER should be seated in the HOLDER.

7 TEST INSTALLED FAUCET

- Turn VALVES (1) to "off" position.
- With handles in "off" position, turn on water supplies and check all connections for leaks.
- Operate both handles and flush water lines thoroughly.
- Check SPOUT (2) mounting for leaks.
- Lift HANDSHOWER (3) from holder, direct spray into tub, lift TRANSFER KNOB (4) to check HANDSHOWER (3) and HOSES for leaks.
- Turn VALVES "off."
- If spout drips, operate handles several times from OFF to ON position. Do not force - handles turn only 90°.

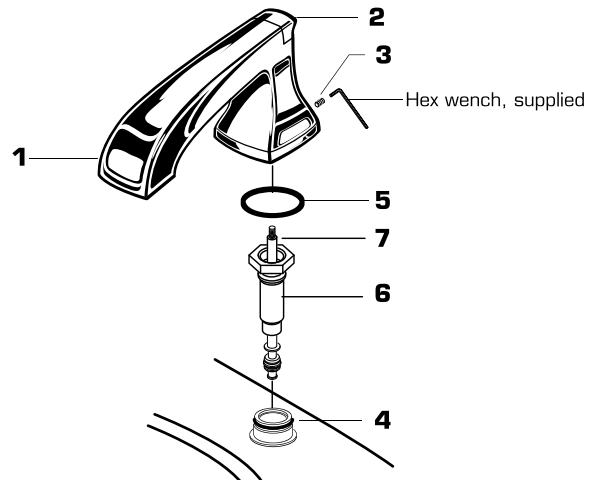
CAUTION

The flow rate of this Tub Filler exceeds 20 gallons/minute at higher water pressure. Do not fill bathtub unattended.



8 Before the bathroom is completely finished, you may want to remove spout, handshower, and handles.

- To remove handles, reverse steps in **STEP 4**.
- To remove SPOUT (1), proceed as follows:
 - Lift KNOB (2) and unscrew from TRANSFER ROD (7).
 - Remove SET SCREW (3) using 5 mm hex wrench supplied.
 - Lift SPOUT (1) off SHANK (4) carefully and remove RUBBER RING (5).
 - Unscrew SHANK SLEEVE (6) and lift TRANSFER ROD (7) from SHANK (4).
 - Reverse sequence to re-install SPOUT (1). Be sure RUBBER RING (5) is properly seated in its recess at the base of SPOUT (1). Make certain SET SCREW (3) is properly aligned and tight so that SPOUT (1) is locked in place.



9 CARE INSTRUCTIONS:

DO: SIMPLY RINSE THE PRODUCT CLEAN WITH CLEAR WATER. DRY WITH A SOFT COTTON FLANNEL CLOTH.

DO NOT: DO NOT CLEAN THE PRODUCT WITH SOAPS, ACID, POLISH, ABRASIVES, HARSH CLEANERS, OR A CLOTH WITH A COARSE SURFACE.



HOT LINE FOR HELP
For toll-free information and answers to your questions, call:
1-800 442-1902
Weekdays 8:00 a.m. to 6:00 p.m. EST
IN CANADA 1-800-387-0369 (TORONTO 1-905-306-1093)
Weekdays 8:00 a.m. to 7:00 p.m. EST
IN MEXICO 01-800-839-12-00

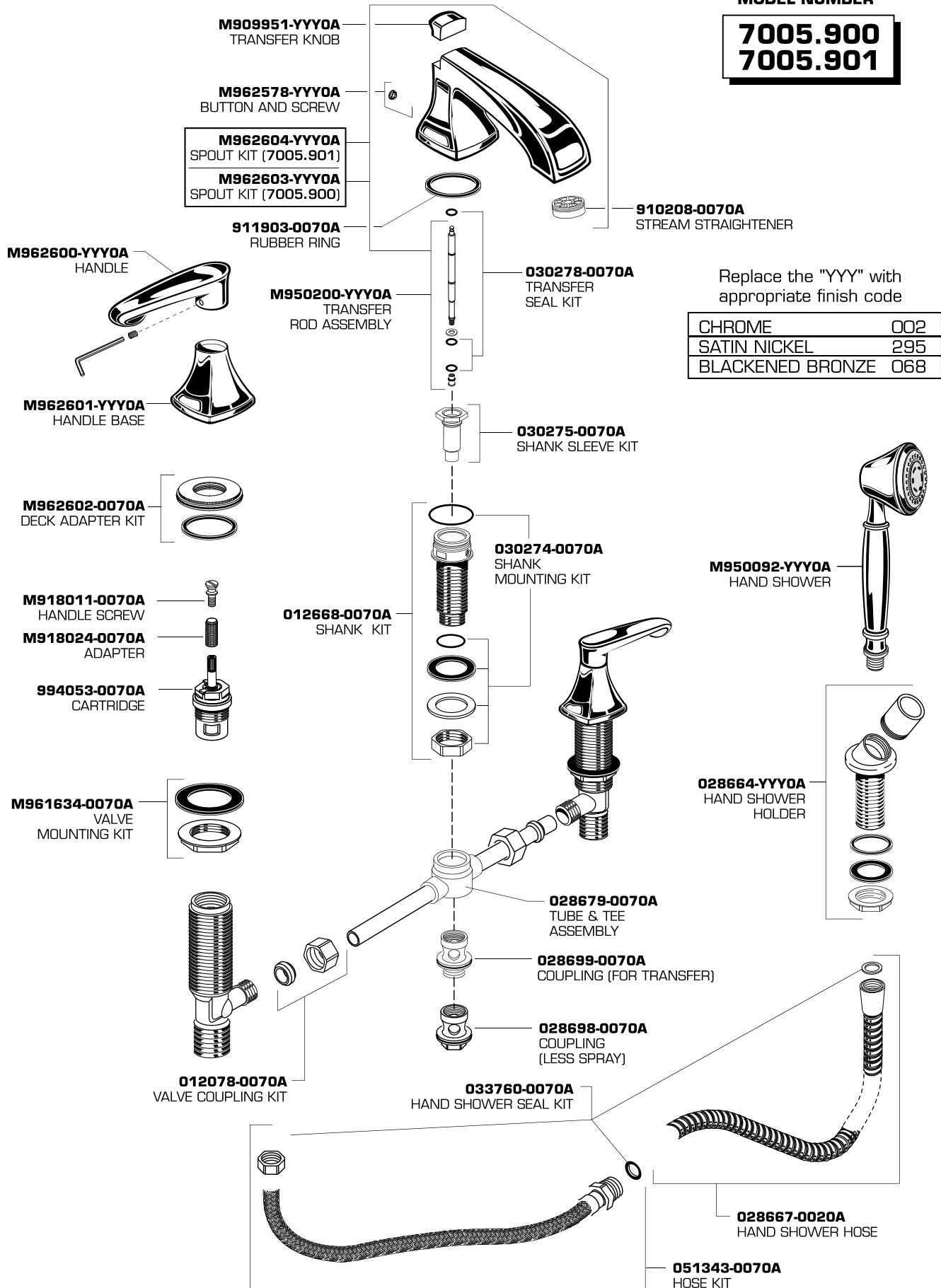
Product names listed herein are trademarks of American Standard Inc.
© American Standard Inc. 2007

M968638

**COPELAND
DECK-MOUNT BATH FILLER**

MODEL NUMBER

**7005.900
7005.901**



Replace the "YYY" with appropriate finish code

CHROME	002
SATIN NICKEL	295
BLACKENED BRONZE	068