

BORDEAUX™ VANITY

❑ 9532.200 Bordeaux Vanity

- Made from Alder solids with Cherry veneers
- European French Country bow front chest vanity with matching wood top
- Optional Marble top pre-cut for Ovalyn undercounter drilled with 8" faucet holes
- Aged Chestnut with a hand-distressed finished and antiqued brass hardware in bronze
- Features curved interior adjustable shelves
- Right Height™ for greater comfort during use

Nominal Dimensions:

32-3/8" x 21-1/4" (822 x 540mm)

35-5/8" (905mm) height (w/Wood top)

35-3/4" (908mm) height (w/Marble top)

❑ 9586.101 Bordeaux Mirror

- Solid Alder wood frame and mirror compliments Bordeaux Vanity

Nominal Dimensions:

26-1/8" x 38-1/4"

(664 x 972mm)

SEE REVERSE SIDE FOR ROUGHING-IN DIMENSIONS

To Be Specified (Recommended Sinks for Wood Top):

❑ 0575.000 Coventry

❑ 0573.000 Sebring

To Be Specified (Optional):

❑ 9532.495 Marble top pre-cut for Ovalyn undercounter drilled with 8" faucet holes

❑ 0495.221 Ovalyn undercounter sink required for Marble top (specify color)

❑ Faucet*: Variety of American Standard faucets are available (specify finish)

*See faucet section for available models



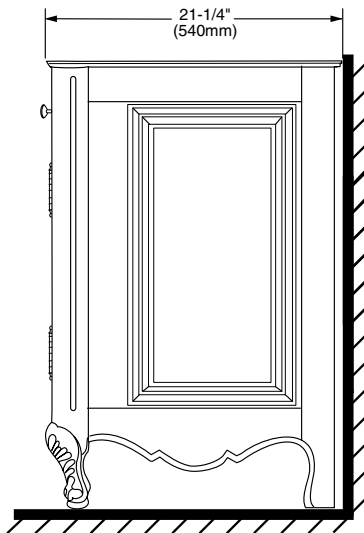
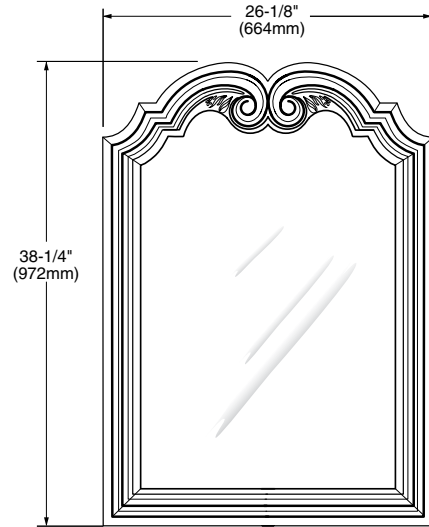
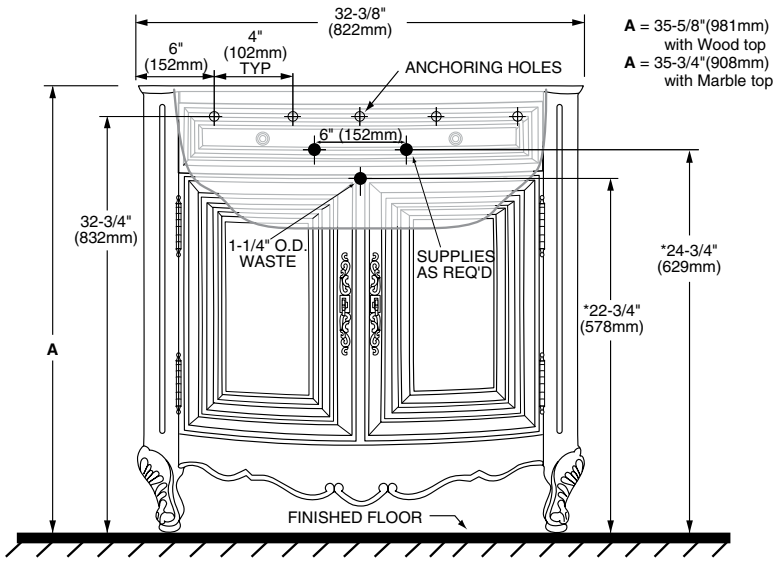
9532.200 Bordeaux Vanity shown with optional River Sand Marble top, Ovalyn undercounter and Amarillis Jasmine faucet with metal lever handle.

9586.101 Bordeaux Mirror.



River Sand

NOTE: The above are photographs of the Bordeaux Marble Vanity Top and are to be only used as a guide for selection. Marble is a natural product and as such may vary in shading and texture. Viewing Marble Tops on display at a local American Standard Dealer is recommended.



9532.200 Bordeaux Vanity with Wood Top

9586.101 Bordeaux Mirror.

NOTES:

* DIMENSIONS SHOWN FOR LOCATION OF SUPPLIES AND "P" TRAP ARE SUGGESTED.
- FITTINGS NOT INCLUDED AND MUST BE ORDERED SEPARATELY.
PROVIDE SUITABLE REINFORCEMENT FOR ALL WALL SUPPORTS.

IMPORTANT: Dimensions of fixtures are nominal and may vary within the range of tolerances established by ANSI Standard A112.19.2. These measurements are subject to change or cancellation. No responsibility is assumed for use of superseded or voided pages.