

**ACRYLUX 60" x 32" BATH KIT**

**Bath Kit With Walls:**

- 6032Y1K.102 Bath Kit With Walls, Right Drain
- 6032Y1K.202 Bath Kit With Walls, Left Drain

**Includes the following components:**

**Bath Features:**

- 6032Y1 Bathtub
- High-gloss acrylic-capped ABS with fiberglass reinforcement
- Integral apron with tiling flange

**Nominal Dimensions:**

59-7/8" x 32" x 18"  
(1521 x 813 x 457mm)

**Door Features:**

- 6000Y1.BE5.213 By-Pass Bath Door
- Tempered safety glass
- Silver Shine frame finish
- Rain privacy glass

**Nominal Dimensions:**

57-1/2" to 59-1/2" x 58-3/16"  
(1461 to 1511 x 1483mm)

**Wall Set Features:**

- 6032Y1.BW Bath Wall Set
- High-gloss acrylic-capped ABS with fiberglass reinforcement
- Mounts directly to studs
- Caulk-less installation

**Nominal Dimensions:**

60" x 32" x 60" tall  
(1524 x 813 x 1542mm)

**Bath Kit Without Walls:**

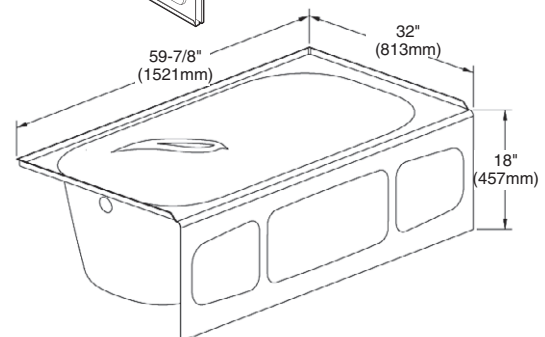
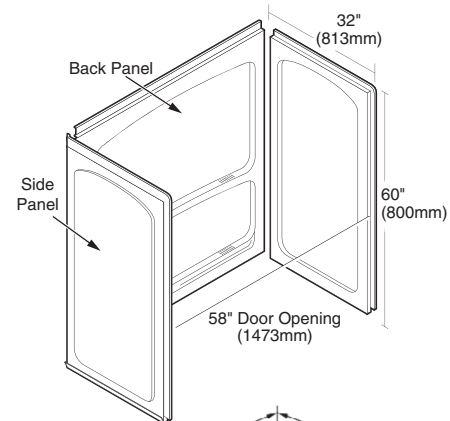
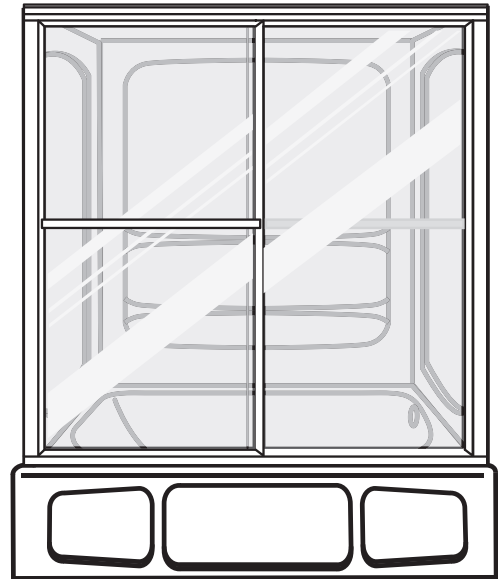
- 6032Y1KB.102 Bath Kit Without Walls, Right Drain
- 6032Y1KB.202 Bath Kit Without Walls, Left Drain

- Same as above but without wall set

**Compliance Certifications -**

**Meets or Exceeds the Following Specifications:**

- ANSI Z97 for Safety Glazing Materials
- ANSI Z124.1.2 for Plastic Bathtubs and Shower Units
- ASTM E162 for Flammability
- NFPA 258 for Smoke Density



**STUD LAYOUT**

