

**MODEL NUMBER:**

**TRIM KITS:**

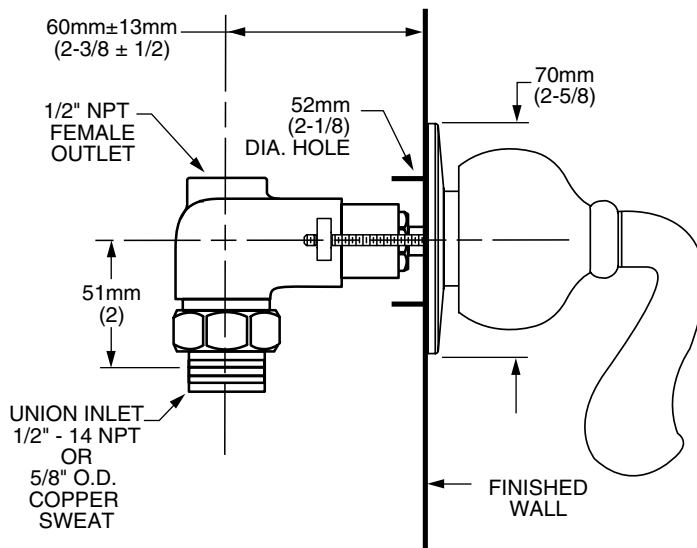
- T000.431 On/Off & Volume Control Valve Trim**  
Valve Trim ONLY. With Lever handle. LESS Valve.

**ROUGH VALVE BODIES:**

- R701 On/Off & Volume Control Valve Rough**  
1/2" inlet/outlet. Less handle.
- R711 On/Off & Volume Control Valve Rough**  
3/4" inlet/outlet. Less handle.

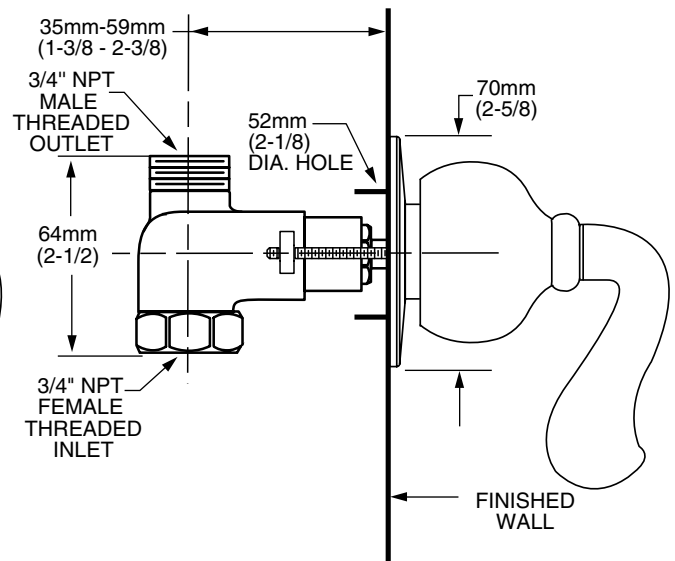
**Model R701**

1/2" NPT



**Model R711**

3/4" NPT



**GENERAL DESCRIPTION:**

Cast brass valve body. Amarilis washerless ceramic disc valve cartridge. Choice of 1/2" or 3/4" NPT inlets and outlets. Trim is brass construction.

**PRODUCT FEATURES:**

**Brass Construction:** Durable - Excellent in high use applications. Ideal for prolonged contact with water.

**Ceramic Disc Valve Cartridge:** Assures a lifetime of drip-free performance.

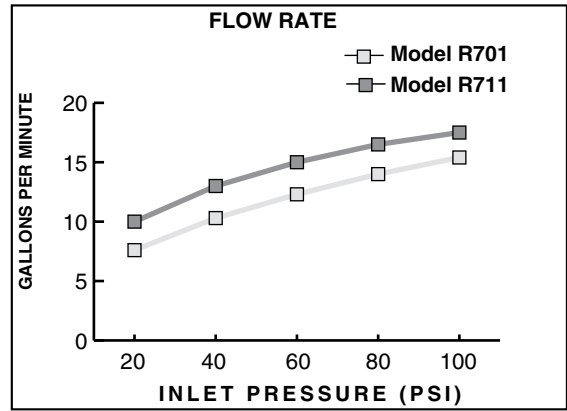
**SUGGESTED SPECIFICATION:**

In-wall single valve shall feature a cast brass valve body. Model R701 shall feature combination 1/2" NPT threaded and direct sweat inlets. 1/2" NPT female outlet. Model R711 shall feature 3/4" female inlet. 3/4" male outlet. Shall also feature 1/4 turn washerless ceramic disc valve cartridges. Trim shall be constructed of brass. Fitting shall be American Standard Model # T000.431.\_\_\_\_ (Trim) and R7\_1 (Rough Valve Body).

**CODES AND STANDARDS**

These products meet or exceed the following codes and standards:

**ASME A112.18.1**  
**CSA B 125**



TRIM KITS**	Product Number	Description	Finish Options		
			Polished Chrome	PVD Blackened Bronze	PVD Satin Nickel
			002	068	295
T000.431	On/Off & Volume Control Valve Trim. Lever handle.				

ROUGH VALVE BODIES	Product Number	Description		
			R701	In-wall single valve. 1/2" inlet/outlet. Less handle.
			R711	In-wall single valve. 3/4" inlet/outlet. Less handle.

**\*\* ROUGHS AND TRIMS MUST BE ORDERED SEPARATELY.**

Meets the American Disabilities Act Guidelines and **ANSI A117.1** Requirements for the physically challenged.