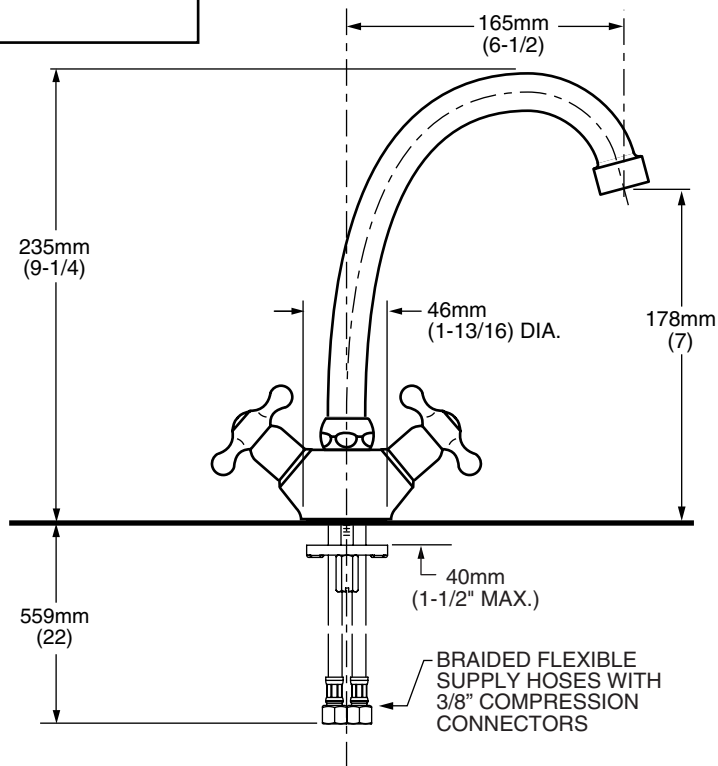




**MODEL NUMBER:**

- ☐ 7191.142 Single Hole Pantry/Bar Sink Faucet  
 Cross handles.



**GENERAL DESCRIPTION:**

Durable brass construction. Amarilis 1/4 turn washerless ceramic disc valve cartridges that are reversible for use on both "hot" and "cold" sides. Cast brass valve bodies. Braided flexible supply hoses with 3/8" compression connections. Threaded brass mounting shank with brass mounting nut. Brass swivel spout. 2.2gpm/8.3L/min. maximum flow rate.

**PRODUCT FEATURES:**

- Ceramic Disc Valve Cartridges:** Assures a lifetime of drip-free performance.
- Brass & Copper Waterway:** Highest quality faucet materials for durability and long life.
- Low Lead:** Meets NSF Standard 61/Section 9 & Prop 65 lead requirements.
- Choice of Finishes:** Wide range of durable finishes.

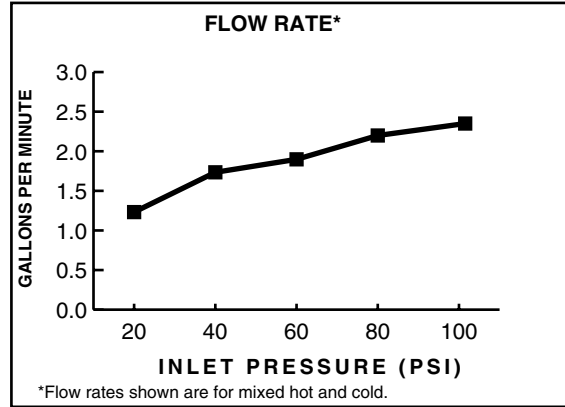
**SUGGESTED SPECIFICATION:**

Two handle pantry/bar sink faucet shall feature a cast brass body, brass swivel spout and brass handles. Shall also feature cast brass valve bodies. Shall also feature 1/4 turn ceramic disc valve cartridges that are reversible for use on both "hot" and "cold" sides. Fitting shall be American Standard Model# 7191.142.\_\_\_\_\_.

**CODES AND STANDARDS**

These products meet or exceed the following codes and standards:

- ASME A112.18.1**
- CSA B 125**
- NSF 61/Section 9**



Product Number	Description	Finish Options					
		Polished Chrome	PVD Stainless Steel	PVD Polished Brass	PVD Satin Nickel	PVD /Satin Brass Mix	P Chrome /Brass (PVD) Mix
		002	075	099	295	297	299
7191.142	Single Hole Pantry/Bar Sink Faucet. Cross handles.						