

### AFFINITY™ COUNTERTOP SINK Americast® Brand Engineered Material

- Acid-resistant porcelain finish
- Large bowl area
- Self-rimming with cutout template supplied
- Chrome overflow trim ring
- Shown with 8871.802 Lexington spread faucet with Fabian handles (not included)

- 3420.001** Center hole only
- 3420.403** Faucet holes on 4" (102mm) centers
- 3420.803** Faucet holes on 8" (203mm) centers (illustrated)

#### Nominal Dimensions:

527 x 445mm  
(20-3/4" x 17-1/2")

#### Bowl sizes:

483mm (19") wide  
292mm (11-1/2") front to back  
178mm (7") deep

Americast® Brand engineered material is a composition of porcelain bonded to enameling grade metal, bonded to a patented structural composite.

#### Compliance Certifications -

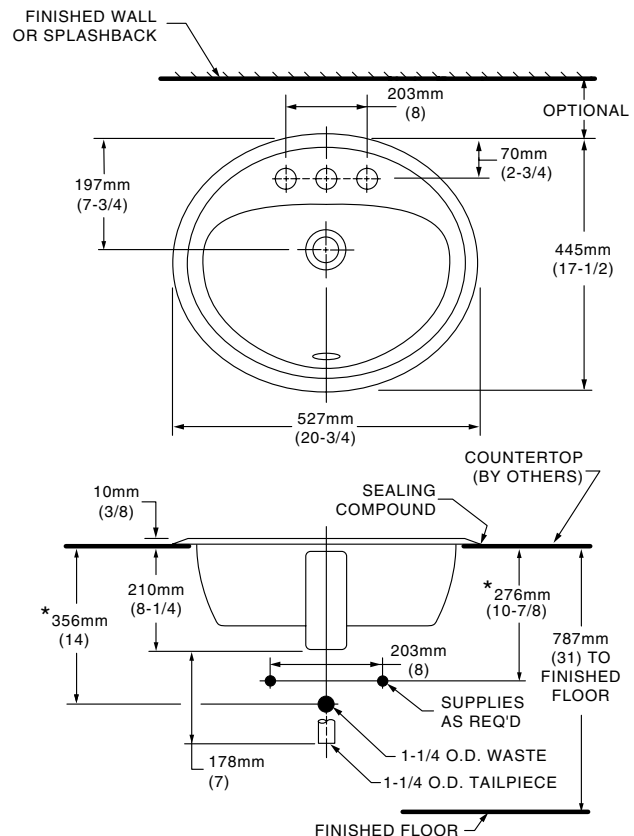
#### Meets or Exceeds the Following Specifications:

- ASME A112.19.4M for Americast Plumbing Fixtures
- ASTM E162 for Flammability
- NFPA 258 for Smoke Density

#### To Be Specified:

- Color:  White  Bone  Linen  
 Silver  Fawn Beige  Black
- Faucet\*:
- Faucet Finish:
- Optional Trim Ring for Overflow:  
790730-101 Polished Brass
- Supplies:
- Trap:

\* See faucet section for additional models available



#### NOTES:

\* DIMENSIONS SHOWN FOR LOCATION OF SUPPLIES AND "P" TRAP ARE SUGGESTED.  
FOR COUNTERTOP CUTOUT AND INSTALLATION INSTRUCTIONS USE TEMPLATE SUPPLIED WITH SINK.  
FITTINGS NOT INCLUDED WITH FIXTURE AND MUST BE ORDERED SEPARATELY.  
SEALING COMPOUND SUPPLIED BY OTHERS.

**IMPORTANT:** Dimensions of fixtures are nominal and may vary within the range of tolerances established by ANSI Standard A112.19.4. These measurements are subject to change or cancellation. No responsibility is assumed for use of superseded or voided leaflet.