

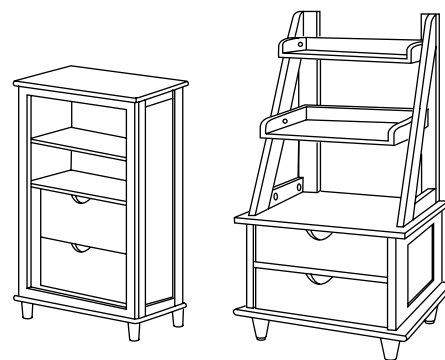
ASSEMBLY & INSTALLATION INSTRUCTIONS



Standard BATH ACCESSORIES Towel and Storage Locker 9442.000 Ladder Bath Cabinet 9443.000

Thank you for selecting our products...products which have been the benchmarks of fine quality for over 100 years. To help insure that the installation process will proceed smoothly, please read these instructions carefully before you begin. Also, review the recommended tools and materials list; carefully unpack and examine your new plumbing fixture.

To maintain the beauty of the finish, avoid placing the furniture in direct sunlight, as sunlight causes fading. Also avoid extreme changes in temperature by arranging furniture away from radiators, heat and air vents, and air conditioning units. Avoid placing furniture directly under windows.



Recommended Tools & Materials

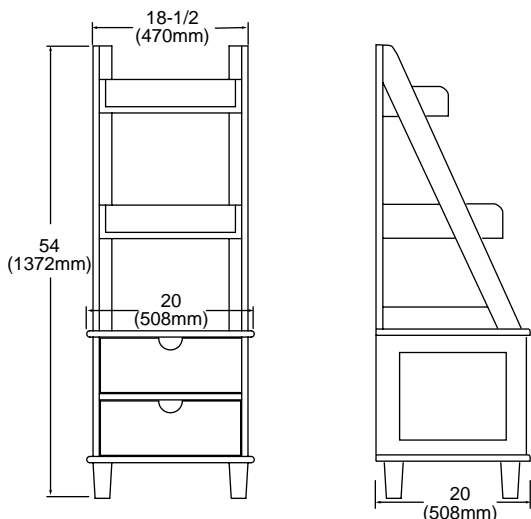
Tape Measure

Phillips Screwdriver

Rubber Mallet

LADDER BATH CABINET 9443.000 Roughing-in Dimensions

Your ladder kit includes the following:



PARTS LIST

CODE	NAME	FIGURE	QTY
1	LOWER STORAGE		1 PC
2	FEET		4 PCS
3	UPPER DISPLAY SHELF		1 PC
4	LOWER DISPLAY SHELF		1 PC
5	RIGHT SIDE LADDER RAIL		1 PC
6	LEFT SIDE LADDER RAIL		1 PC

It is recommended that you allow yourself ample space to work. Assembly is easiest on a smooth, protected surface.

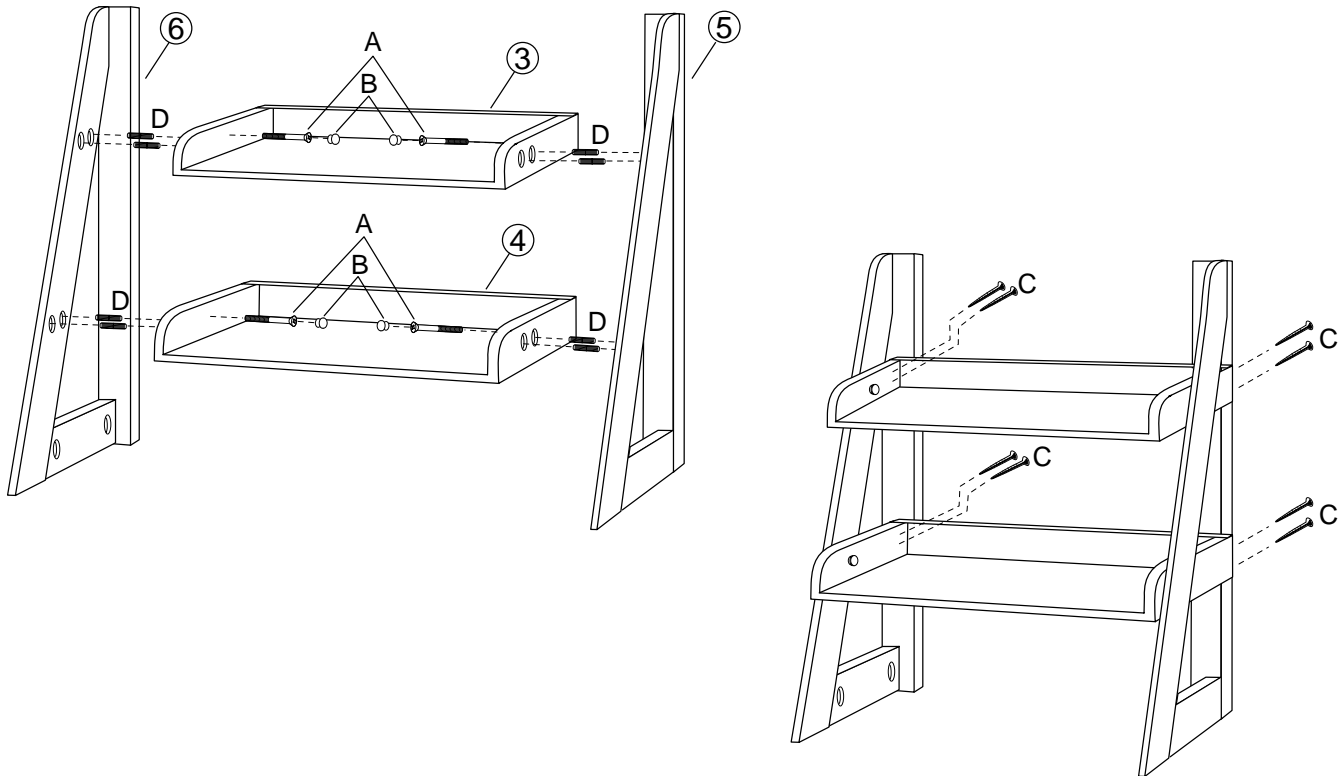
LADDER MOUNTING HARDWARE KIT

CODE	NAME	FIGURE	QTY
A	SCREWS (a)		4 PCS
B	STOPPERS		4 PCS
C	SCREWS (b)		8 PCS
D	DOWELS		12 PCS
E	PLASTIC COVERS		4 PCS
F	CAM LOCKS		4 PCS
G	CAM BOLTS		4 PCS

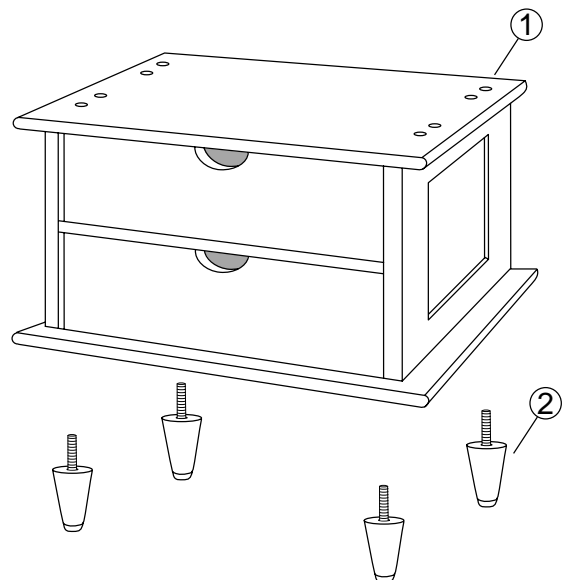
1**Shelving Unit Assembly**

Insert 8 wooden dowels into drilled holes located on the upper and lower shelves. Lay the right side rail flat with the drilled side facing up. Slide the upper and lower shelves into place by inserting the wooden dowels into the drilled dowel holes located on the side ladder rails. Fasten the shelves with 2 large flat head phillips screws. Repeat the last two steps above to attach the left side ladder rail. Conceal the phillips screws with the plastic stoppers. Tap the rubber stoppers into place with a rubber mallet.

Stand the shelving unit upright with the back of the unit facing you. Using 8 phillips screws, secure the side rails to the shelves.

**2****Drawer Unit Assembly**

Screw feet onto base of unit. Stand drawer unit upright.

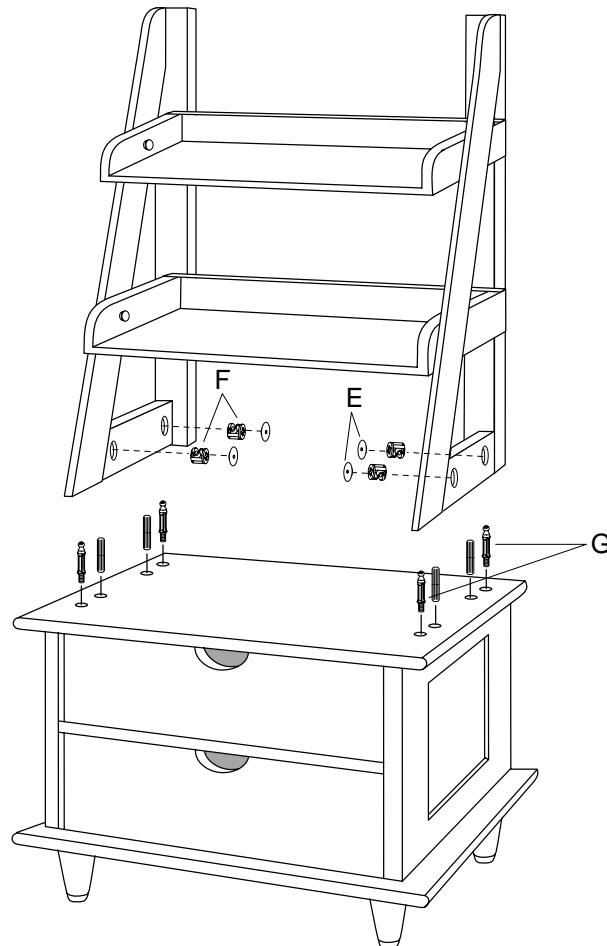


Attach Shelf Unit to Drawer Unit

Insert 4 cam locks into lower support arms located on left and right side rails. Insert 4 wooden dowels and screw 4 cam bolts into drilled holes located on drawer unit top.

Line up the drilled holes on shelf unit base with the wooden dowels and cam bolts. Slide the shelf unit into place. Use a phillips head screw driver to tighten the cam locks. Conceal the cam locks with the plastic covers. Use a rubber mallet to carefully tap the covers into place.

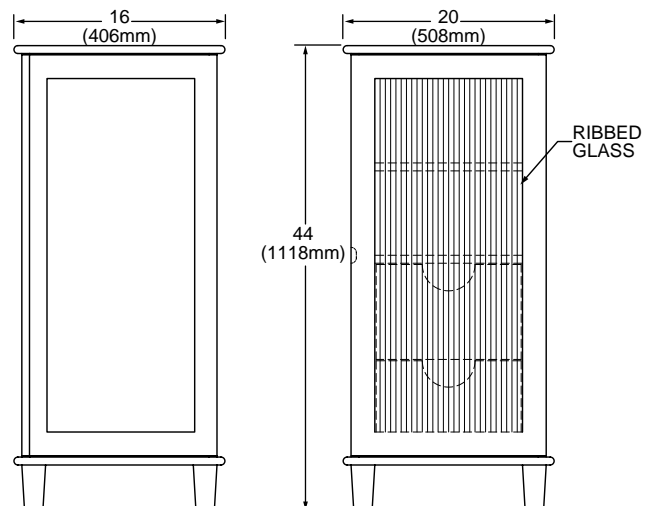
Move the ladder bath cabinet into desired location.



TOWEL AND STORAGE LOCKER 9442.000

Roughing-in Dimensions

Screw feet onto base of locker. Move locker into desired position. Be sure to leave enough room for the swing of the door.



Care and Cleaning

Dust the wood frequently with a clean, soft, dry, lint-free cloth, as well as polish it on a regular basis. Clean the surface by rubbing in the direction of the grain. Use polishes that contain detergents, emulsifiers and mineral oil. Avoid using silicone cleaners and waxes.

Clean up excess water and spills immediately. Use a blotting rather than a wiping action. Water left over a long period of time will cause white spots in the finish.

NOTE: Please note that some chemicals may damage the finish. Take care to avoid the following: iodine, hair dye, shaving cream, after shave lotion, alcohol, perfume, Lestoil®, Lysol Tub and Tile Cleaner®, Lysol Spray Disinfectant®, Dow Disinfectant®, acetone, paint remover, Formula 409®, Tile-X®, and Nair®.

REPAIR PARTS

REPAIR PART NO.	DESCRIPTION	TOWEL & STORAGE LOCKER 9442	LADDER BATH CABINET 9443
730673-A070A	DOOR HINGE	X	
730676-A070A	SHELF CLIPS (4)	X	
730733-0200A	SHELF-WHITE	X	
730733-2950A	SHELF-WARM WALNUT	X	
730734-0200A	DOOR WITH GLASS-WHITE	X	
730734-3290A	DOOR WITH GLASS-WARM WALNUT	X	
730735-0070A	FOOT (SINGLE)	X	X
730736-0200A	LEFT SIDE LADDER RAIL-WHITE		X
730737-0200A	RIGHT SIDE LADDER RAIL-WHITE		X
730738-0200A	UPPER DISPLAY SHELF-WHITE		X
730739-0200A	LOWER DISPLAY SHELF-WHITE		X
730736-3290A	LEFT SIDE LADDER RAIL-WARM WALNUT		X
730737-3290A	RIGHT SIDE LADDER RAIL-WARM WALNUT		X
730738-3290A	UPPER DISPLAY SHELF-WARM WALNUT		X
730739-3290A	LOWER DISPLAY SELF-WARM WALNUT		X
730740-0070A	LADDER MOUNTING HARDWARE KIT		X
730674-A070A	THREADED ADJUSTER FOOT	X	X
730675-A070A	FLOOR GLIDE	X	X

AMERICAN-STANDARD WOOD FURNITURE WARRANTY

If inspection of this American-Standard plumbing product, within one year after its initial purchase, confirms that it is defective in materials or workmanship, American-Standard will repair or, at its option, exchange the product for a similar model. Variations in actual wood color and finishes which may result from natural characteristics of the wood, such as grain patterns, mineral streaks and the like, are not defects and are not covered by this warranty. This warranty applies only to the original purchaser and installation of these products.

This limited warranty does not apply to local building code compliance. Since local building codes vary considerably, the purchaser of this product should check with a local building or plumbing contractor to insure local code compliance before installation.

This warranty shall be void if the product has been moved from its initial place of installation; if it has been subjected to faulty maintenance, abuse, misuse, accident or other damages; if it was not installed in accordance with American-Standard's instructions; or if it has been modified in a manner inconsistent with the product as shipped by American-Standard.

American-Standard's option to repair or exchange the product under this warranty does not cover any labor or other costs of removal or installation, nor shall American-Standard be responsible for any other incidental or consequential damages attributable to a product defect or to the repair or exchange of a defective product, all of which are expressly excluded from this warranty. (Some states or provinces do not allow the exclusion or limitation of implied warranties, so this exclusion may not apply to you).

This warranty gives you specific legal rights. You may have other statutory rights that vary from state to state or province to province, in which case this warranty does not affect such statutory rights.

In the United States:
American Standard Inc.
P.O. Box 6820
Piscataway, New Jersey 08855
Attention: Director of Consumer Affairs

In Canada:
American Standard
2480 Stanfield Rd.
Mississauga, Ontario
Canada L4Y 1S2

In Mexico:
Customer Service Manager
Ideal Standard, S.A. de C.V.
Via Morelos #330
Col. Santa Clara
Ecatepec 55540 Edo. Mexico

For residents of the United States, warranty information may also be obtained by calling the following toll free number: (800) 442-1902

Toll Free: (800) 387-0369