

COMBINATION LABORATORY FITTINGS

Thank you for selecting American-Standard...the benchmark of fine quality for over 100 years. To ensure that your installation proceeds smoothly—please read these instructions carefully before you begin.



7272.821



7272.820



7272.851

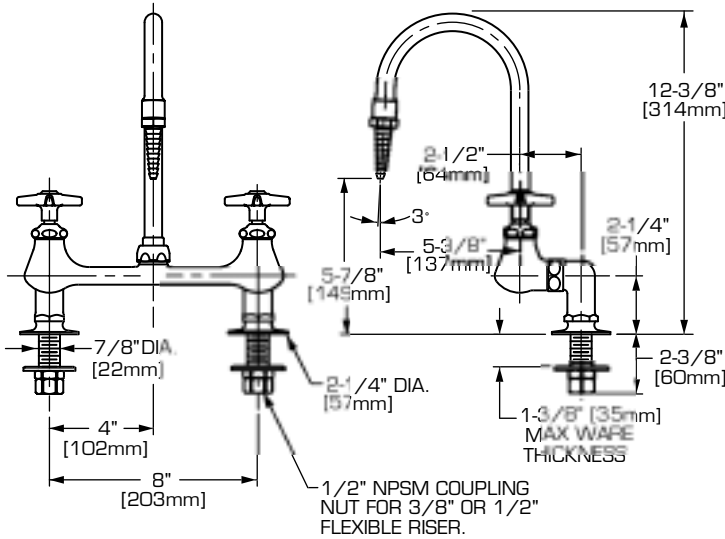


7272.850

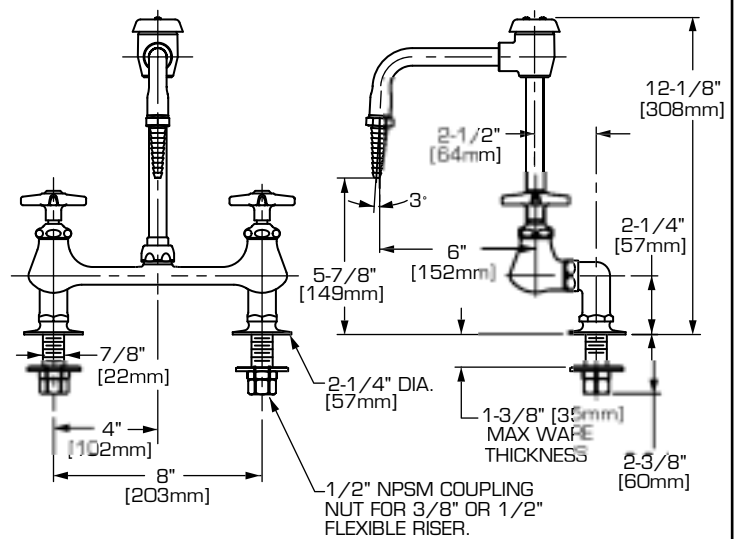
M968488

ROUGHING-IN DIMENSIONS

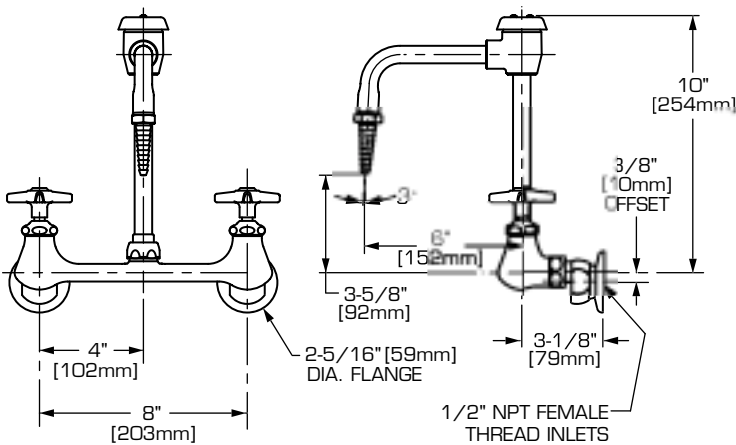
7272.820



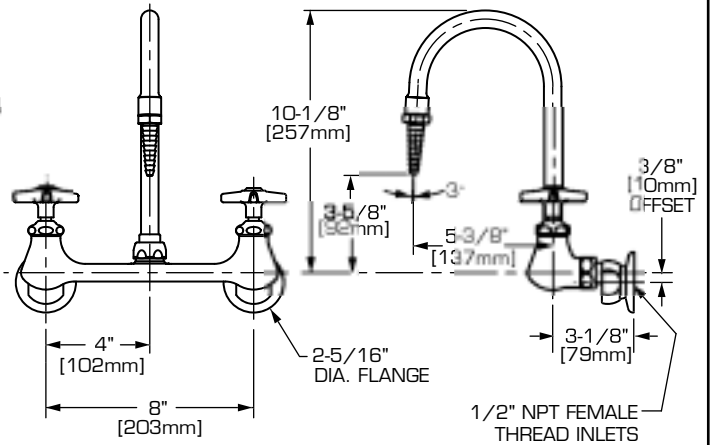
7272.821



7272.851



7272.850



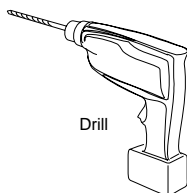
TOOLS AND SUPPLIES REQUIRED



Channel Locks



Adjustable Wrench



Drill



Teflon Tape



Plumbers' Putty or Caulking

1 INSTALL DECK MOUNT LABORATORY FITTINGS

CAUTION

Turn off hot and cold water supplies before beginning.

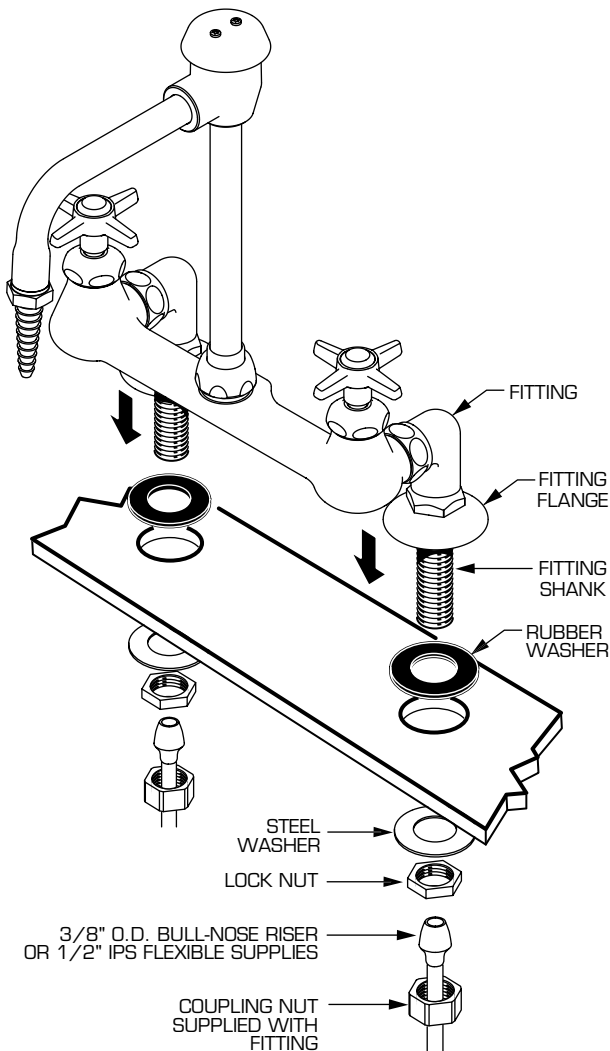
- Drill two 1-1/8" dia. holes in mounting surface if required per rough-in dimensions.
- Assemble **rubber washers** onto **fitting shanks**.
- Insert **fitting shanks** through holes of mounting surface.
- Assemble **steel washers** and **lock nuts** onto **fitting shanks**. Align **fitting** and tighten **lock nuts** securely with wrench.

2 MAKE WATER SUPPLY CONNECTIONS

IMPORTANT: FLUSH ALL SUPPLY LINES PRIOR TO FITTING INSTALLATION.

NOTE: FLEXIBLE SUPPLIES OR BULL-NOSE RISERS MUST BE PURCHASED SEPARATELY.

- Connect water supplies to **faucet** with **3/8" O.D. bull-nose risers** or **1/2" IPS flexible supplies**. Use adjustable wrench to tighten connections. Do not over tighten. Be careful not to kink copper supply when bending. Use tubing cutter to cut to proper length.
- After installation is complete turn service on and check all connections for leaks.



1 INSTALL WALL MOUNT LABORATORY FITTINGS

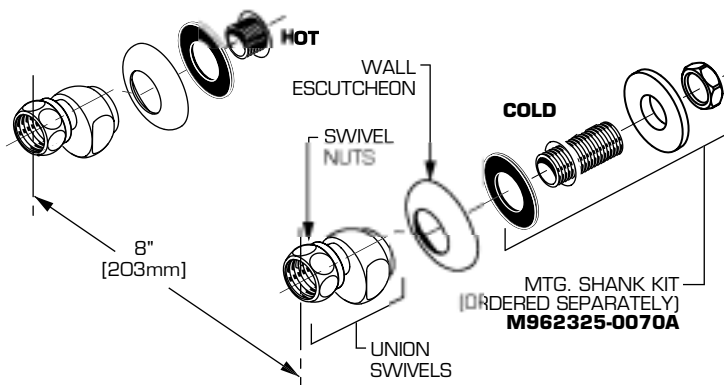
CAUTION

Turn off hot and cold water supplies before beginning.

Note: 7272.850 & 7272.851 Require inlet shank M962325-0070A for installation and must be ordered separately.

- Use appropriate sealant or Teflon Tape on **supply pipe threads**.
- Install **wall escutcheon** onto **union swivel**. Thread **union swivels** with **wall escutcheons** onto hot and cold supply pipes using an adjustable wrench until **wall escutcheons** are flush against finished wall.

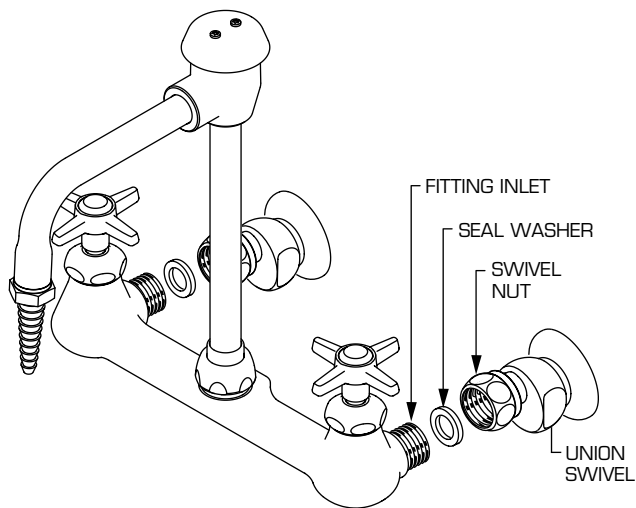
Note: Center to center dimension of swivel nuts are 8" [203mm].



2 MAKE WATER SUPPLY CONNECTIONS

IMPORTANT: FLUSH ALL SUPPLY LINES PRIOR TO FITTING INSTALLATION.

- Align **fitting inlets** to **swivel nuts**, if **swivel nuts** don't align with **fitting** adjust both **union swivels** with adjustable wrench.
- Insert **seal washers** into **swivel nuts** if not already installed. Tighten both **swivel nuts** to make water tight connections.
- Complete installation, turn on water and check for leaks.



CARE INSTRUCTIONS:

DO: SIMPLY RINSE THE PRODUCT CLEAN WITH CLEAR WATER. DRY WITH A SOFT COTTON FLANNEL CLOTH.
DO NOT: CLEAN THE PRODUCT WITH SOAPS, ACID, POLISH, ABRASIVES, HARSH CLEANERS, OR A CLOTH WITH A COARSE SURFACE.

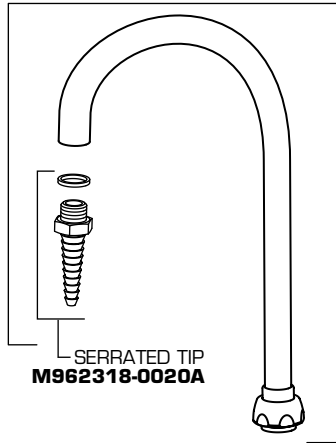
M968488

American Standard

AVAILABLE REPAIR PARTS

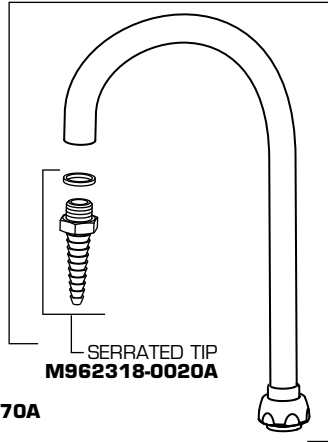
DUEL CONTROL WALL MOUNT LABORATORY FITTINGS

7272.850 (GN Spout)
7272.851 (Vac. Brkr.)



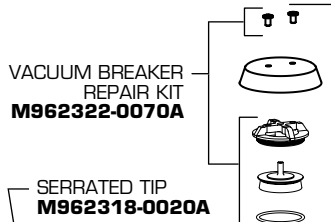
SERRATED TIP
M962318-0020A

G.N. SPOUT
ASSEMBLY
M962316-0070A

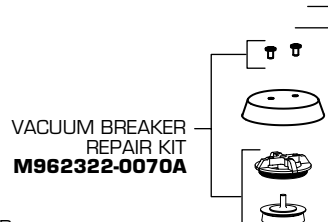


SERRATED TIP
M962318-0020A

G.N. SPOUT
ASSEMBLY
M962316-0070A

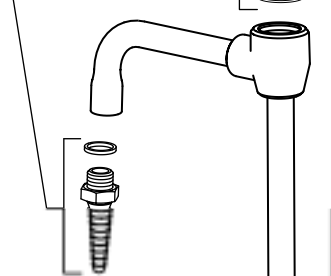


VACUUM BREAKER
REPAIR KIT
M962322-0070A



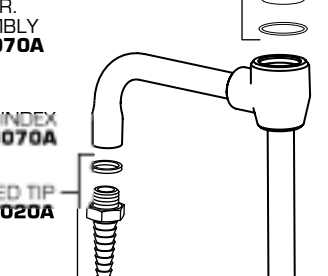
VACUUM BREAKER
REPAIR KIT
M962322-0070A

VACUUM BRKR.
SPOUT ASSEMBLY
M962317-0070A



SERRATED TIP
M962318-0020A

VACUUM BRKR.
SPOUT ASSEMBLY
M962317-0070A



HOT WATER INDEX
M962311-0070A

SERRATED TIP
M962318-0020A

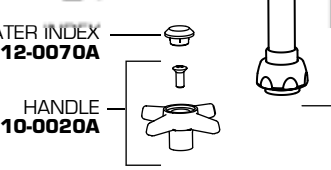
HOT WATER INDEX
M962311-0070A

COLD WATER INDEX
M962312-0070A

HANDLE
M962310-0020A

COLD WATER INDEX
M962312-0070A

HANDLE
M962310-0020A

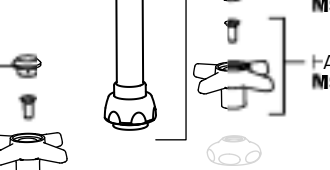


CARTRIDGE
M962330-0070A RH

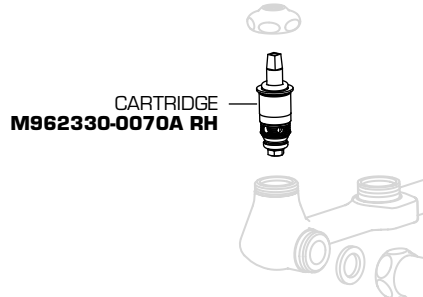


CARTRIDGE
M962329-0070A LH

CARTRIDGE
M962330-0070A RH



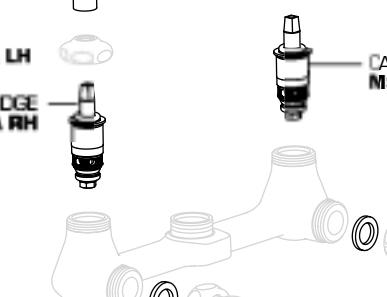
CARTRIDGE
M962329-0070A LH



DUEL CONTROL DECK MOUNT LABORATORY FITTINGS

7272.820 (GN Spout)
7272.821 (Vac. Brkr.)

MTG. SHANK KIT
M962324-0070A



WALL MTG. KIT
M962321-0020A

MTG. SHANK KIT
M962325-0070A



HOTLINE FOR HELP
For toll-free information and answers to your questions, call:
1 (800) 442-1902

Weekdays
8:00 to 7:00 p.m. Eastern Time

CANADA
1-800-387-0369 (TORONTO 1-905-306-1093)